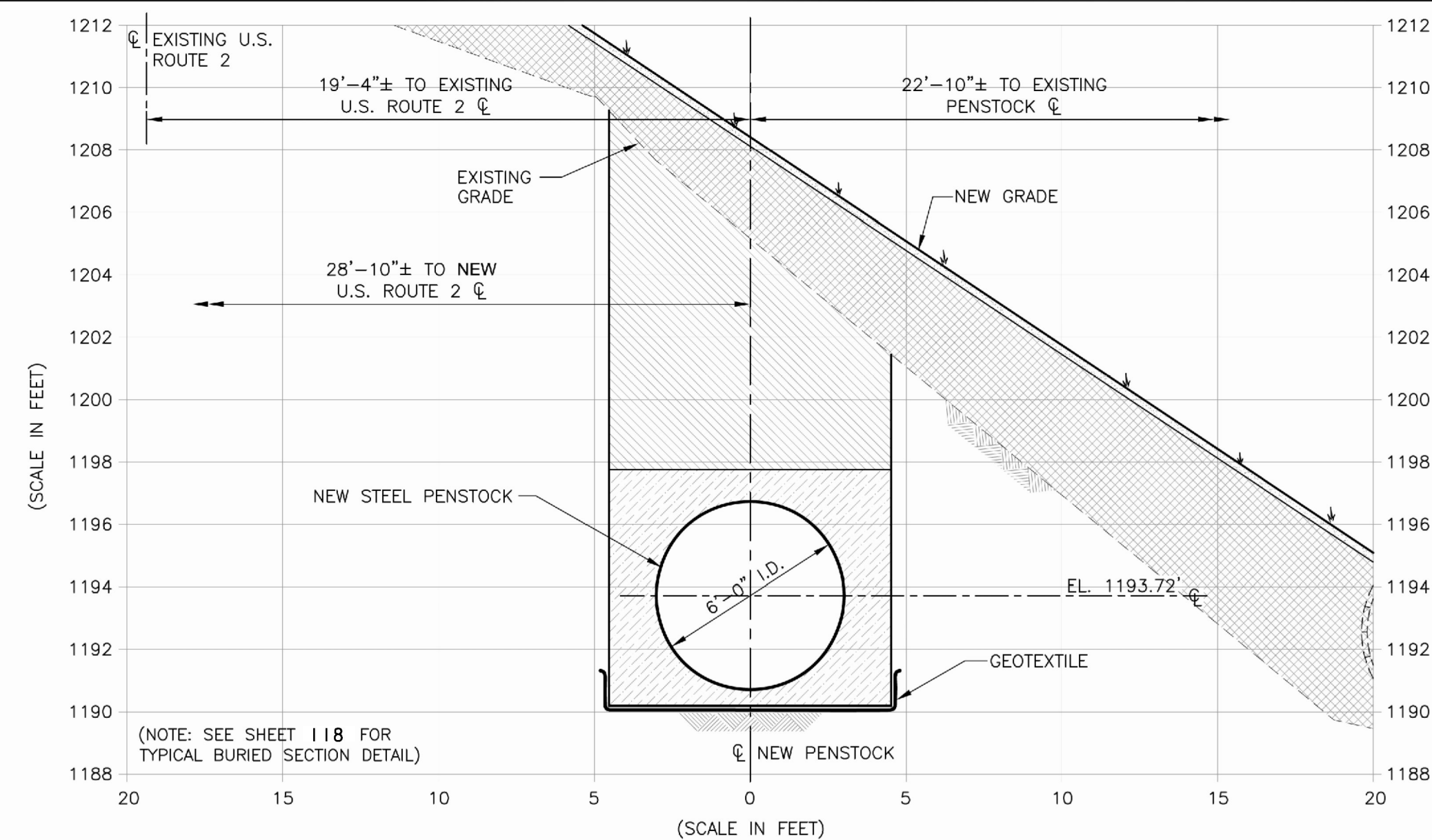
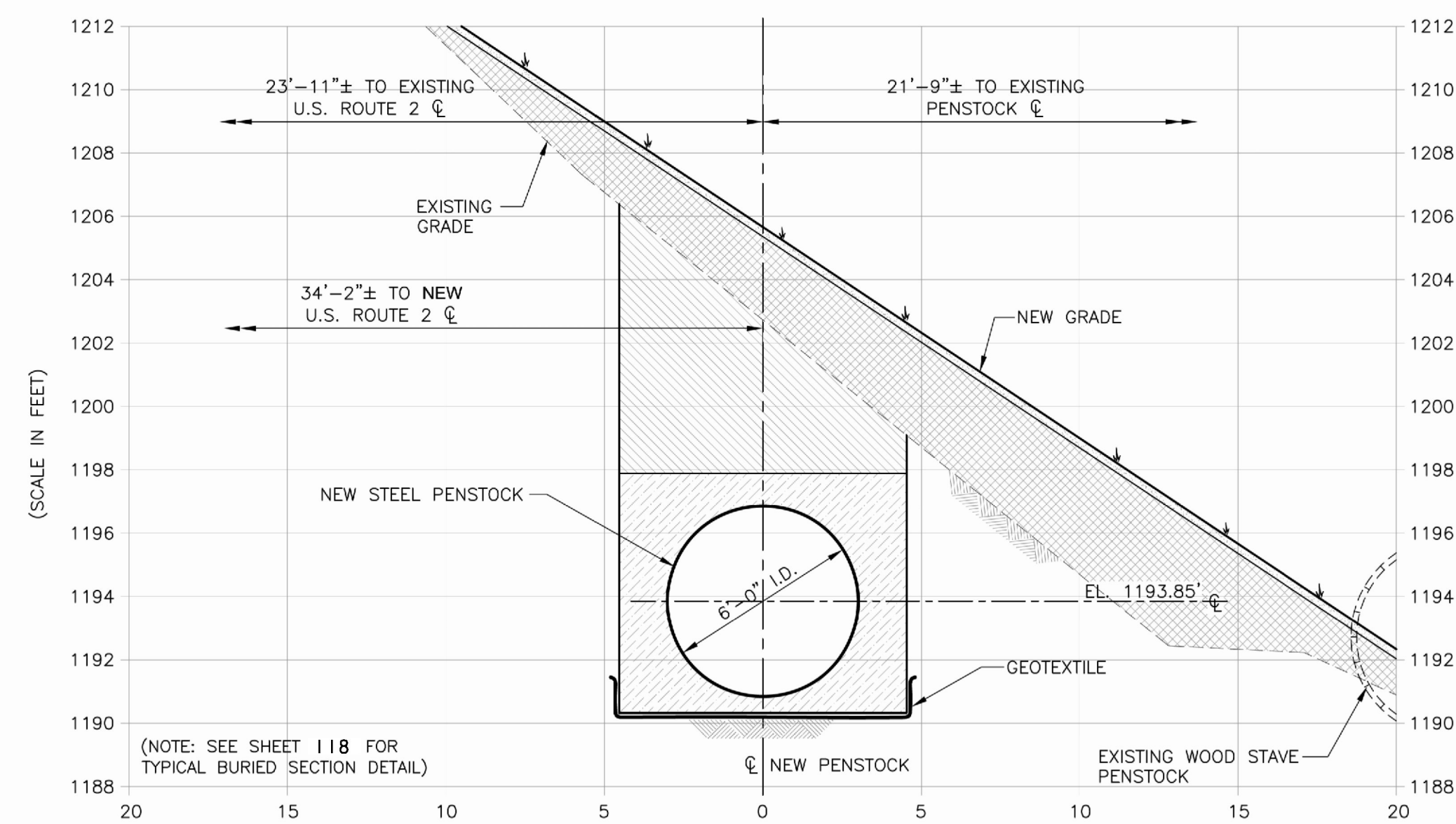


THIS DRAWING IS THE PROPERTY OF KLEINSMIDT & ASSOCIATES, INC. AND IS NOT TO BE REPRODUCED OR TRANSMITTED IN ANY FORM OR BY ANY MEANS, ELECTRONIC OR MECHANICAL, INCLUDING PHOTOCOPYING, RECORDING, OR BY ANY INFORMATION STORAGE AND RETRIEVAL SYSTEM, WITHOUT THE WRITTEN PERMISSION OF KLEINSMIDT & ASSOCIATES, INC.

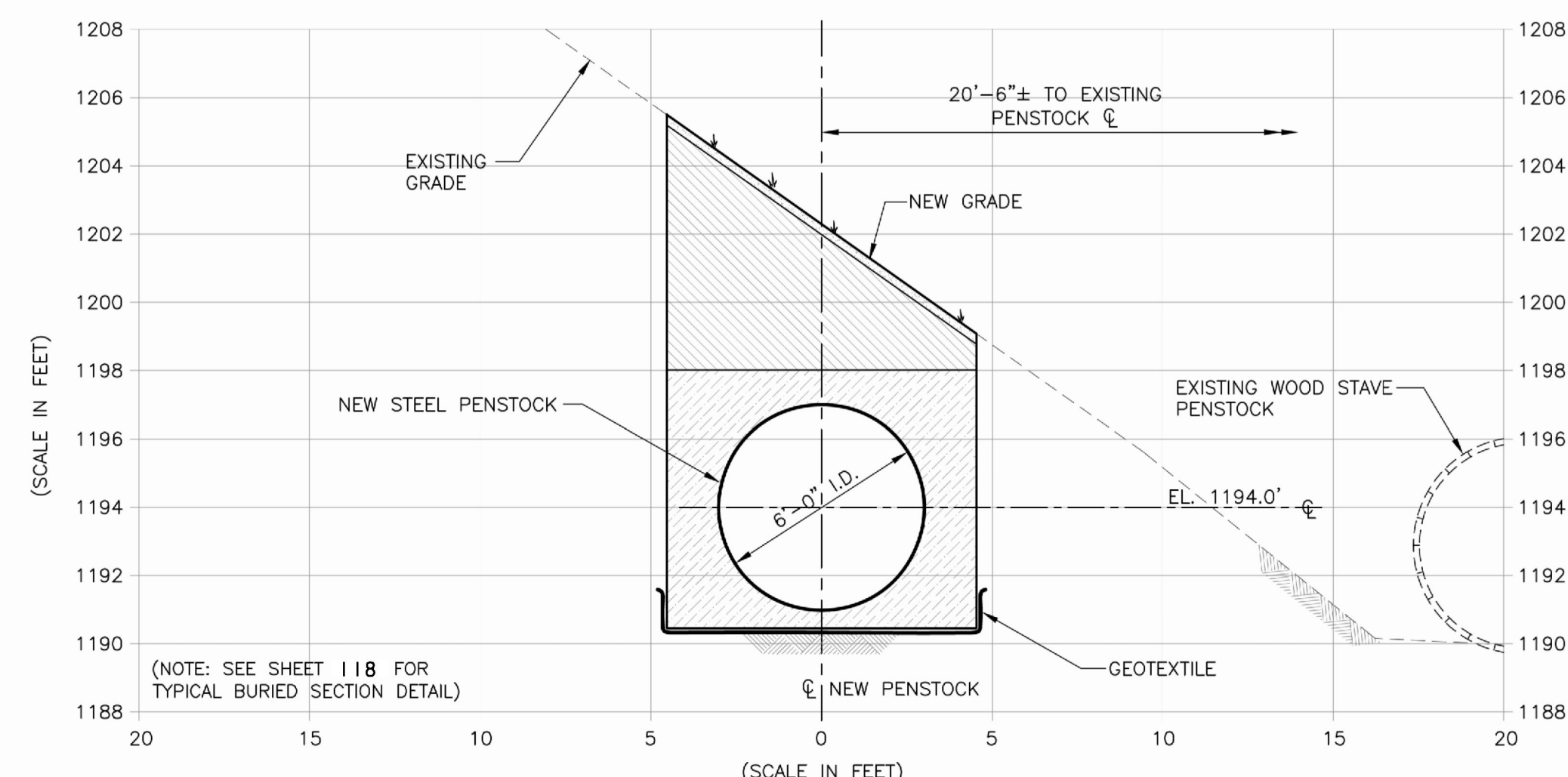
J:\012\087\Drawings\2009 Work\Working Drawings\WORKING DWGS TO VTRAN\012-087_VTRAN_Sheet_5.dwg



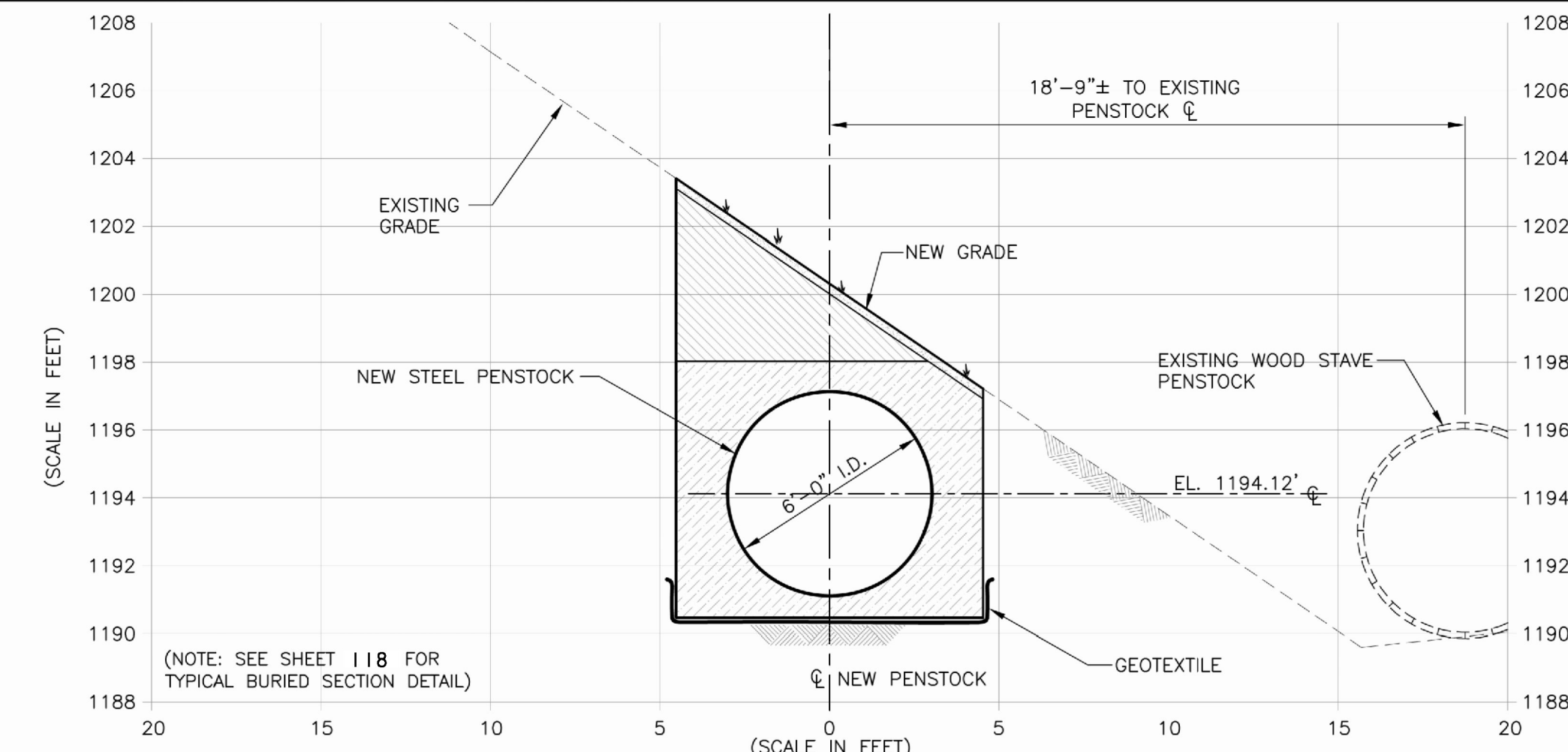
BURIED SECTION OF NEW PENSTOCK @ STA. 60+80



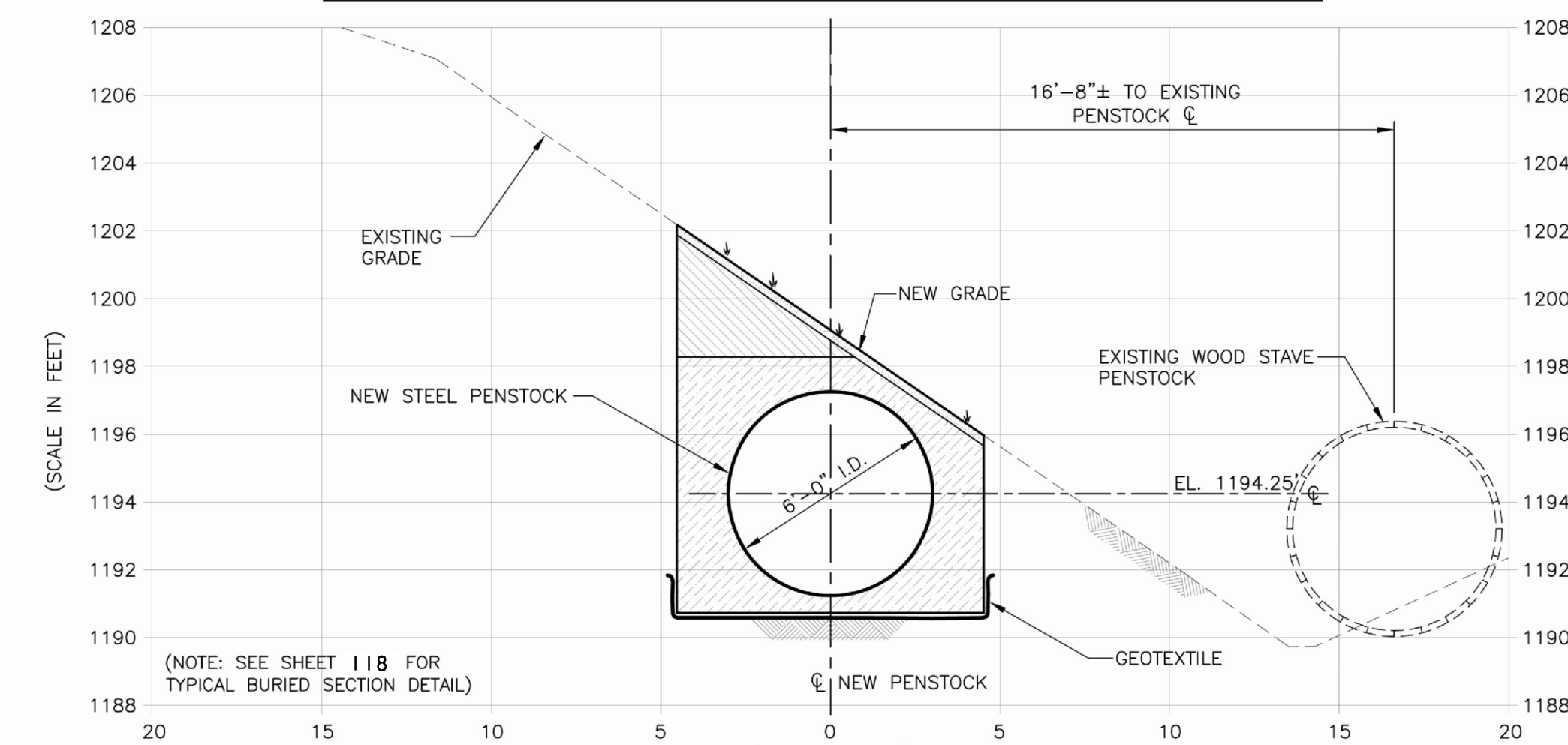
BURIED SECTION OF NEW PENSTOCK @ STA. 60+90



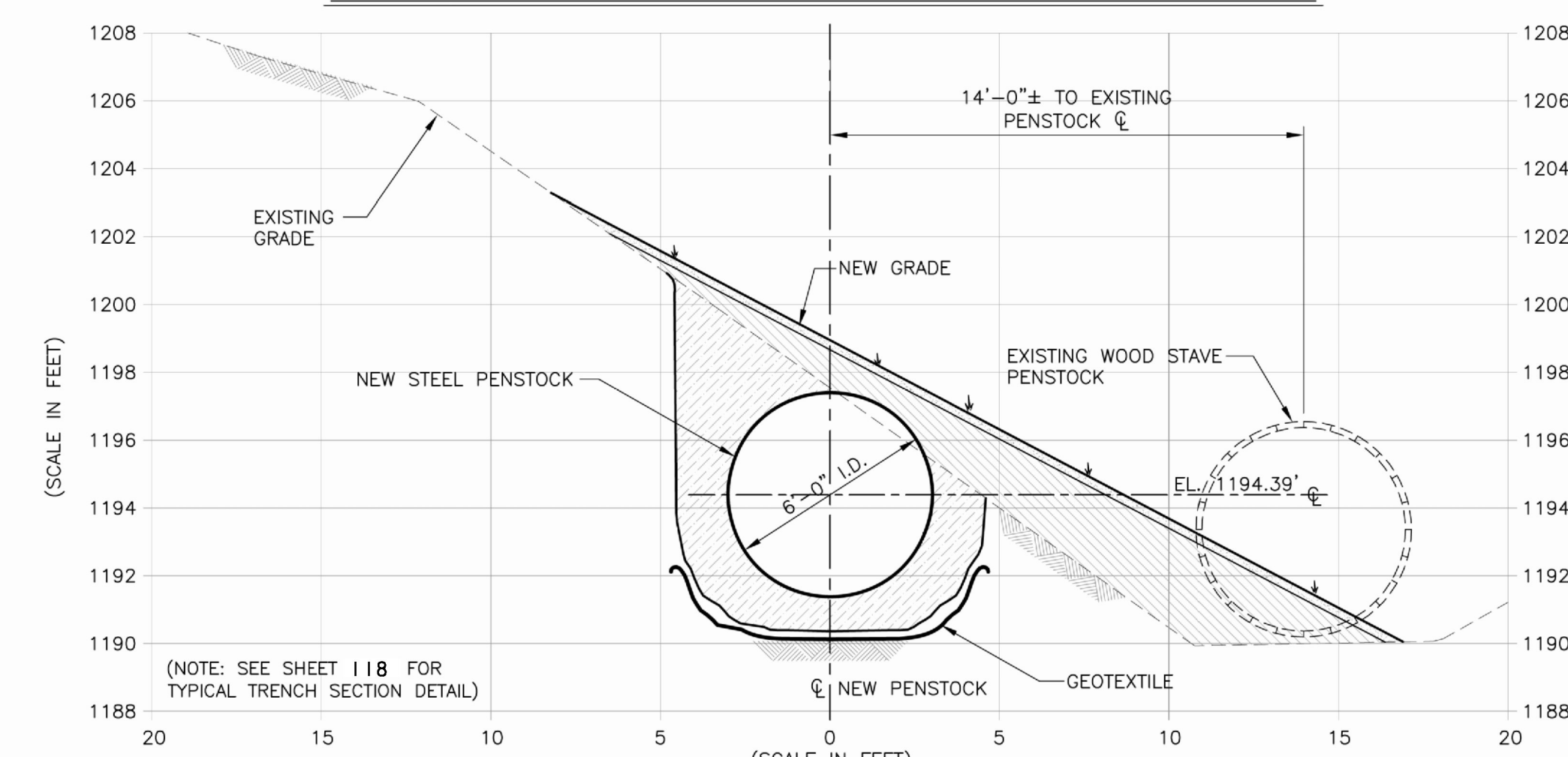
BURIED SECTION OF NEW PENSTOCK @ STA. 61+00



BURIED SECTION OF NEW PENSTOCK @ STA. 61+10



BURIED SECTION OF NEW PENSTOCK @ STA. 61+20



BURIED SECTION OF NEW PENSTOCK @ STA. 61+30

- NOTES:
1. ALL SECTIONS TAKEN LOOKING UPSTREAM
 2. DISTANCES TO NEW AND EXISTING ROUTE 2 ARE APPROXIMATE



Scale: AS SHOWN Project No: 012-087 AutoCad Release: 2007 Filename: 012-087-01.dwg Design By: JLD Drawn By: CFT Checked By: TLK Date Revised: 6-02-09		VERMONT AGENCY OF TRANSPORTATION MONTPELIER, VERMONT U.S. RTE. 2 CABOT-DANVILLE, SECTION I PROJ. F. NO. 028-3(26) - GMP MARSHFIELD PENSTOCK PROFILE VIEWS ALONG CENTERLINE OF NEW PENSTOCK - STA. 60+80 THRU 61+30	ISSUED FOR BID PURPOSES ONLY
No. Revision Date		Kleinsmidt Energy & Water Resource Consultants 141 Main St. P.O. Box 650 Pittsfield, Maine 04967 Telephone: (207) 487-3328 Fax: (207) 487-3124 www.KleinsmidtUSA.com	