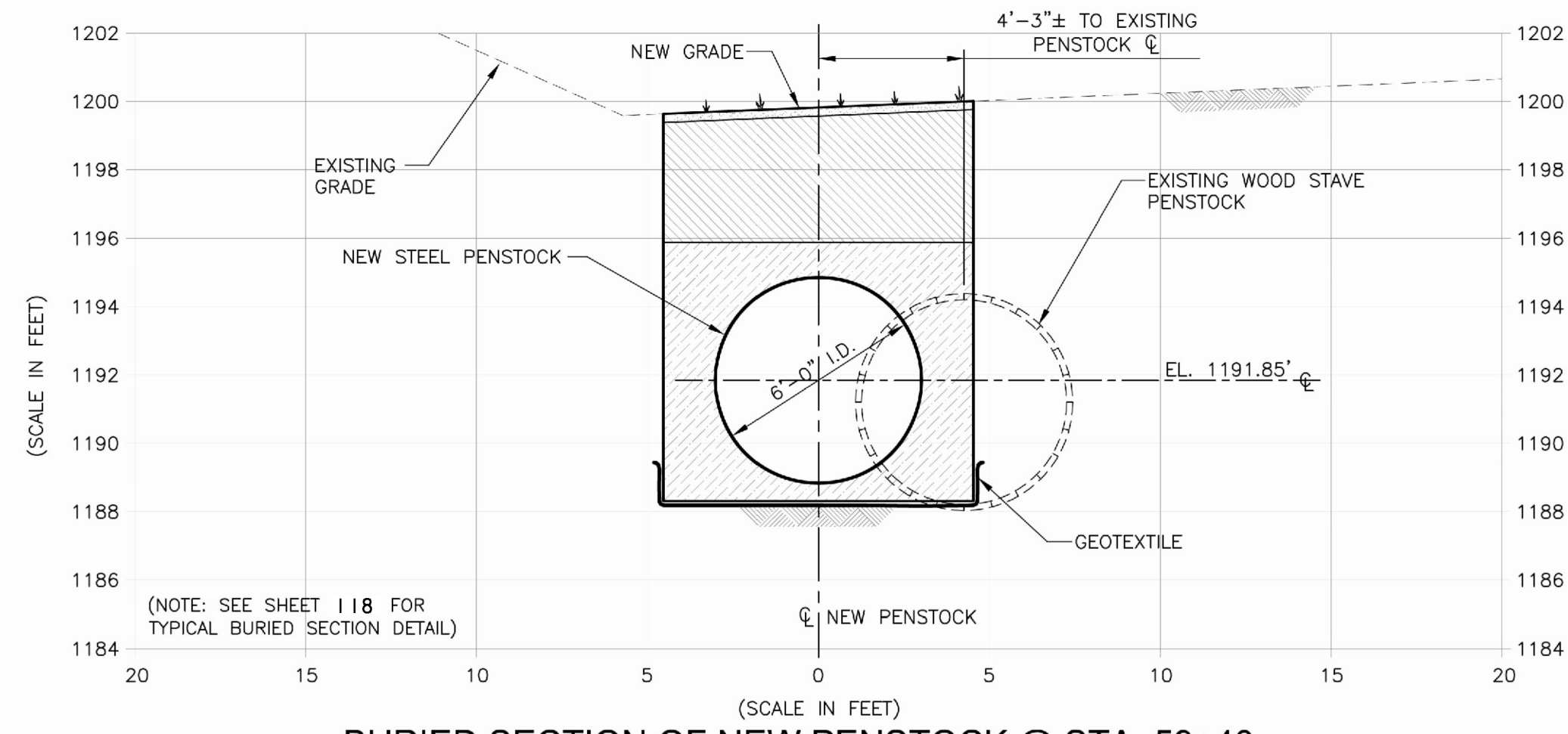
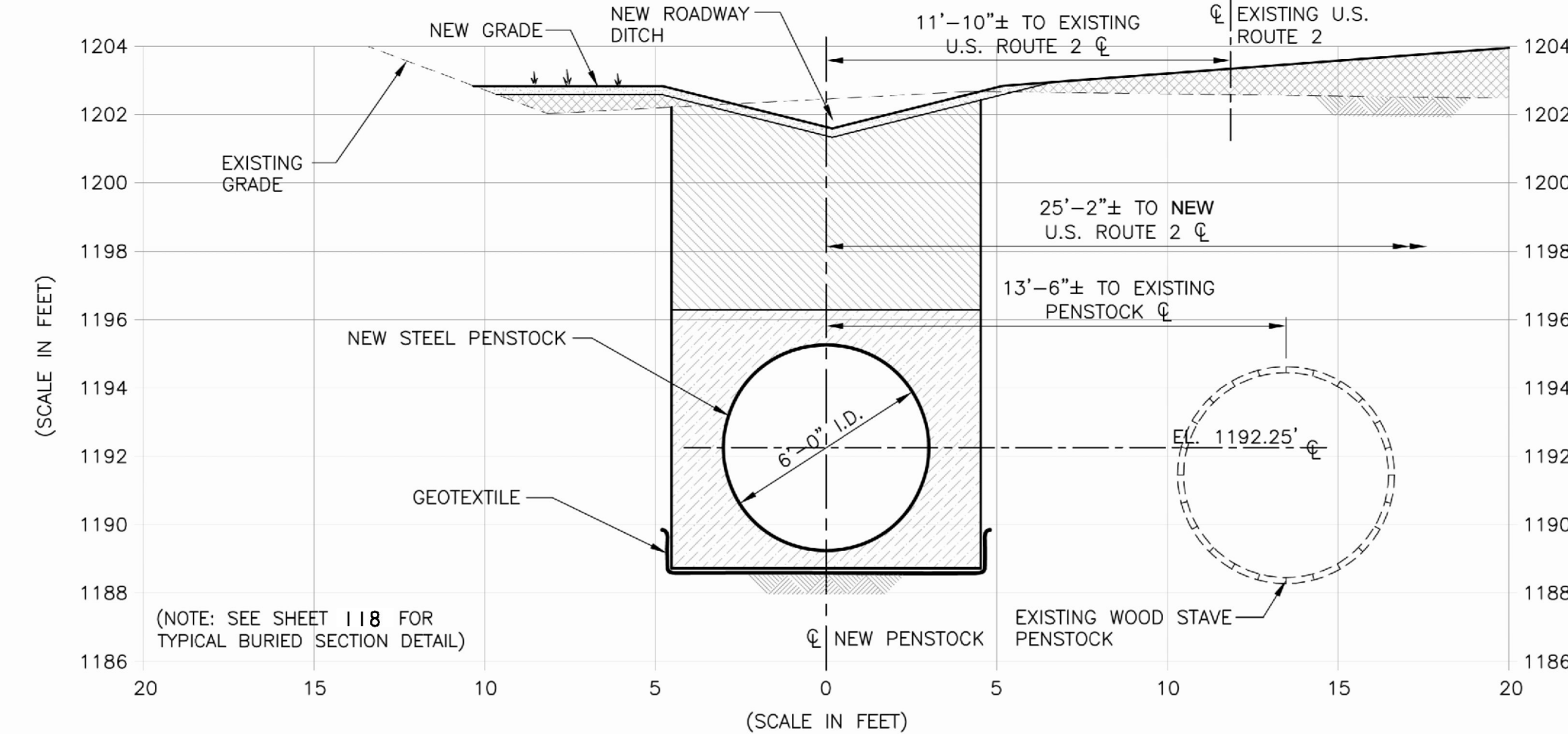


THIS DRAWING IS THE PROPERTY OF KLEINSCHMIDT & ASSOCIATES, INC. AND IS NOT TO BE REPRODUCED OR TRANSMITTED IN ANY FORM OR BY ANY MEANS, ELECTRONIC OR MECHANICAL, INCLUDING PHOTOCOPYING, RECORDING, OR BY ANY INFORMATION STORAGE AND RETRIEVAL SYSTEM, WITHOUT THE WRITTEN PERMISSION OF KLEINSCHMIDT & ASSOCIATES, INC.

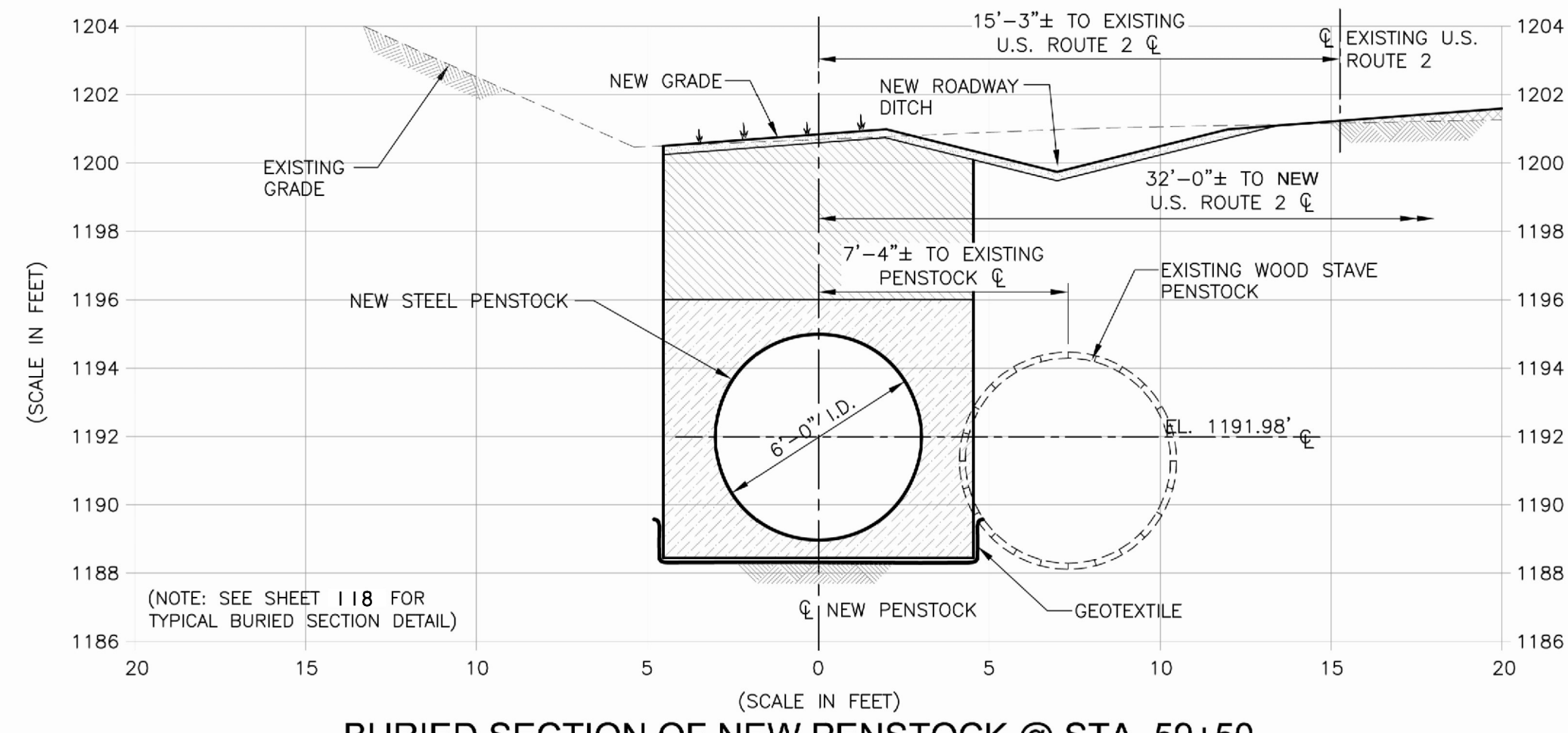
J:\012\087\Drawings\2009\Work\Working Drawings\WORKING DWGS TO VTRAN\012-087\_VTRAN\_Sheet\_5.dwg



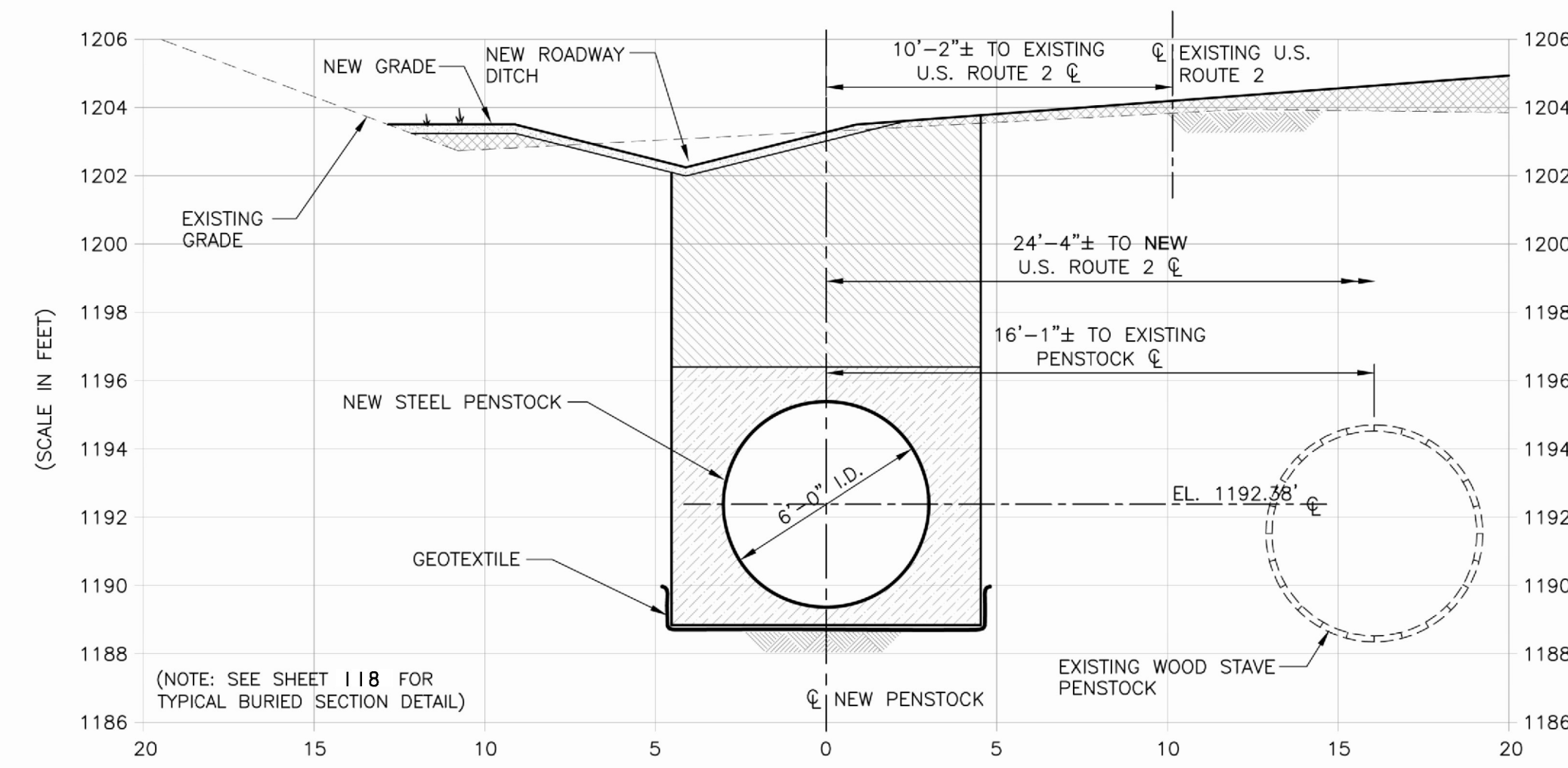
BURIED SECTION OF NEW PENSTOCK @ STA. 59+40



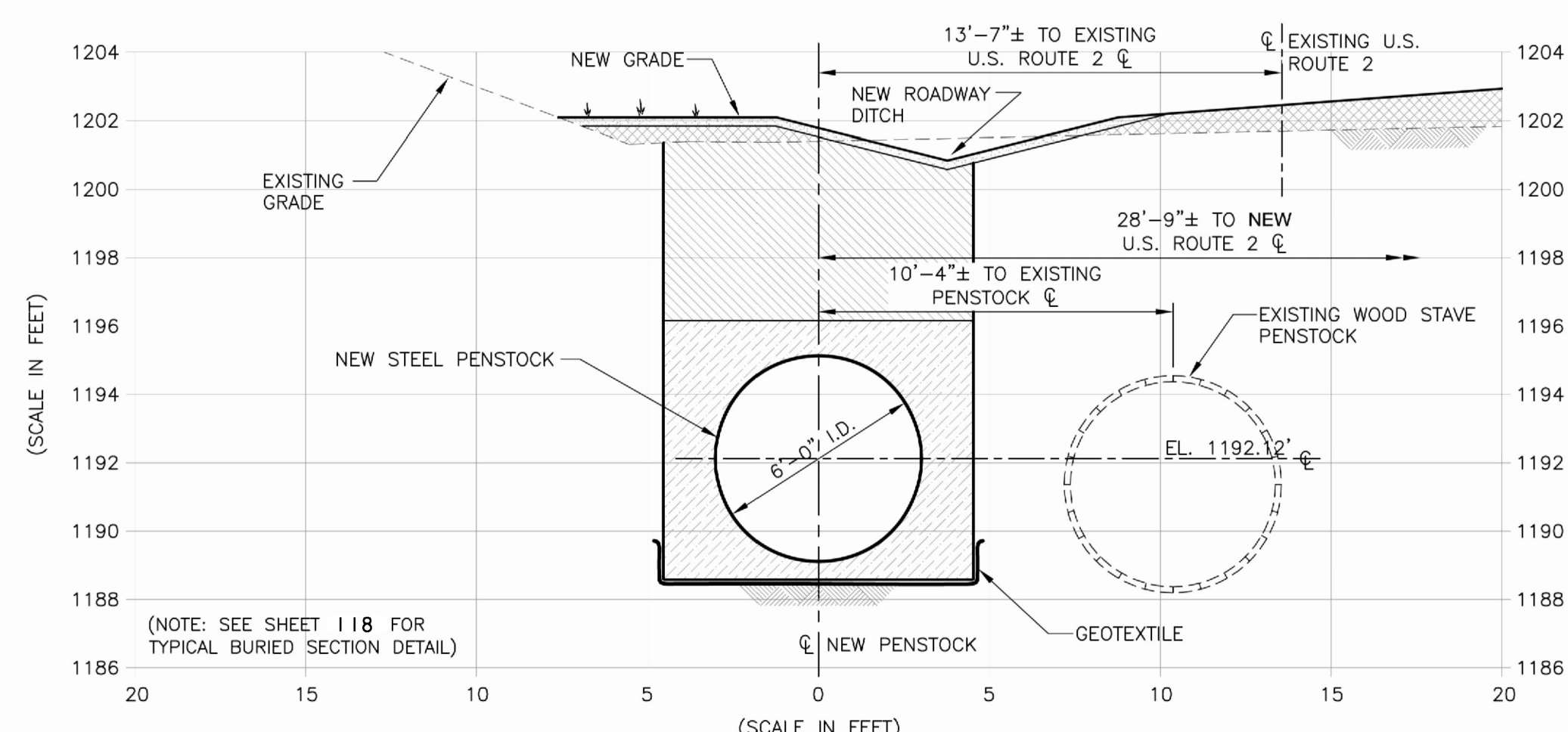
BURIED SECTION OF NEW PENSTOCK @ STA. 59+70



BURIED SECTION OF NEW PENSTOCK @ STA. 59+50



BURIED SECTION OF NEW PENSTOCK @ STA. 59+80



BURIED SECTION OF NEW PENSTOCK @ STA. 59+60

- NOTES:
1. ALL SECTIONS TAKEN LOOKING UPSTREAM
  2. DISTANCES TO NEW AND EXISTING ROUTE 2 ARE APPROXIMATE



Scale: AS SHOWN		VERMONT AGENCY OF TRANSPORTATION MONTPELIER, VERMONT		<b>ISSUED FOR BID PURPOSES ONLY</b>
Project No: 012-087		U.S. RTE. 2 CABOT-DANVILLE, SECTION I PROJ. F, NO. 028-3(26) - GMP MARSHFIELD PENSTOCK		
AutoCad Release: 2007		PROFILE VIEWS ALONG CENTERLINE OF NEW PENSTOCK - STA. 59+40 THRU 59+80		<b>SHEET 122 OF 250</b>
Filename:		<b>Kleinschmidt</b> Energy & Water Resource Consultants		
Design By: JLD		141 Main St. P.O. Box 650 Pittsfield, Maine 04967 Telephone: (207) 487-3328 Fax: (207) 487-3124 www.KleinschmidtUSA.com		
Drawn By: CFT		Date Revised: 6-02-09		
Checked By: TLK				
Date				
ISSUED FOR BID 6-02-09				
NEW SHEET 4-24-09				
Revision				