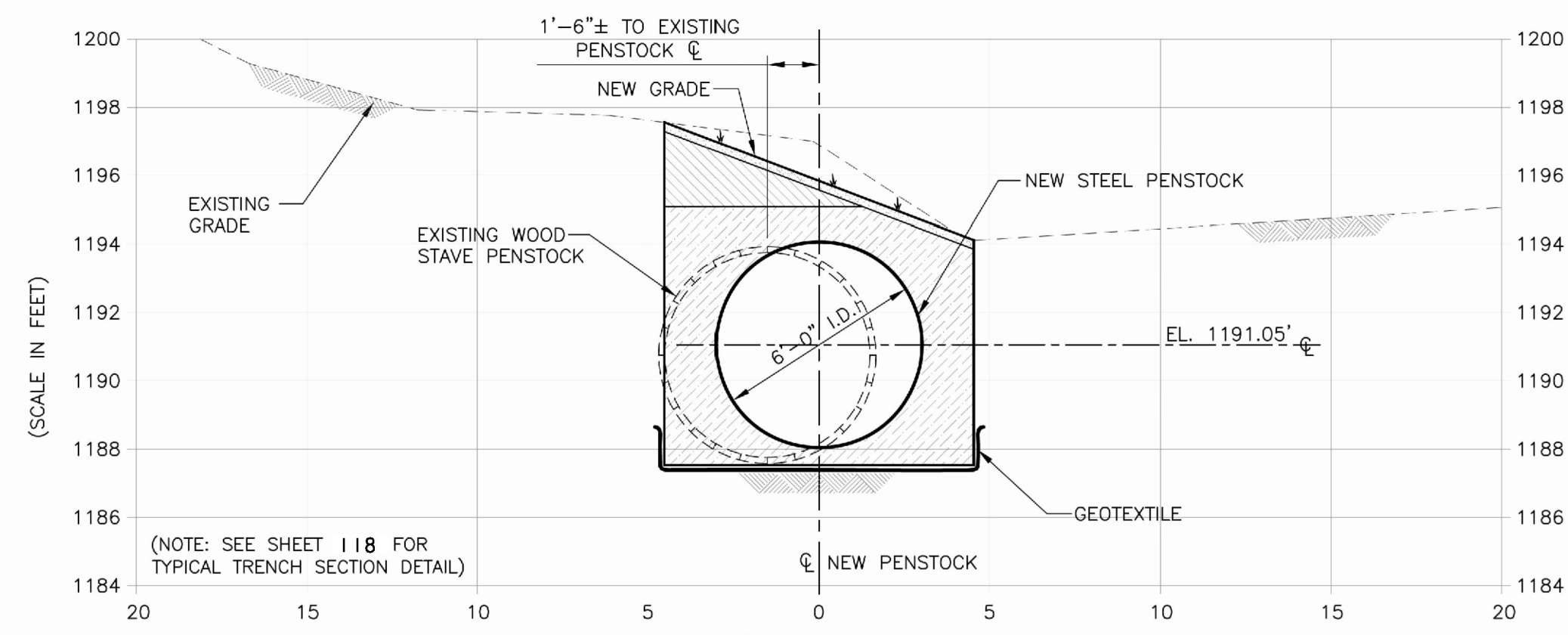
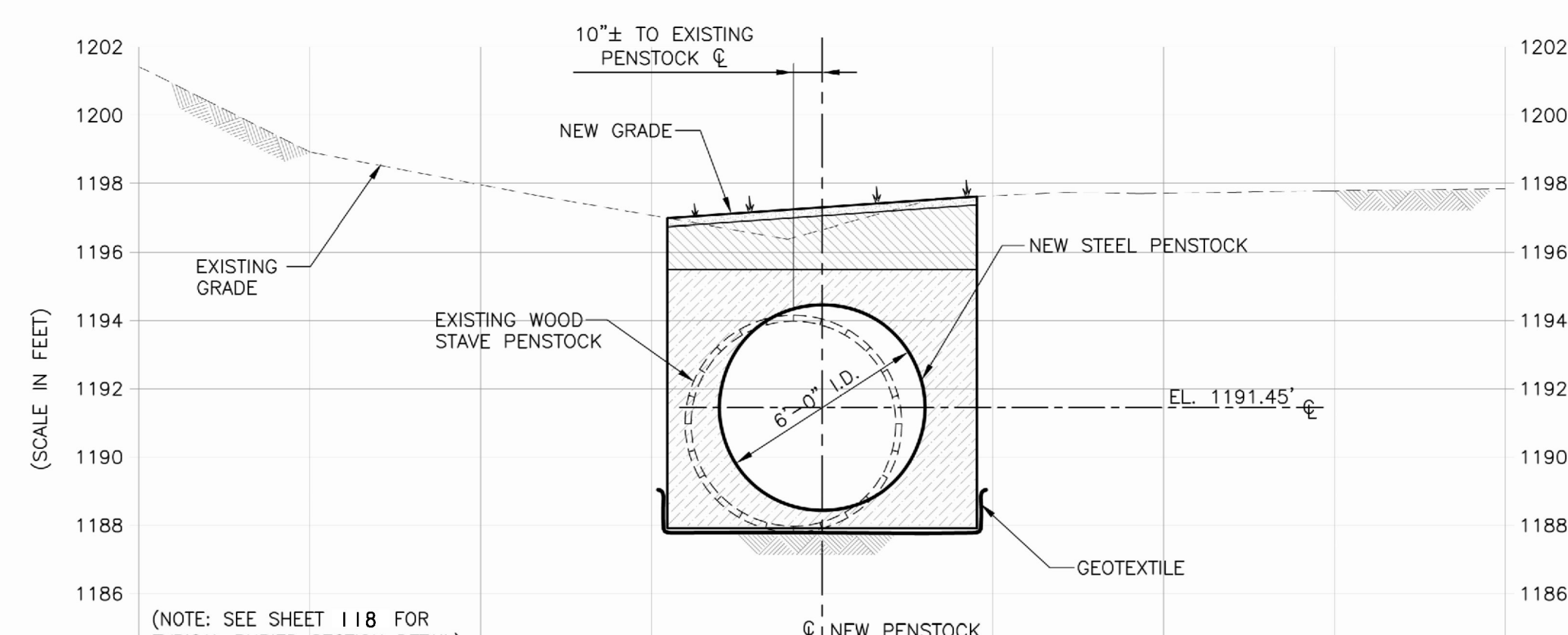


THIS DRAWING IS THE PROPERTY OF KLEINSCHMIDT & ASSOCIATES, INC. AND IS NOT TO BE REPRODUCED OR TRANSMITTED IN ANY FORM OR BY ANY MEANS, ELECTRONIC OR MECHANICAL, INCLUDING PHOTOCOPYING, RECORDING, OR BY ANY INFORMATION STORAGE AND RETRIEVAL SYSTEM, WITHOUT THE WRITTEN PERMISSION OF KLEINSCHMIDT & ASSOCIATES, INC.

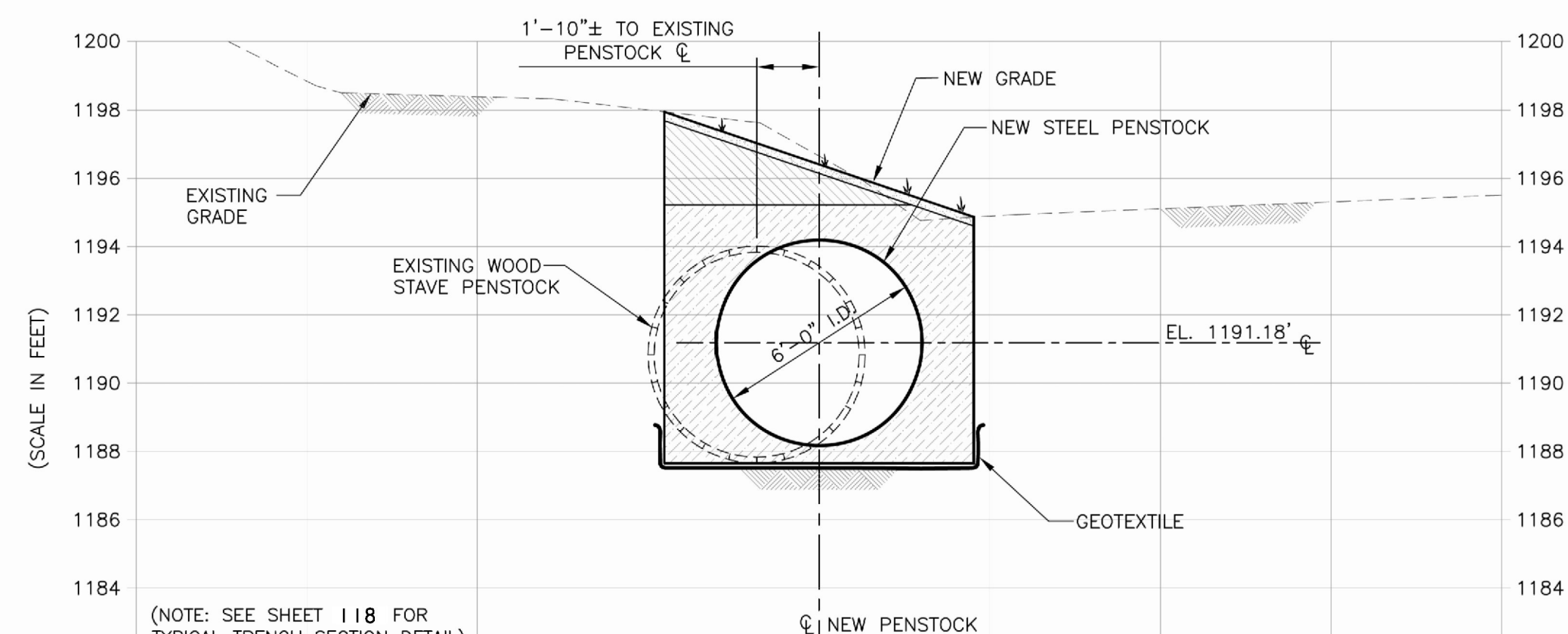
J:\012\087\Drawings\2009\Work\Working Drawings\WORKING DWGS TO VTRAN\012-087-VTRAN_Sheet_5.dwg



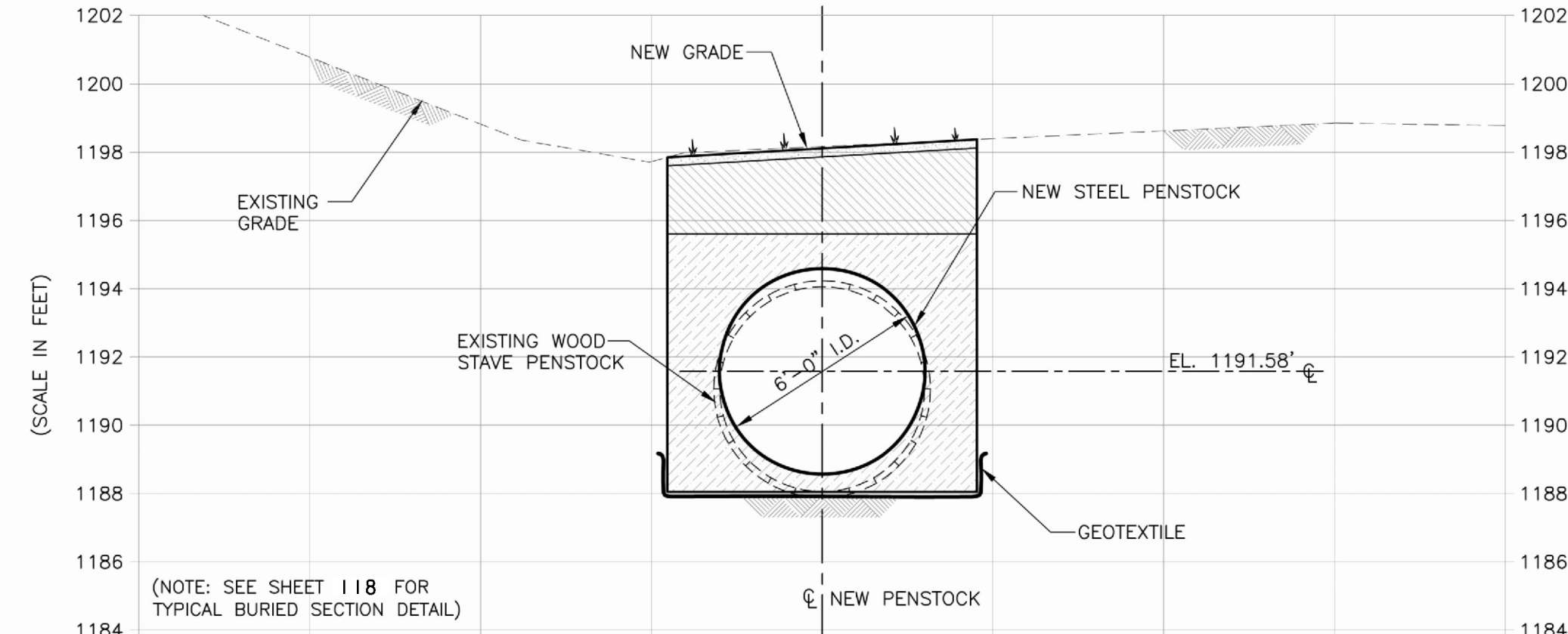
BURIED SECTION OF NEW PENSTOCK @ STA. 58+80



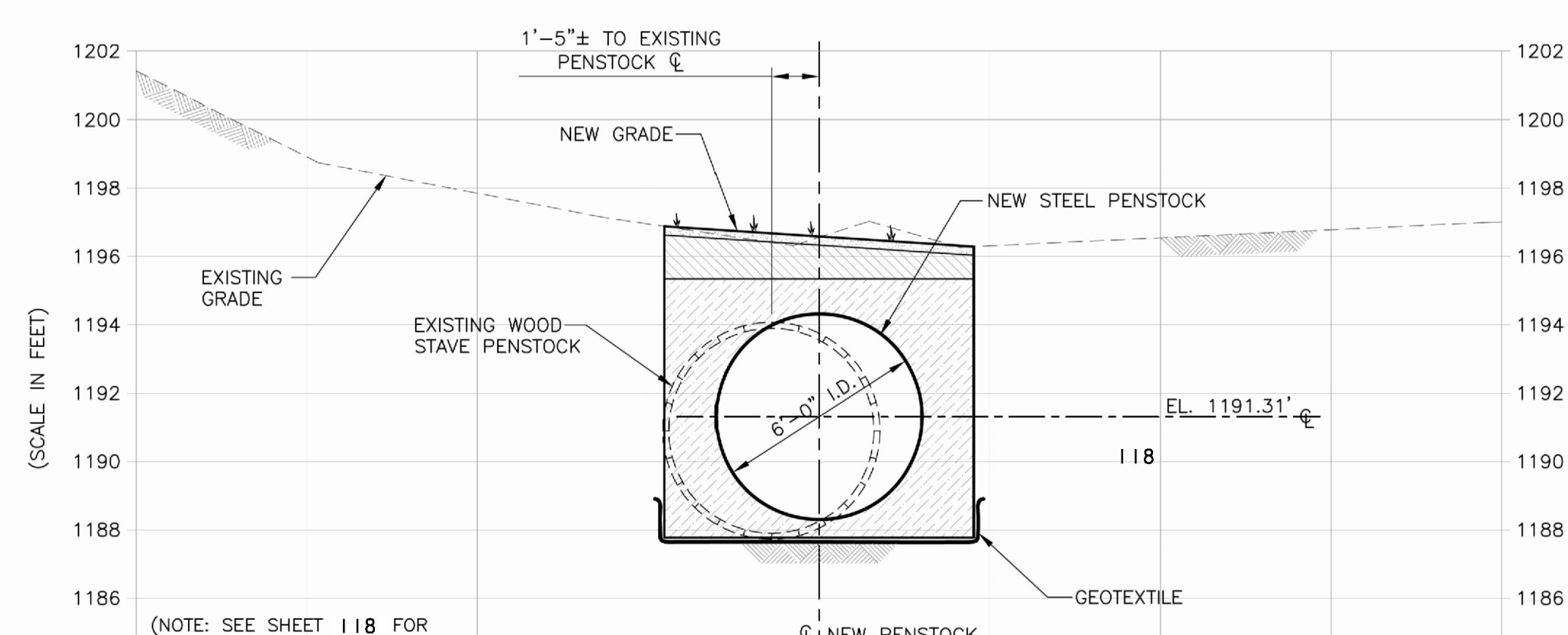
BURIED SECTION OF NEW PENSTOCK @ STA. 59+10



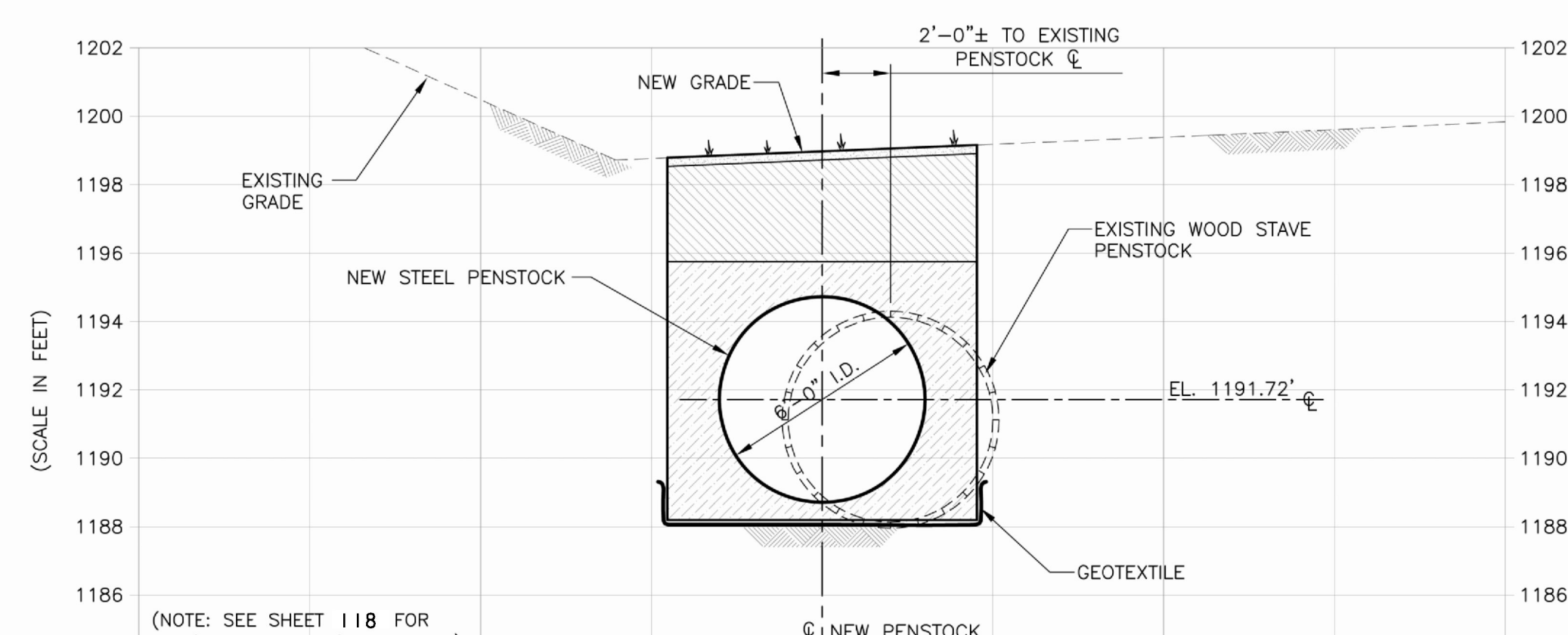
BURIED SECTION OF NEW PENSTOCK @ STA. 58+90



BURIED SECTION OF NEW PENSTOCK @ STA. 59+20



BURIED SECTION OF NEW PENSTOCK @ STA. 59+00



BURIED SECTION OF NEW PENSTOCK @ STA. 59+30

NOTE: ALL SECTIONS TAKEN LOOKING UPSTREAM



Scale: AS SHOWN		VERMONT AGENCY OF TRANSPORTATION MONTPELIER, VERMONT		ISSUED FOR BID PURPOSES ONLY
Project No: 012-087		U.S. RTE. 2 CABOT-DANVILLE, SECTION I PROJ. F. NO. 028-3(26) - GMP MARSHFIELD PENSTOCK		
AutoCad Release: 2007		Profile Views Along Centerline of New Penstock - Sta. 58+80 thru 59+30		SHEET 121 OF 250
Filename: 012-087-012-087.dwg		Kleinschmidt Energy & Water Resource Consultants 141 Main St., P.O. Box 650 Pittsfield, Maine 04967 Telephone: (207) 487-3328 Fax: (207) 487-3124 www.KleinschmidtUSA.com		
Design By: JLD				Date Revised: 6-02-09
Drawn By: CFT		Checked By: TLK		
Checked By: TLK		Date: 4-24-09		
Date: 6-02-09		Revision		
No.		Revision		