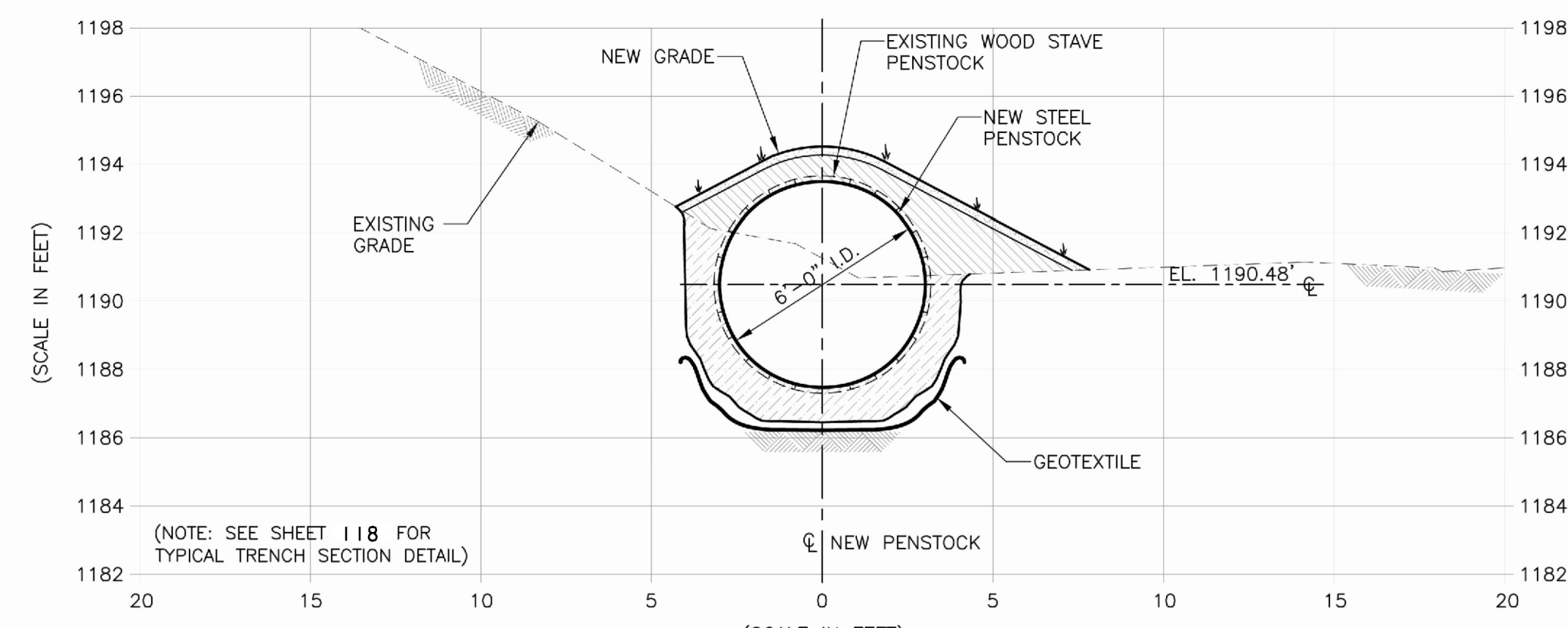
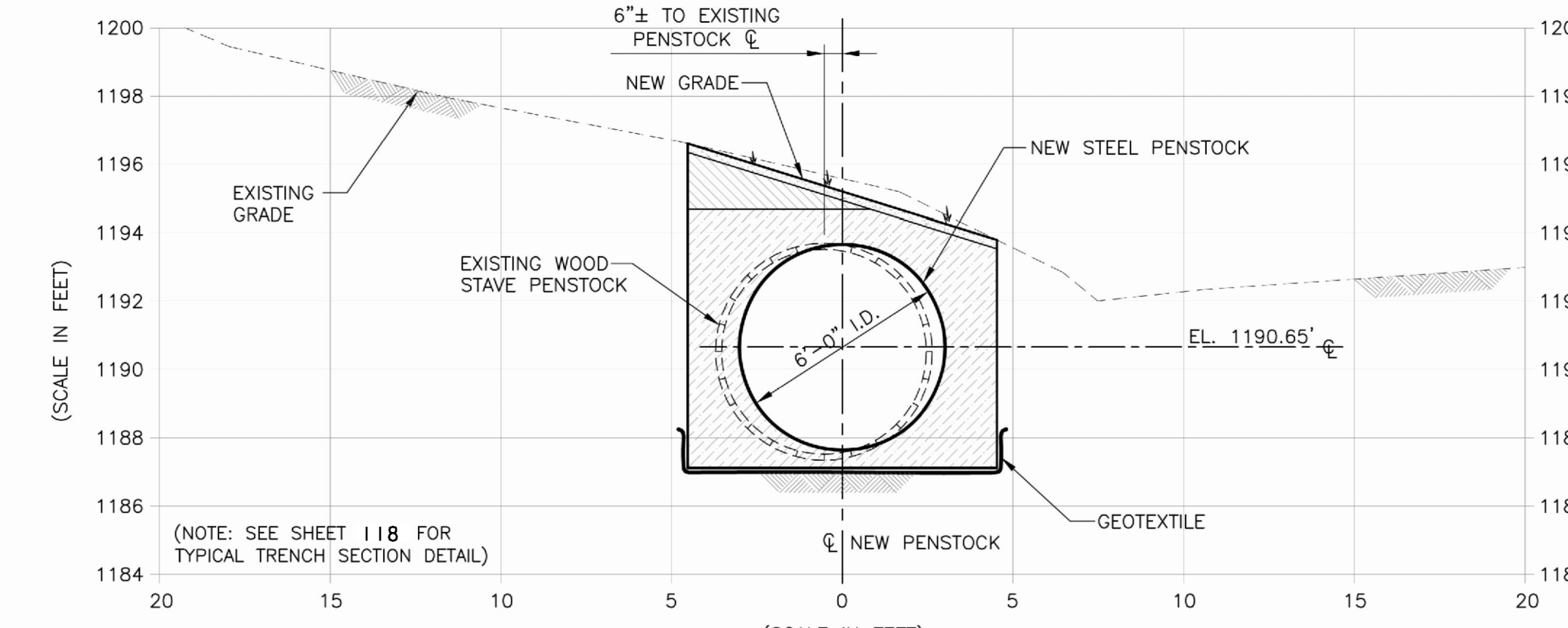


THIS DRAWING IS THE PROPERTY OF KLEINSCHMIDT & ASSOCIATES, INC. AND IS NOT TO BE REPRODUCED OR TRANSMITTED IN ANY FORM OR BY ANY MEANS, ELECTRONIC OR MECHANICAL, INCLUDING PHOTOCOPYING, RECORDING, OR BY ANY INFORMATION STORAGE AND RETRIEVAL SYSTEM, WITHOUT THE WRITTEN PERMISSION OF KLEINSCHMIDT & ASSOCIATES, INC.

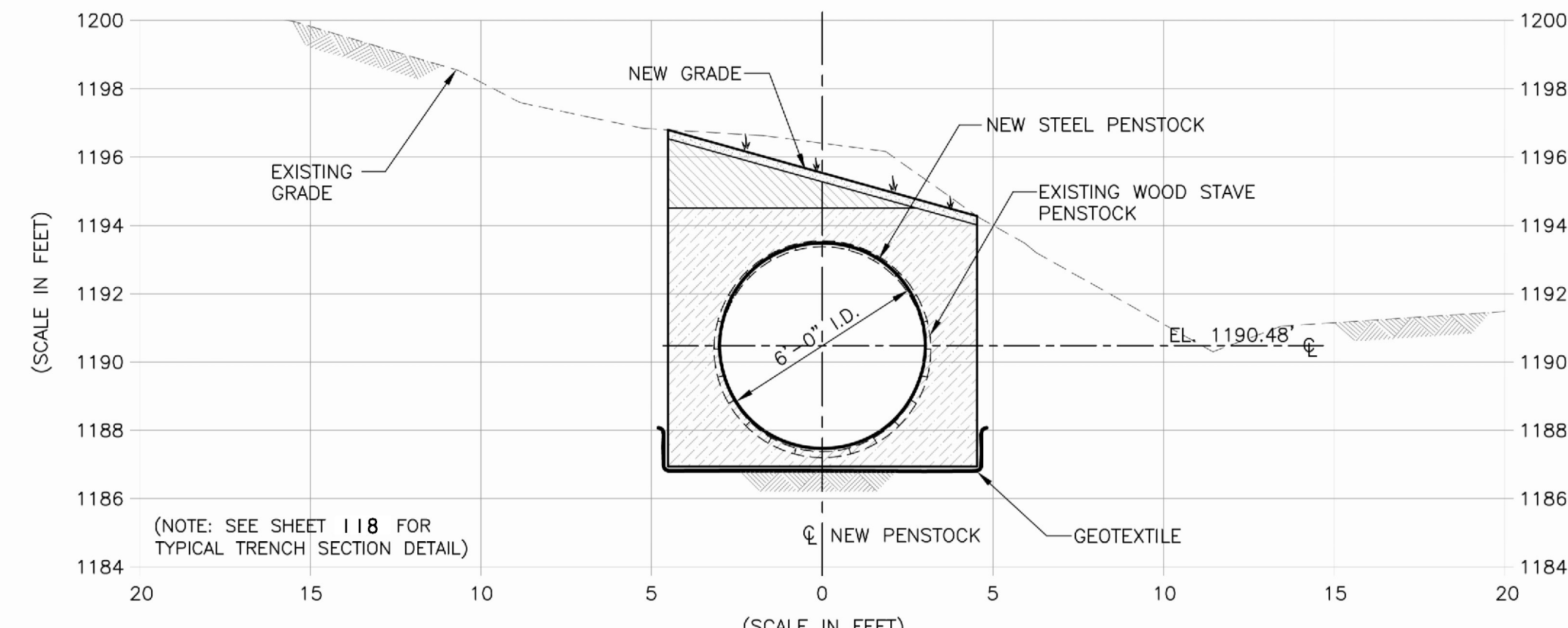
J:\012\087\Drawings\2009\Work\Working Drawings\WORKING DWGS TO VTRAN\012-087-VTRAN_Sheet_5.dwg



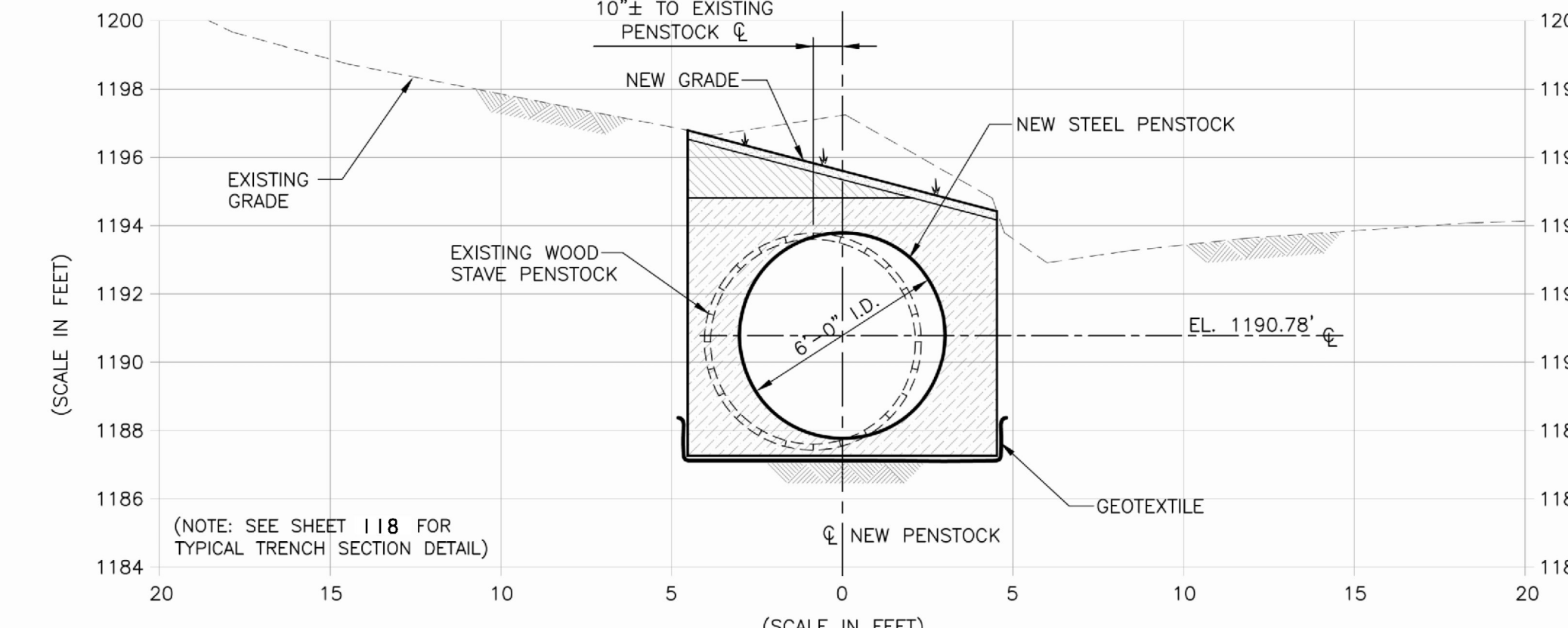
**BURIED SECTION OF NEW PENSTOCK @ STA. 58+17.60
(AT LIMIT OF VTRAN RESPONSIBILITY)**



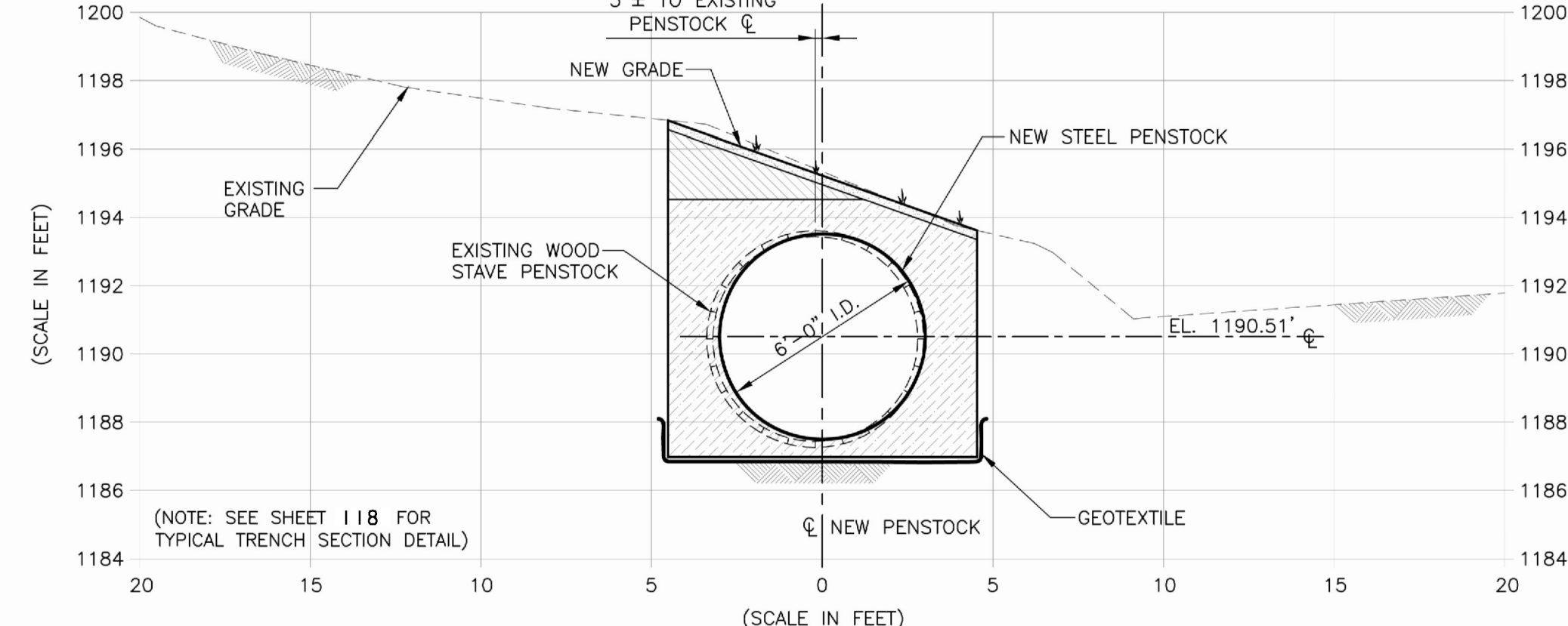
BURIED SECTION OF NEW PENSTOCK @ STA. 58+50



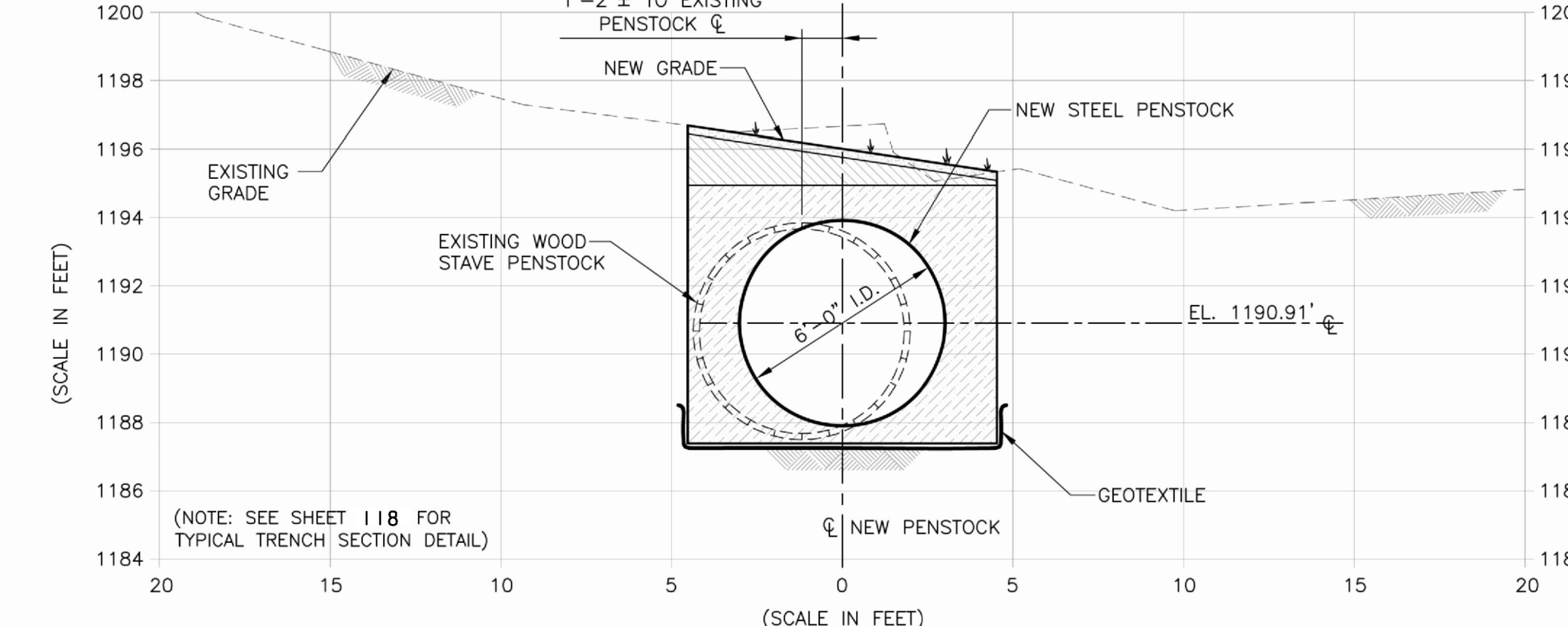
BURIED SECTION OF NEW PENSTOCK @ STA. 58+30



BURIED SECTION OF NEW PENSTOCK @ STA. 58+60



BURIED SECTION OF NEW PENSTOCK @ STA. 58+40



BURIED SECTION OF NEW PENSTOCK @ STA. 58+70

NOTE: ALL SECTIONS TAKEN LOOKING UPSTREAM



Scale: AS SHOWN Project No: 012-087 AutoCad Release: 2007 Filename: 012-087-01-01.dwg Design By: JLD Drawn By: CFT Checked By: TLK Date Revised: 6-02-09		VERMONT AGENCY OF TRANSPORTATION MONTPELIER, VERMONT U.S. RTE. 2 CABOT-DANVILLE, SECTION I PROJ. F. NO. 028-3(26) - GMP MARSHFIELD PENSTOCK PROFILE VIEWS ALONG CENTERLINE OF NEW PENSTOCK - STA. 58+17.60 THRU 58+70	ISSUED FOR BID PURPOSES ONLY											
<table border="1"> <thead> <tr> <th>No.</th> <th>Revision</th> <th>Date</th> </tr> </thead> <tbody> <tr> <td>1</td> <td>ISSUED FOR BID</td> <td>6-02-09</td> </tr> <tr> <td>2</td> <td>REVISIONS</td> <td>4-24-09</td> </tr> <tr> <td>3</td> <td>ISSUED FOR REVIEW</td> <td>3-24-09</td> </tr> </tbody> </table>	No.	Revision		Date	1	ISSUED FOR BID	6-02-09	2	REVISIONS	4-24-09	3	ISSUED FOR REVIEW	3-24-09	Kleinschmidt Energy & Water Resource Consultants 141 Main St., P.O. Box 650 Pittsfield, Maine 04967 Telephone: (207) 487-3328 Fax: (207) 487-3124 www.KleinschmidtUSA.com
No.	Revision	Date												
1	ISSUED FOR BID	6-02-09												
2	REVISIONS	4-24-09												
3	ISSUED FOR REVIEW	3-24-09												