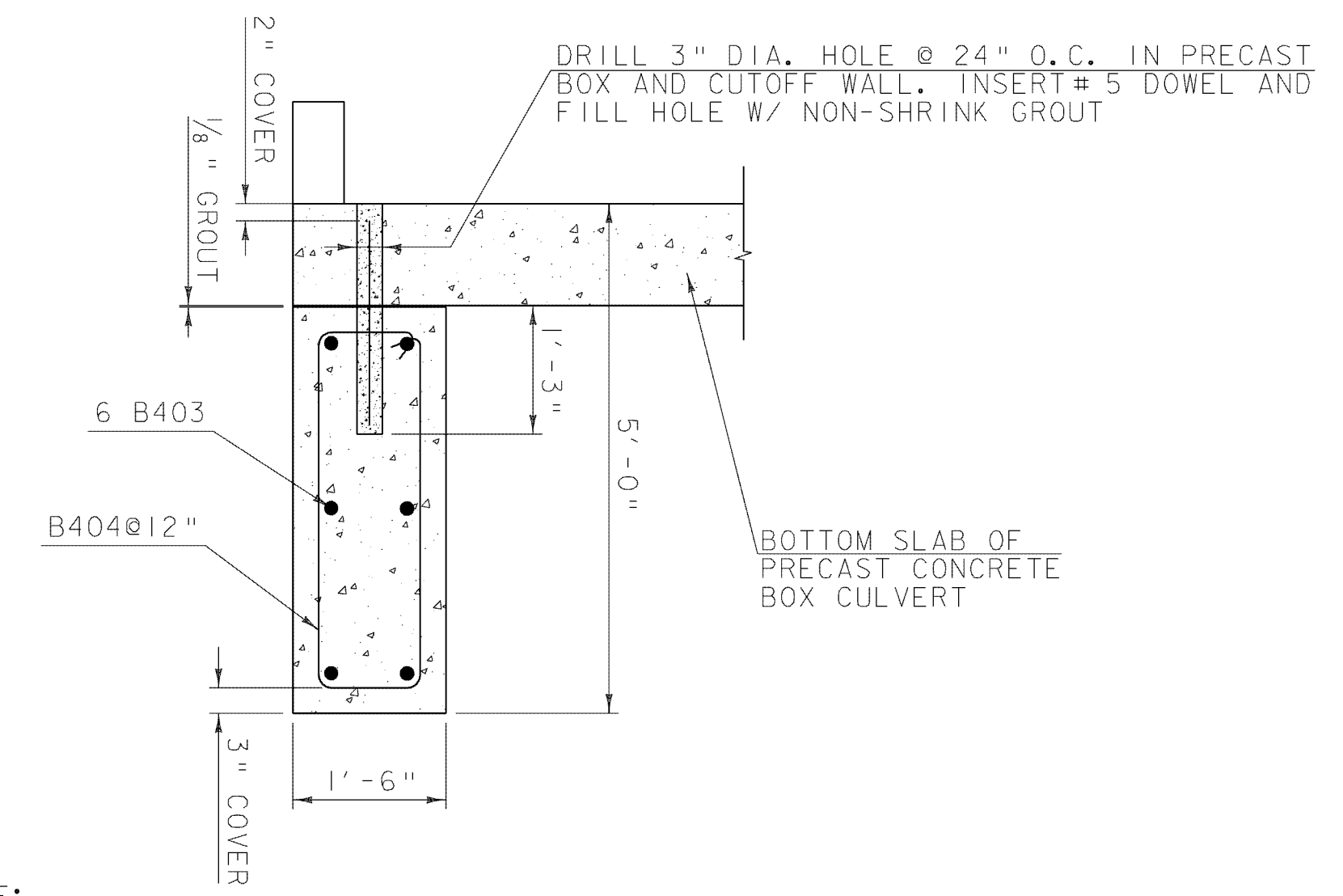
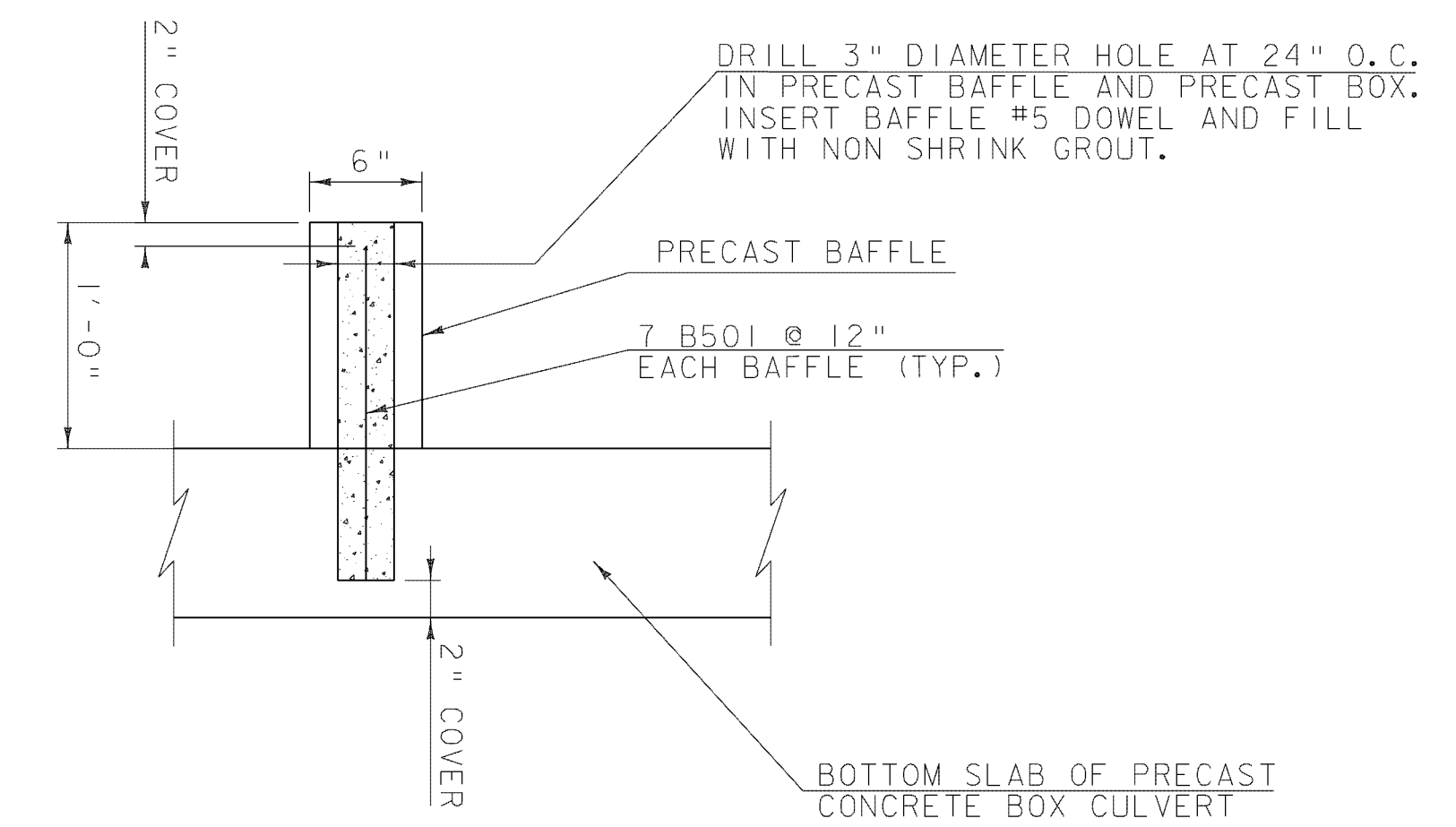


CULVERT SOUTH END-DEVELOPED ELEVATION
SCALE: 1/4" = 1'-0"



CUTOFF WALL DETAIL
SCALE: 3/4" = 1'-0"



BAFFLE DETAIL
SCALE: 1/2" = 1'-0"

STATE OF VERMONT AGENCY OF TRANSPORTATION			
Town Of	CABOT-DANVILLE	Bridge No.	85
Highway No.	U.S. ROUTE 2	Log Sta.	
		Surv. Sta.	164+27
U.S. ROUTE 2 OVER EXISTING STREAM			
CULVERT DETAILS SHEET 2			
Designed By	AMS/MAC	Drawn By	AA
Checked By	MAC/SMV	Bridge Design Supervisor	
		Date	09/22/2010
PROJECT	CABOT-DANVILLE	PROJECT NO.	F 028-3(26)
I.G.C. Info.		PRINTED:	10/25/2010
Bridge Sheet No.	BR111	Sheet	III of 250