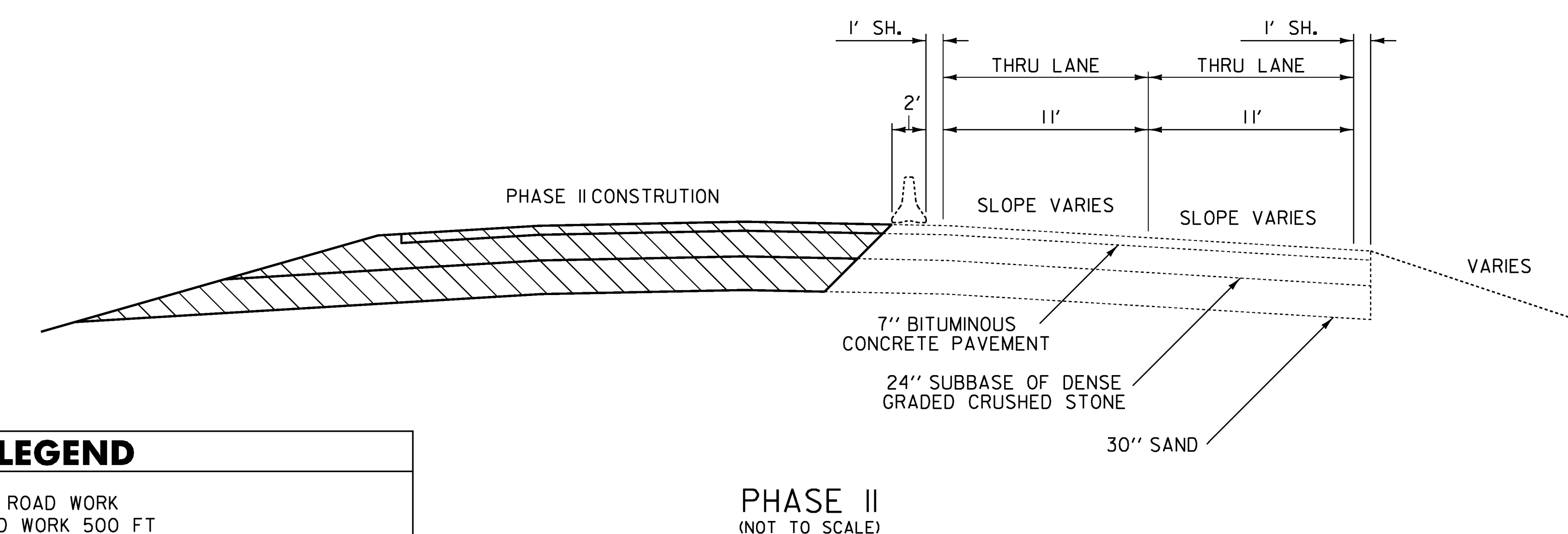
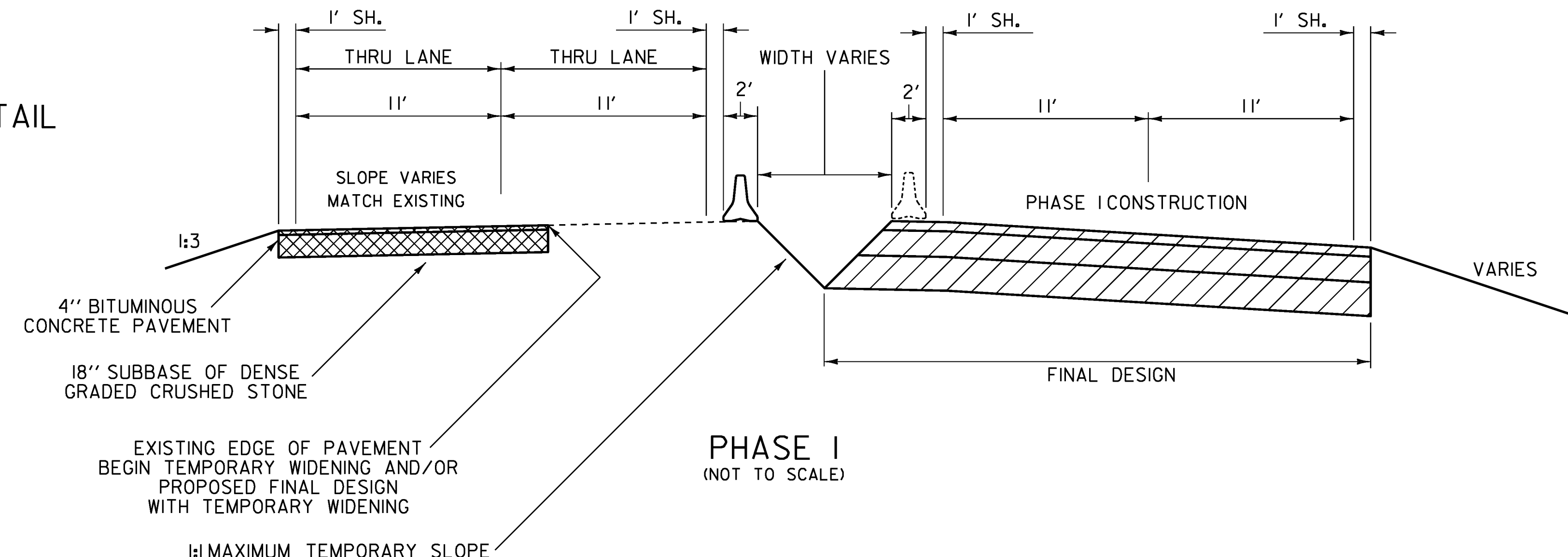
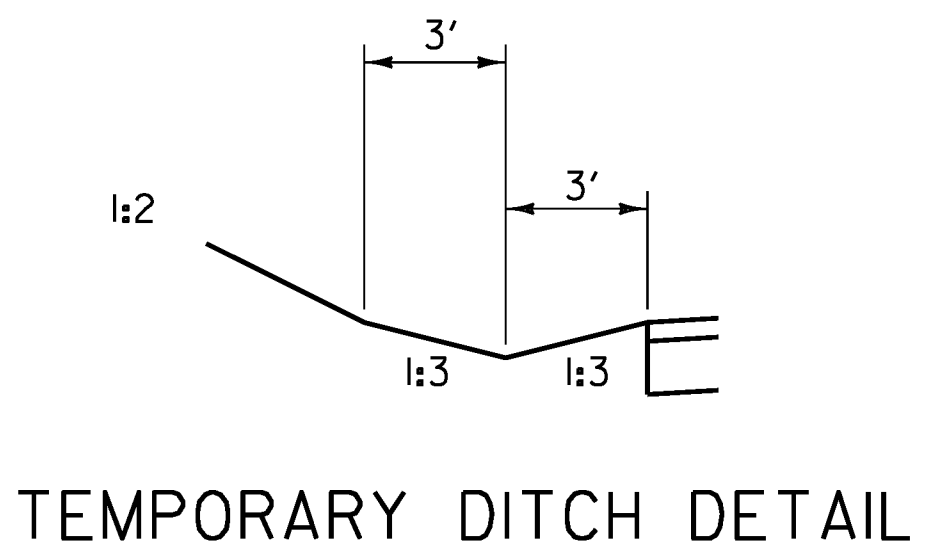


NOTES:

1. THE CONTRACTOR SHALL SUBMIT A TRAFFIC CONTROL PLAN FOR APPROVAL PRIOR TO THE START OF CONSTRUCTION. THE COST OF PREPARING THIS PLAN (AND MAKING CHANGES IF NECESSARY) SHALL BE INCLUDED IN THE UNIT PRICE BID FOR ITEM 641.10, TRAFFIC CONTROL.
2. ALL WORK REQUIRED FOR THE TEMPORARY WIDENING AS IT IS SHOWN IN THE TRAFFIC CONTROL PLANS SHALL BE PAID UNDER ITEM 900.645 SPECIAL PROVISION (TEMPORARY ROADWAY WIDENING) (ROADWAY PHASE I).
3. PORTABLE CHANGEABLE MESSAGE SIGNS ARE TO BE USED AS DIRECTED BY THE VAOT RESIDENT ENGINEER. THE CONTRACTOR SHALL POSITION PORTABLE CHANGEABLE MESSAGE BOARDS WARNING MOTORISTS OF THE EXPECTED ROADWAY CONDITIONS AHEAD. THE MESSAGE TO BE DISPLAYED SHALL BE SUBMITTED TO THE RESIDENT ENGINEER IN ADVANCE FOR APPROVAL. THE COST OF PROVIDING THESE MESSAGE BOARDS SHALL BE PAID UNDER ITEM 641.15, PORTABLE CHANGEABLE MESSAGE SIGN.
4. THE BID PRICE FOR TRAFFIC CONTROL, ITEM 641.10, SHALL INCLUDE ALL OF THE FOLLOWING AS NEEDED: APPROACH AND ON-PROJECT CONSTRUCTION SIGNING, BARRELS, CONES, BARRICADES, TEMPORARY REGULATORY AND WARNING SIGNS, AND POSTS AS DETAILED IN VTRANS STANDARDS. TRAFFIC CONTROL DEVICES SHALL BE INSTALLED IN A MANNER THAT WILL ALLOW MAINTENANCE FOR ACCESS TO DRIVES AND T.H. 58. ALL ADJUSTING, RELOCATION AND REMOVING OF THESE DEVICES AS DIRECTED BY THE RESIDENT ENGINEER SHALL ALSO BE INCLUDED.
5. THE LATEST EDITION OF THE MANUAL ON UNIFORM TRAFFIC CONTROL DEVICES (MUTCD) SHALL BE THE STANDARD FOR ALL TRAFFIC CONTROL DEVICES. EXISTING SIGNS AND MARKINGS SHALL BE VALID UNTIL SUCH TIME AS THEY ARE REPLACED OR RECONSTRUCTED. WHEN NEW TRAFFIC DEVICES ARE ERECTED, OR EXISTING TRAFFIC CONTROL DEVICES ARE REPLACED OR REPAIRED, THE EQUIPMENT, DESIGN, METHOD OF INSTALLATION, PLACEMENT OR REPAIR SHALL CONFORM WITH SUCH STANDARDS.
6. NO CONSTRUCTION SIGNS SHALL BE INSTALLED AS TO INTERFERE OR OBSTRUCT THE VIEW OF EXISTING TRAFFIC CONTROL DEVICES, STOPPING SIGHT DISTANCE, AND CORNER SIGHT DISTANCE FROM DRIVES AND TOWN HIGHWAYS.
7. ALL PERMANENT SIGNS THAT CONFLICT WITH TEMPORARY TRAFFIC CONTROL SHALL BE COMPLETELY COVERED, THE PAYMENT FOR WHICH SHALL BE INCLUDED IN THE UNIT PRICE BID FOR ITEM 641.10 TRAFFIC CONTROL.
8. THE CONTRACTOR SHALL INCLUDE A CONSTRUCTION SIGN PACKAGE FOR EXPECTED LANE CLOSURES AND WORK ZONE SPEED REDUCTIONS IN COMPLIANCE WITH THE LATEST EDITION OF THE MUTCD. PAYMENT FOR PROVIDING THIS PACKAGE SHALL BE INCLUDED IN THE UNIT PRICE BID FOR ITEM 641.10 TRAFFIC CONTROL.
9. SEE VAOT STANDARD E-100 FOR ADDITIONAL SIGN PLACEMENT DETAILS.
10. CONSTRUCTION ZONE SIGN LAYOUT SHALL BE IN ACCORDANCE WITH SECTION 6 OF THE LATEST EDITION OF THE MANUAL ON UNIFORM TRAFFIC CONTROL DEVICES (MUTCD).
11. CONSTRUCTION SIGNS SHALL BE IN NEW OR LIKE NEW CONDITION PER VAOT STANDARDS AND SPECIAL PROVISIONS.
12. DIAMOND SHAPED SIGNS SHALL BE 4' x 4' WITH BLACK TEXT AND BORDER ON A RETROREFLECTIVE FLUORESCENT ORANGE BACKGROUND.
13. RETROREFLECTIVE SHEETING SHALL BE TYPE III OR VIII AS NOTED ON VAOT STANDARD E-100 AND IN THE SPECIAL PROVISIONS.
14. CONSTRUCTION ZONE SIGNS SHALL BE INSTALLED AS OUTLINED IN THE SPECIAL PROVISIONS.
15. WHERE TEMPORARY SIGNS ARE PLACED BEHIND GUARDRAIL, THEY SHALL BE ADJUSTED SUCH THAT THE BOTTOM OF THE SIGNS ARE ABOVE THE TOP OF GUARDRAIL.
16. AS THE PAVING OPERATION MOVES, FLAGGER SIGNS SHALL BE MOVED ACCORDINGLY. AT NO TIME SHOULD THE FLAGGER SYMBOL SIGN BE MORE THAN 1000 FEET FROM THE FLAGGER STATION. FLAGGER SIGNS SHALL BE COVERED OR TURNED AWAY FROM TRAFFIC WHEN FLAGGING OPERATIONS CEASE FOR LONGER THAN 15 MINUTES.
17. THE PROPER METHOD IN ACCORDANCE WITH STANDARD E-106, SHALL BE USED TO CLEARLY DEFINE THE TRAVEL SPACE AND PROVIDE SEPARATION FROM THE WORK SPACE ALONG ITS ENTIRE LENGTH.
18. WHERE TEMPORARY WIDENING OCCURS AT FINAL ROADWAY GRADE, MAINLINE TYPICAL DEPTHS SHALL BE USED.
19. THE PAVEMENT WEARING COURSE SHALL BE APPLIED AFTER FULL DEPTH RECONSTRUCTION HAS BEEN COMPLETED.
20. CONFIGURE TEMPORARY ROADWAY AS INDICATED AND MAINTAIN 11'-0" LANES AND 1'-0" SHOULDERS FOR EACH DIRECTION.
21. TEMPORARY PAVEMENT MARKINGS THAT WILL BE LEFT FOR THE WINTER MONTHS SHALL BE APPLIED IN ACCORDANCE WITH SUBSECTION 646.10.
22. LINE STRIPING TARGETS IN CONJUNCTION WITH "DO NOT PASS" SIGNS SHALL BE USED ON WEARING COURSES OF PAVEMENT PRIOR TO APPLYING DURABLE MARKINGS. THE "DO NOT PASS" SIGNS WILL NOT BE PAID FOR DIRECTLY, BUT WILL BE CONSIDERED INCIDENTAL TO THE CONTRACT ITEM LINE STRIPING TARGETS.
23. REFERENCE TRAFFIC CONTROL PLAN SHEETS FOR ALL ALIGNMENT SHIFTS.



LEGEND	
ERW	= END ROAD WORK
RW500	= ROAD WORK 500 FT
RWA	= ROAD WORK AHEAD
PCMS	= PORTABLE CHANGEABLE MESSAGE SIGN
	= PHASE I CONSTRUCTION
	= TEMPORARY WIDENING FOR PHASE I TRAFFIC
	= PHASE II CONSTRUCTION

PROJECT NAME:	CABOT-DANVILLE
PROJECT NUMBER:	FEGC F 028-3(26) C/1
FILE NAME:	d78d058frm.dgn
PROJECT LEADER:	K. ROBIE
DESIGNED BY:	I. SHEA
TRAFFIC CONTROL TYPICAL	
PLOT DATE:	08-DEC-2010
DRAWN BY:	I. SHEA
CHECKED BY:	S. MENARD
SHEET	71 OF 250