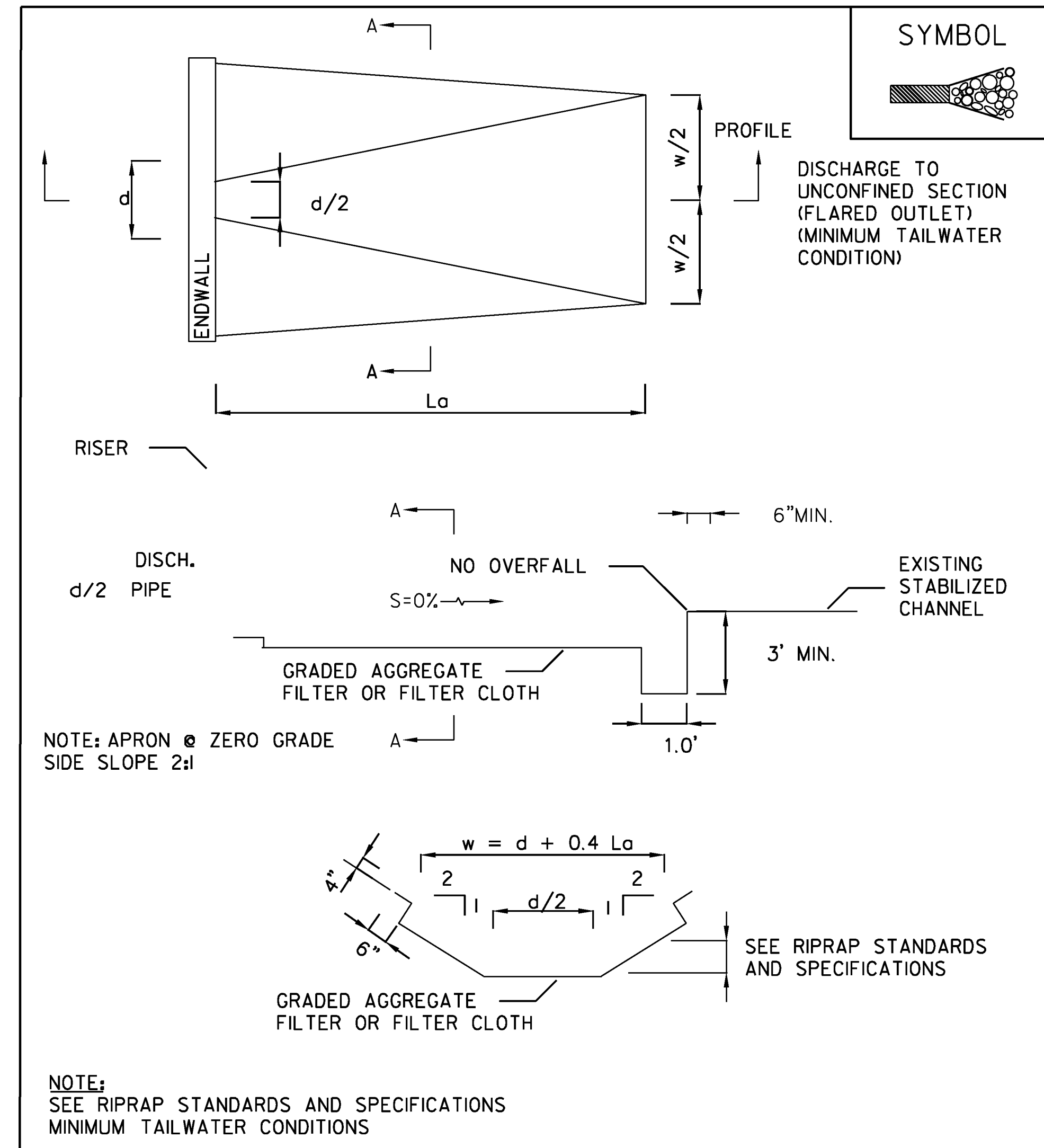


ADAPTED FROM DETAILS PROVIDED BY: NEW YORK STATE DEC
ORIGINALLY DEVELOPED BY USDA-NRCS
VERMONT DEPARTMENT OF ENVIRONMENTAL CONSERVATION

RIPRAP OUTLET PROTECTION EXAMPLE

NOTES:
REFER TO "THE VERMONT STANDARDS & SPECIFICATIONS FOR EROSION PREVENTION & SEDIMENT CONTROL -2006-" FROM THE VT AGENCY OF NATURAL RESOURCES FOR ADDITIONAL GUIDANCE.

THIS WORK SHALL BE PAID FOR UNDER STONE FILL TYPE I, II, IV (PAY ITEM 613.10, 613.11, 613.13).

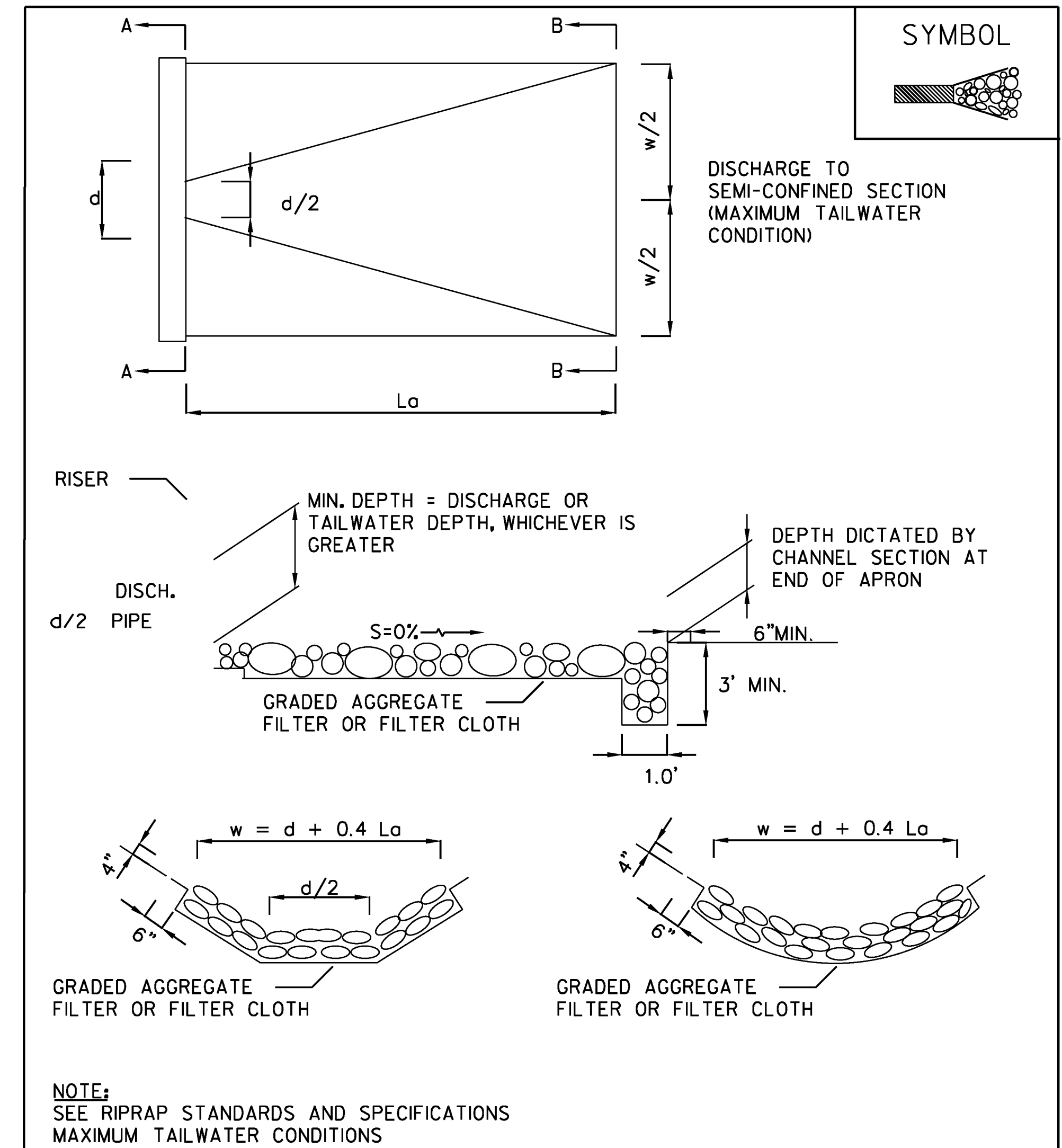


ADAPTED FROM DETAILS PROVIDED BY: NEW YORK STATE DEC
ORIGINALLY DEVELOPED BY USDA-NRCS
VERMONT DEPARTMENT OF ENVIRONMENTAL CONSERVATION

RIPRAP OUTLET PROTECTION EXAMPLE

NOTES:
REFER TO "THE VERMONT STANDARDS & SPECIFICATIONS FOR EROSION PREVENTION & SEDIMENT CONTROL -2006-" FROM THE VT AGENCY OF NATURAL RESOURCES FOR ADDITIONAL GUIDANCE.

THIS WORK SHALL BE PAID FOR UNDER STONE FILL TYPE I, II, IV (PAY ITEM 613.10, 613.11, 613.13).



ADAPTED FROM DETAILS PROVIDED BY: NEW YORK STATE DEC
ORIGINALLY DEVELOPED BY USDA-NRCS
VERMONT DEPARTMENT OF ENVIRONMENTAL CONSERVATION

RIPRAP OUTLET PROTECTION EXAMPLE

NOTES:
REFER TO "THE VERMONT STANDARDS & SPECIFICATIONS FOR EROSION PREVENTION & SEDIMENT CONTROL -2006-" FROM THE VT AGENCY OF NATURAL RESOURCES FOR ADDITIONAL GUIDANCE.

THIS WORK SHALL BE PAID FOR UNDER STONE FILL TYPE I, II, IV (PAY ITEM 613.10, 613.11, 613.13).

PROJECT NAME: CABOT-DANVILLE	PLOT DATE: 13-OCT-2010
PROJECT NUMBER: FECC F 028-3(26) C/1	DRAWN BY: I. SHEA
FILE NAME: d78d058frm.dgn	CHECKED BY: S. Menard
PROJECT LEADER: K. ROBBIE	SHEET 57 OF 250
DESIGNED BY: I. SHEA	
EPSC DETAIL SHEET 4	