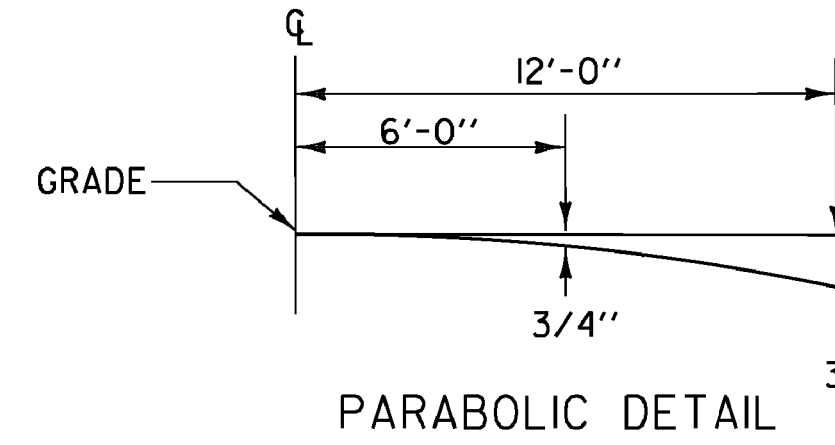


TYPICAL SECTIONS

MATERIAL ITEM	THICKNESS TOLERANCE
PAVEMENT	± 1/4"
SUBBASE	± 1"
SAND BORROW	± 1"

- 1 1/2" SUPERPAVE TYPE IVS BITUMINOUS CONCRETE PAVEMENT
- 5 1/2" SUPERPAVE TYPE IIS BITUMINOUS CONCRETE PAVEMENT (2 - 2 3/4" LIFTS)
- 24" SUBBASE OF DENSE GRADED CRUSHED STONE
- 30" SAND BORROW (3" IN ROCK CUTS)



GENERAL NOTES

MARKER POSTS: TO BE PLACED AS INDICATED OR AS DIRECTED BY THE ENGINEER.

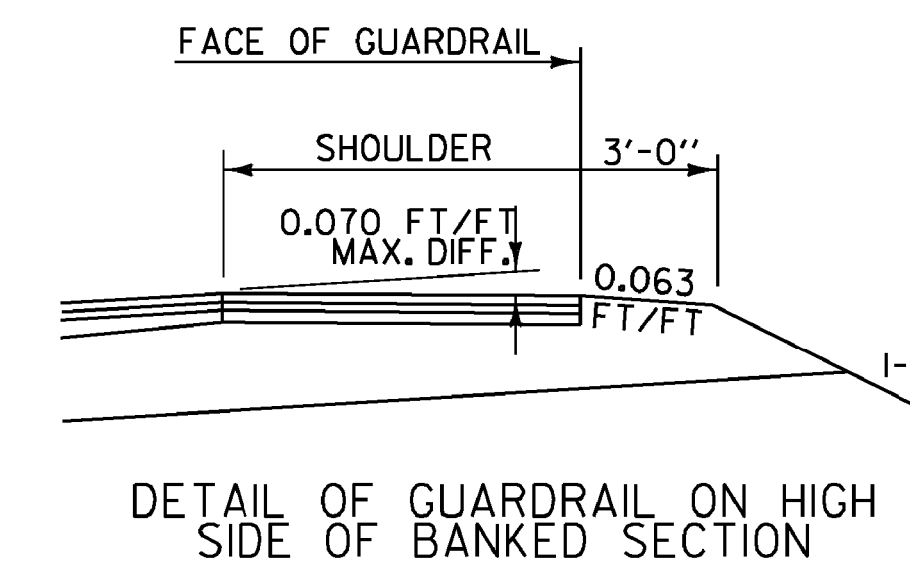
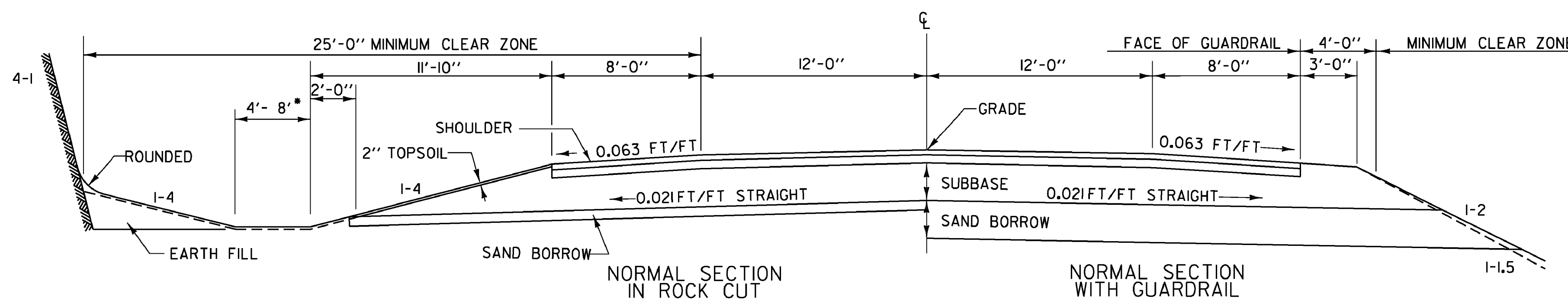
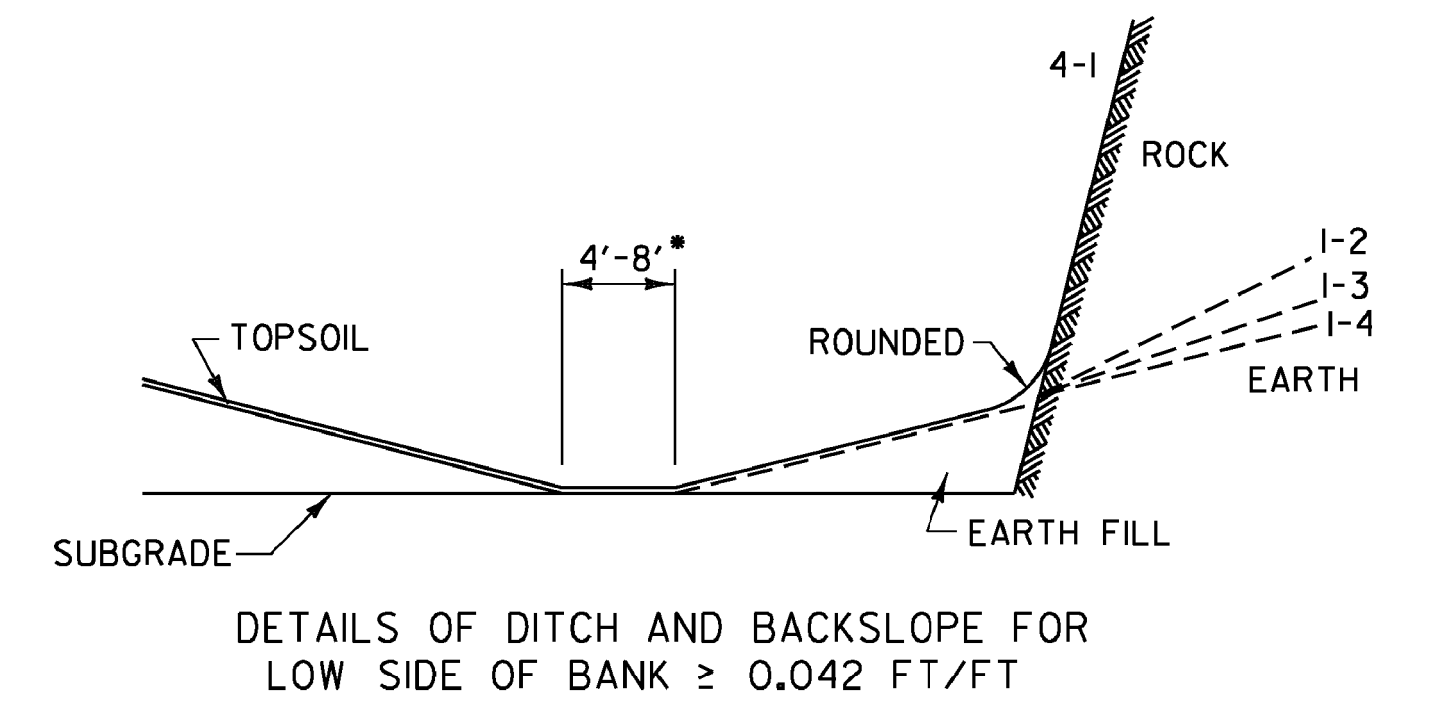
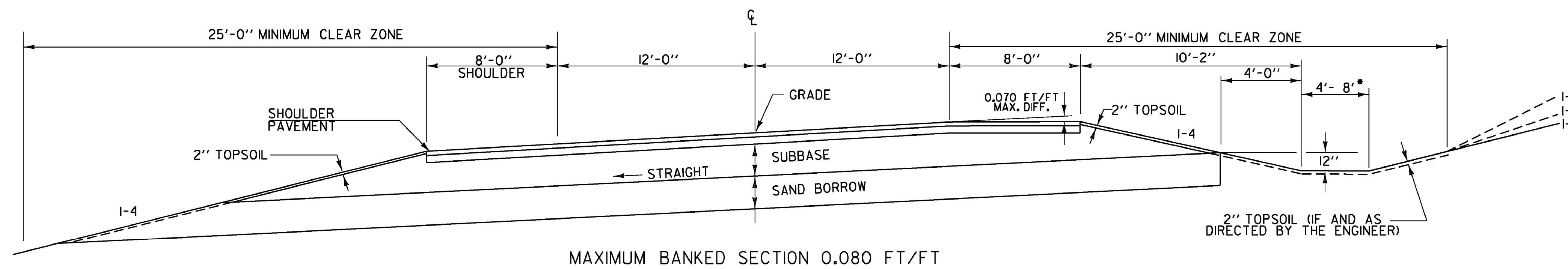
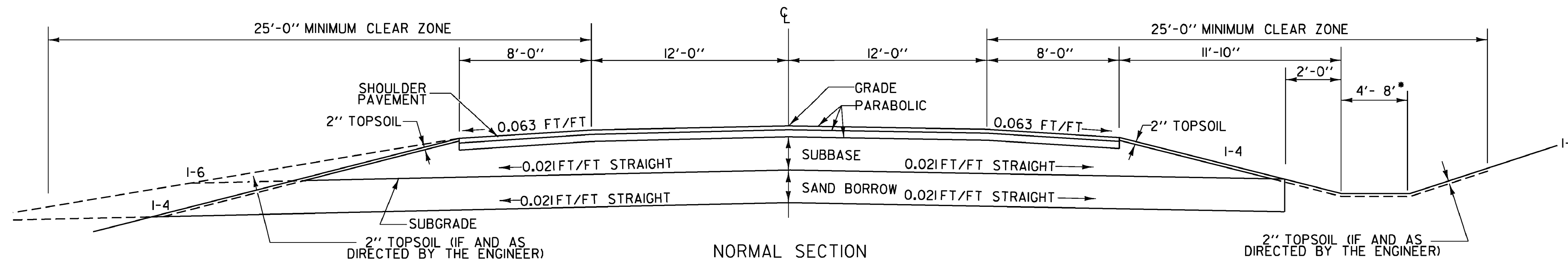
SLOPE ROUNDING: ALL CUT SLOPES TO BE ROUNDED IN ACCORDANCE WITH STANDARD SHEET B-5.

CURBING: FOR CURB PLACEMENT DETAILS SEE STANDARD SHEET C-10 WHERE ITEM 401.10 AGGREGATE SURFACE COURSE SHALL BE USED AS A SUBSTITUTE FOR AGGREGATE SHOULDERS AS SHOWN ON THE STANDARD.

TACK COAT: EMULSIFIED ASPHALT IS TO BE APPLIED AT THE RATE OF 0.025 GAL/SY BETWEEN SUCCESSIVE COURSES OF PAVEMENT AS DIRECTED BY THE ENGINEER.

ALL PAVEMENT INCLUDING HAND-PLACED BITUMINOUS CONCRETE MATERIAL FOR THE DRIVES SHALL BE PAID UNDER ITEM 490.30 SUPERPAVE BITUMINOUS CONCRETE PAVEMENT.

*SEE LIST BELOW FOR THE WIDTHS AND STATIONING OF JURISDICTIONAL GRASSED LINED DITCHES.



JURISDICTIONAL GRASSED LINED DITCHES

4'-0"-DITCH BOTTOM	
STA. 100+00-114+00, LT	
STA. 121+67-131+00, LT	123+50 & 128+75
STA. 131+93-136+00, LT	- 131+00 LT
146+50 STA. 144+50-151+00, LT	
STA. 146+00-149+00, RT	
STA. 165+50-168+50, LT	
STA. 172+50-177+00, LT	
6'-0"-DITCH BOTTOM	
STA. 119+00-121+67, LT	
STA. 131+00-131+93, LT	
STA. 136+00-137+00, LT	
STA. 152+50-156+00, LT	
STA. 163+00-165+50, LT	
STA. 170+20-172+50, LT	
8'-0"-DITCH BOTTOM	
140+25 STA. 137+00-144+00, LT	
STA. 157+00-162+00, LT	
STA. 168+50-170+20, LT	

FOR SLOPES IN SOLID ROCK EXCAVATION AND DRILLING AND BLASTING OF SOLID ROCK SUBGRADE, SEE STANDARD SHEET A-60.

SEE SHEET 5 FOR SHOULDER SAFETY EDGE DETAIL

PROJECT NAME: CABOT-DANVILLE
PROJECT NUMBER: FEGC F 028-3(26) C/1

FILE NAME: d78d058frm.dgn PLOT DATE: 07-DEC-2010
PROJECT LEADER: K. ROBBIE DRAWN BY: I. SHEA
DESIGNED BY: I. SHEA CHECKED BY: S. MENARD
TYPICAL SECTIONS 1 SHEET 3 OF 250

NOT TO SCALE