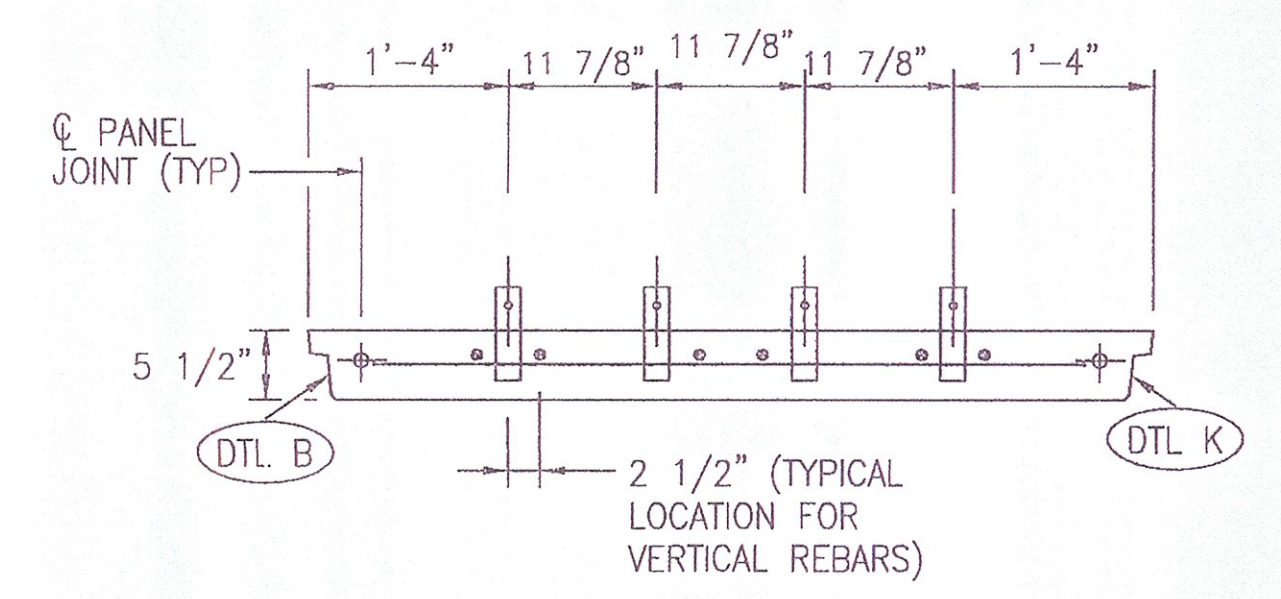
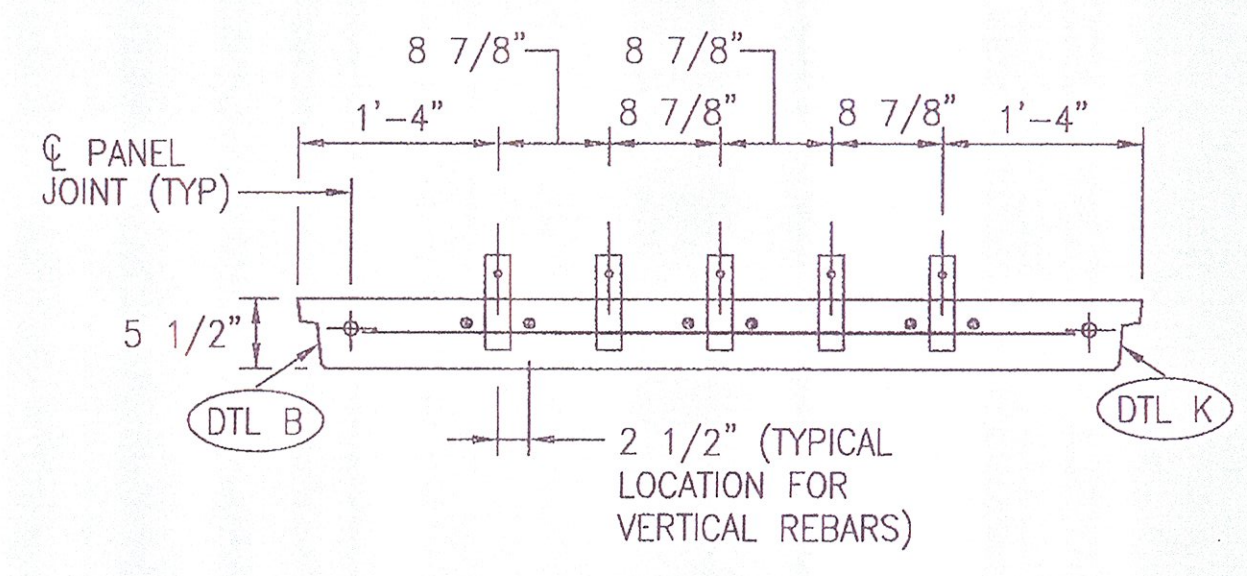


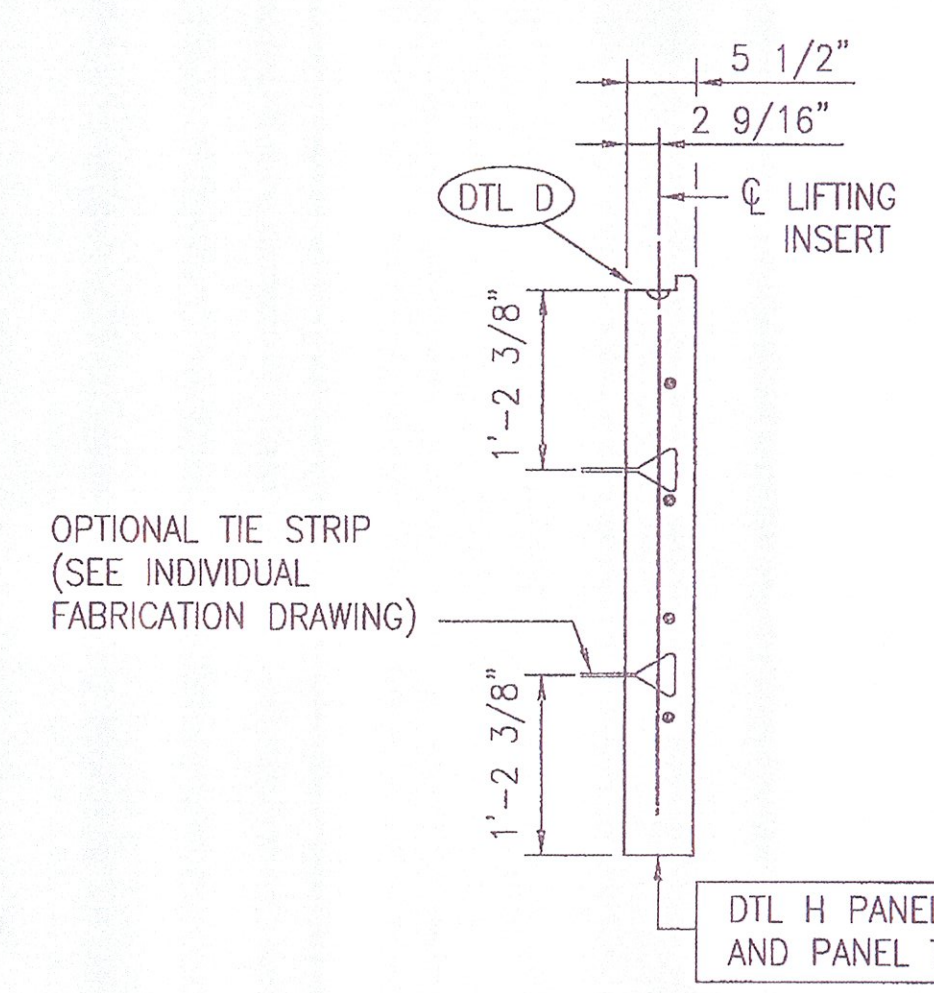
SECTION A-A FOR 2 OR 3 T.S. PER LEVEL



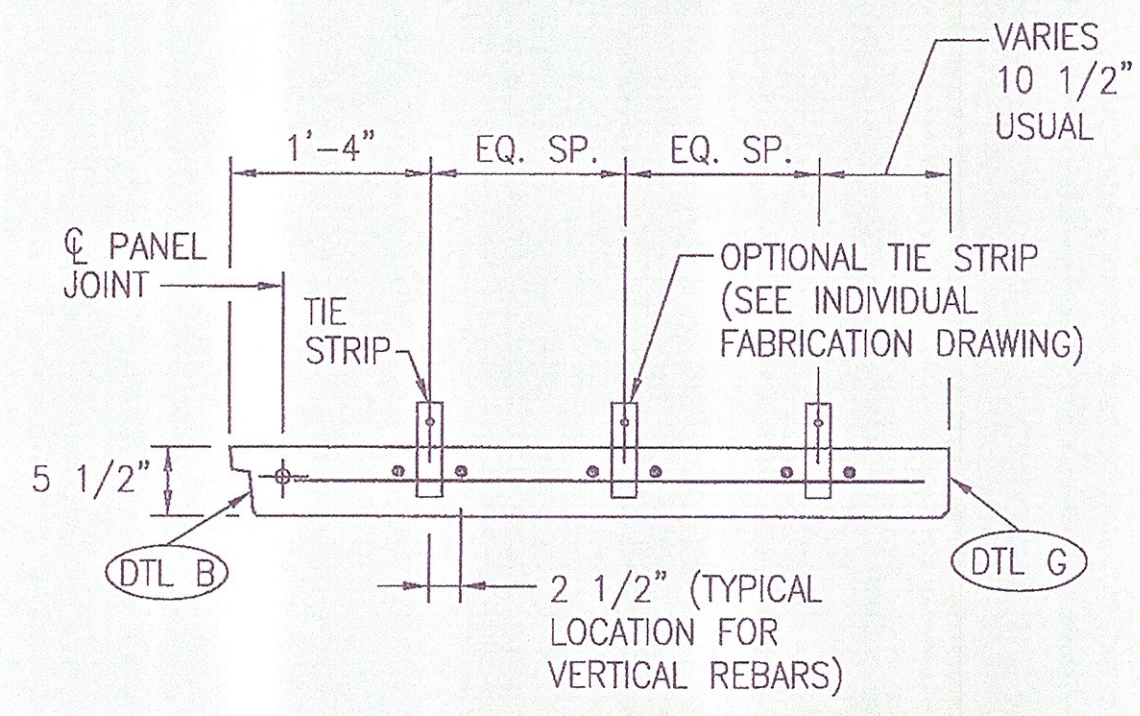
SECTION A-A FOR 4 T.S. PER LEVEL



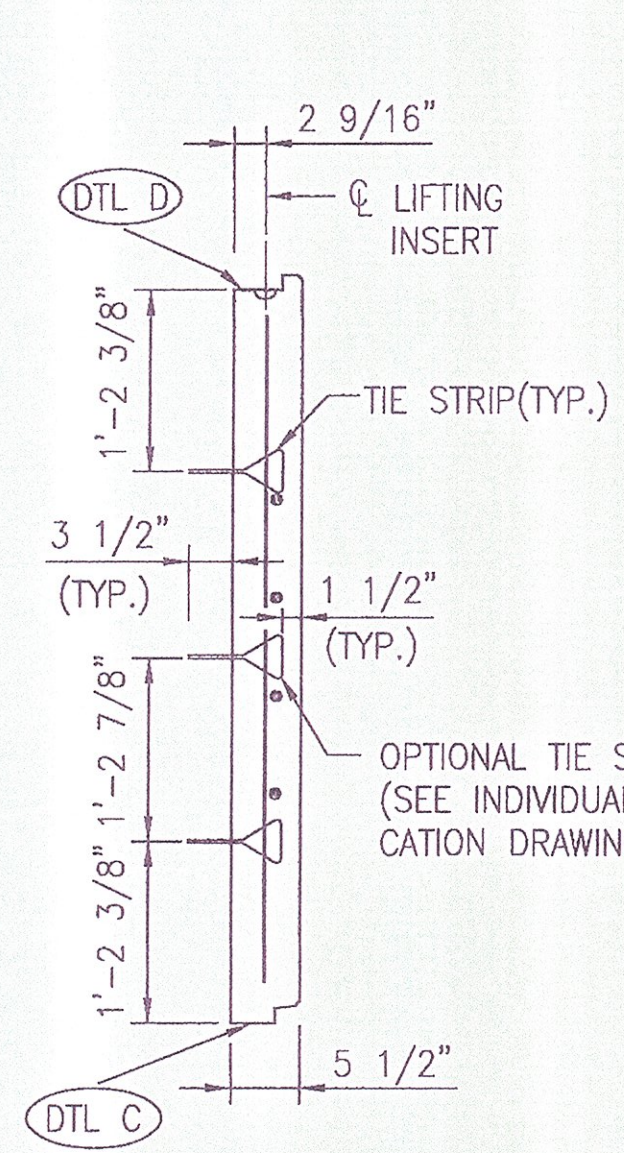
SECTION A-A FOR 5 T.S. PER LEVEL



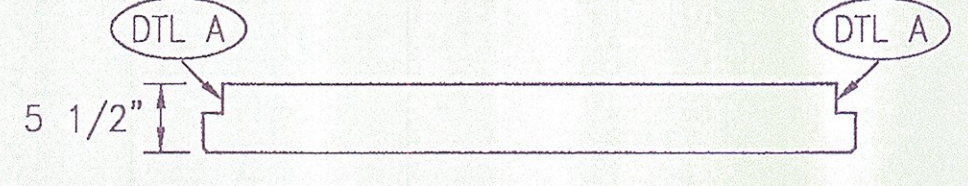
SECTION K-K



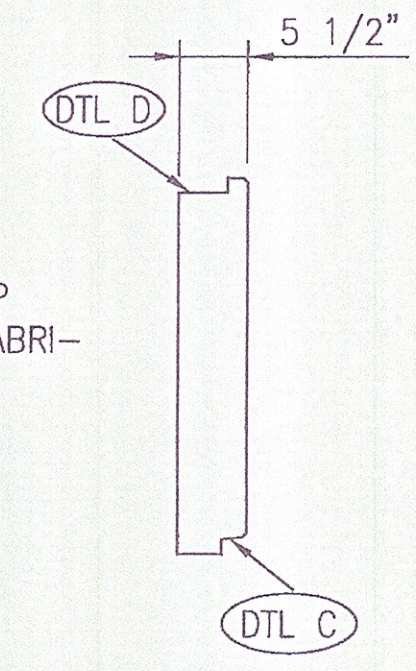
SECTION L-L



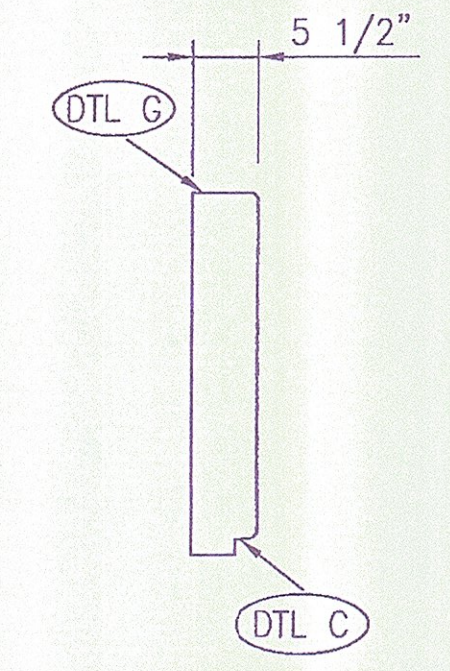
SECTION C-C



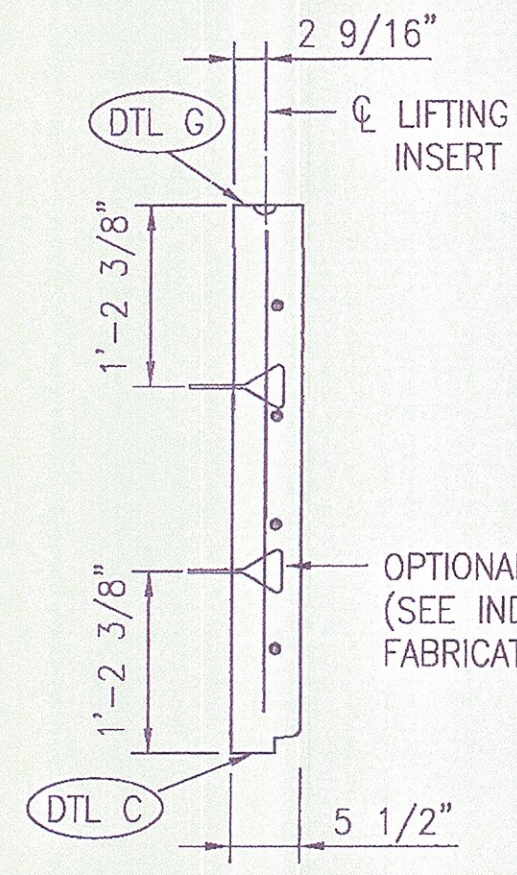
SECTION B-B



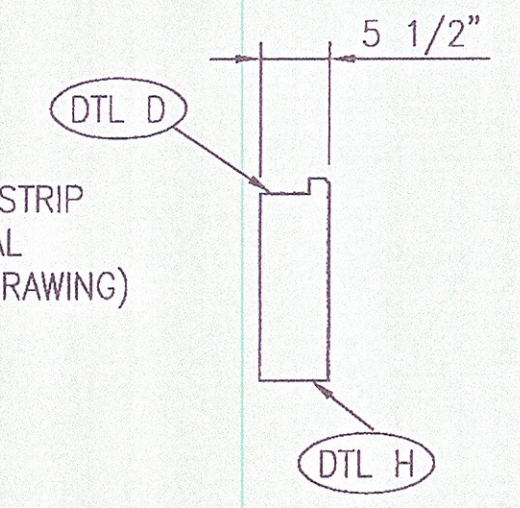
SECTION D-D



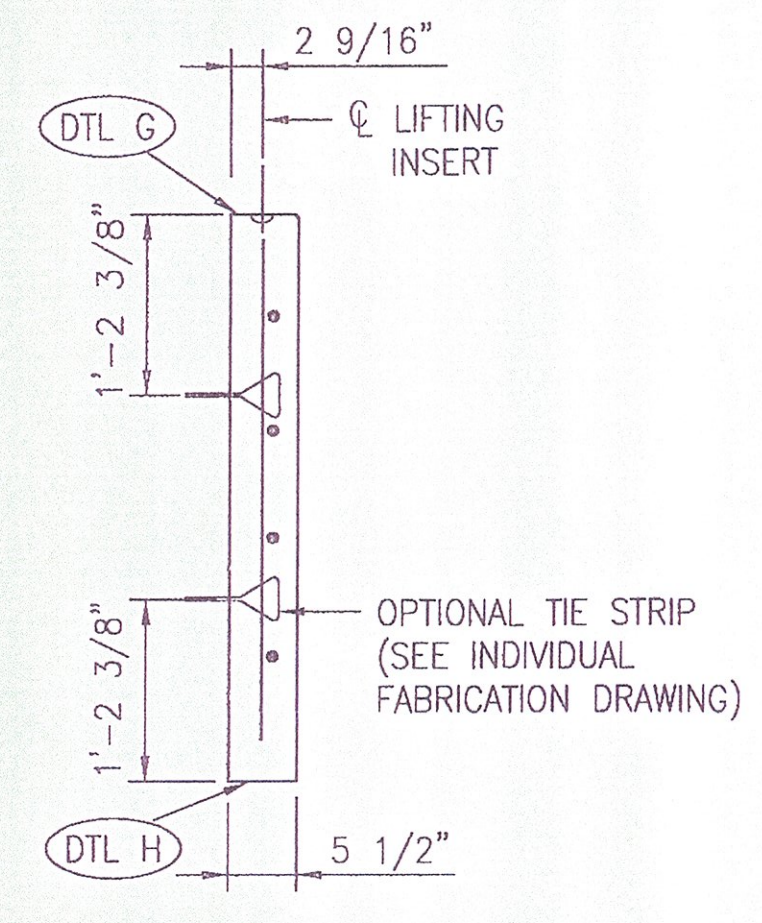
SECTION E-E



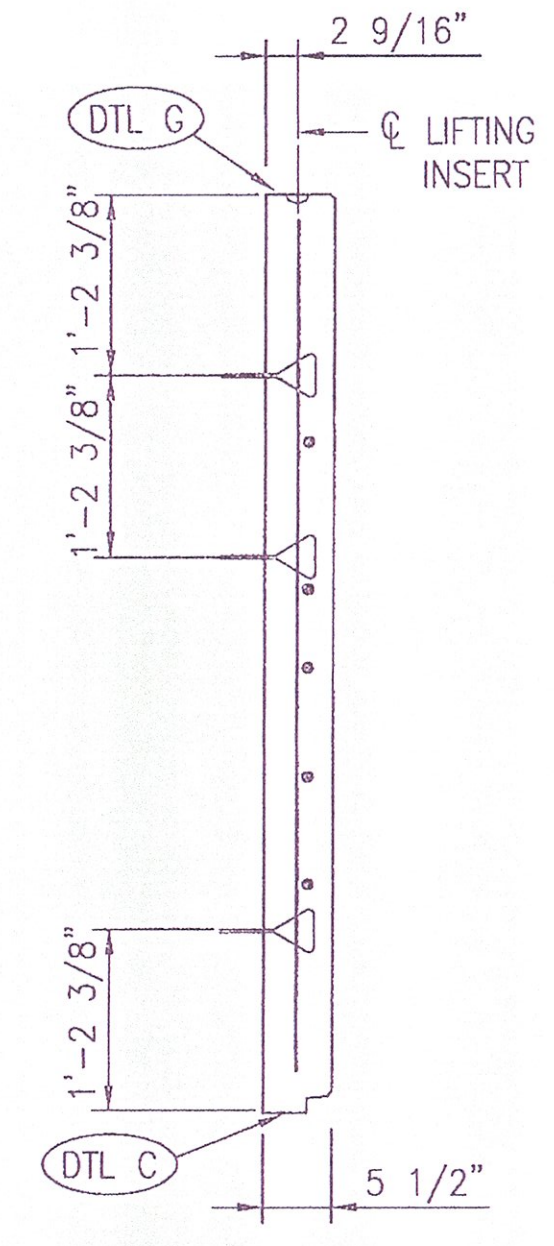
SECTION F-F



SECTION G-G

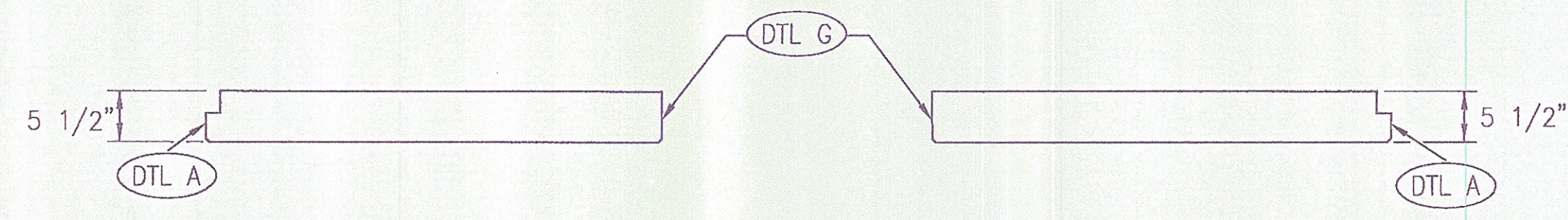


SECTION H-H

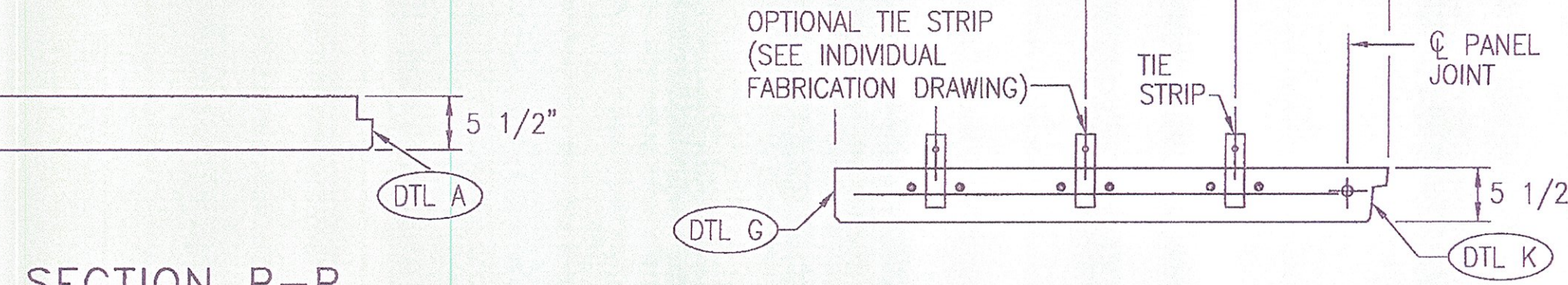


SECTION J-J

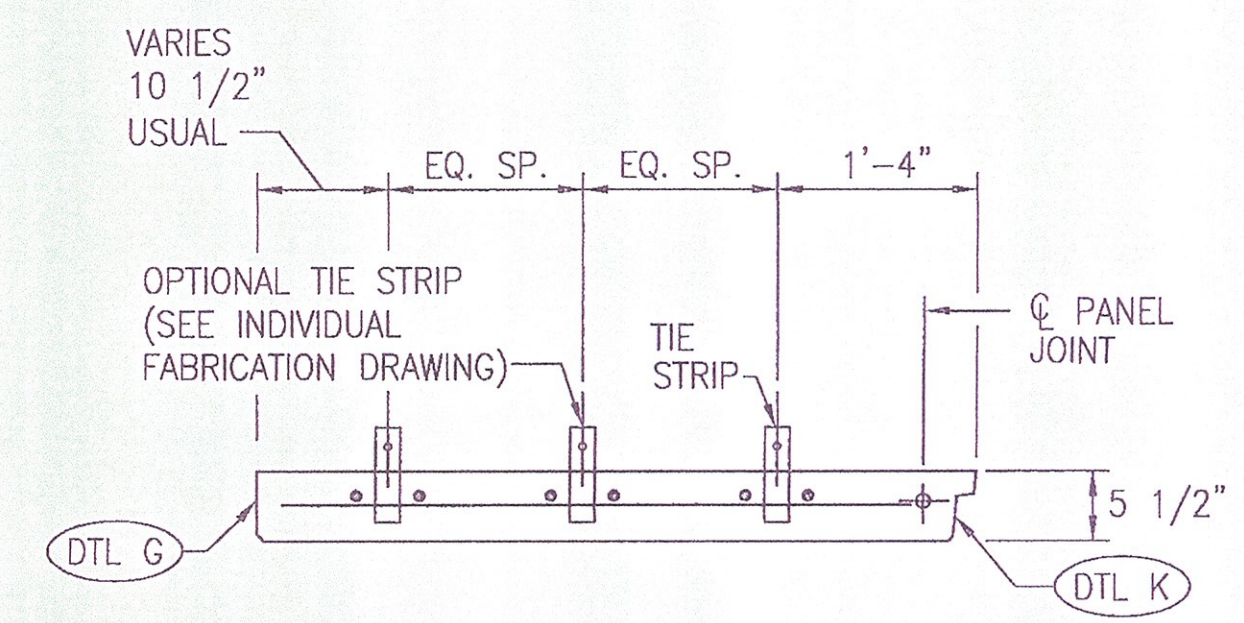
NOTE: ARCHITECTURAL FINISH NOT SHOWN FOR CLARITY



SECTION M-M



SECTION P-P



SECTION R-R

SEE INDIVIDUAL FABRICATION DRAWING FOR PLACEMENT OF REBARS.

APPROVED  Approved as Noted   
 Revised and Resubmit  DISAPPROVED   
 CHECKING IS ONLY FOR GENERAL CONFORMANCE WITH THE DESIGN CONCEPT OF THE PROJECT AND GENERAL COMPLIANCE WITH THE INFORMATION GIVEN IN THE CONTRACT DOCUMENTS. ANY ACTION SHOWN IS SUBJECT TO THE REQUIREMENTS OF THE PLANS AND SPECIFICATIONS. CONTRACTOR IS RESPONSIBLE FOR DIMENSIONS WHICH SHALL BE CONFIRMED AND CORRECTED AT THE JOB SITE. FABRICATION PROCESSES AND TECHNIQUES OF CONSTRUCTION; COORDINATION OF HIS WORK WITH THAT OF ALL OTHER TRADES AND THE SATISFACTORY PERFORMANCE OF HIS WORK.  
 GREEN INTERNATIONAL AFFILIATES, INC.  
 CONSULTING ENGINEERS  
 CHECKED BY: *XZ* DATE: 9/11  
 SIGNED BY: *[Signature]* DATE: 9/11

This drawing contains information proprietary to The Reinforced Earth Company, and is being furnished for the use of VTAOT only in connection with this project, and the information contained herein is not to be transmitted to any other organization unless specifically authorized in writing by The Reinforced Earth Company. The Reinforced Earth Company is exclusive licensee in the United States under patents issued to Henri Vidal, and the furnishing of this drawing does not constitute an expressed or implied license under the Vidal patents.

The design contained on these drawings is based on information provided by the owner. On the basis of this information, The Reinforced Earth Company has designed, and is responsible for the internal stability of the structure only. External stability, including foundation (bearing capacity and settlement) and slope (global) stability, is the responsibility of the owner.

**REINFORCED EARTH**  
 8614 Westwood Center Drive, Vienna, VA 22182 (703) 821-1175

"REINFORCED EARTH" is the registered trademark of The Reinforced Earth Company.

DESIGNED BY:	KC	PROJECT NAME:	U.S. ROUTE 2 OVER EXISTING STREAM	DATE:	04/06/2011
PROJECT ENGR:	DTM	LOCATION:	CABOT-DANVILLE, VERMONT	CONTRACT NO.:	RE-15053
CHECKED BY:	EEH/LY	OWNER:	VTAOT	DRAWING NO.:	S2 OF S13
ENG. MANAGER:		DRAWING COVERS:	CRUCIFORM PANEL SECTIONS	SCALE:	AS SHOWN
REV.	DATE	DESCRIPTION			

R:\15053s02.dwg