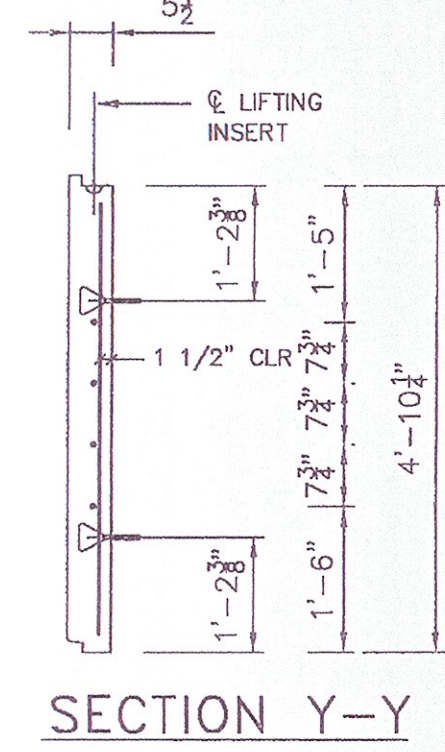
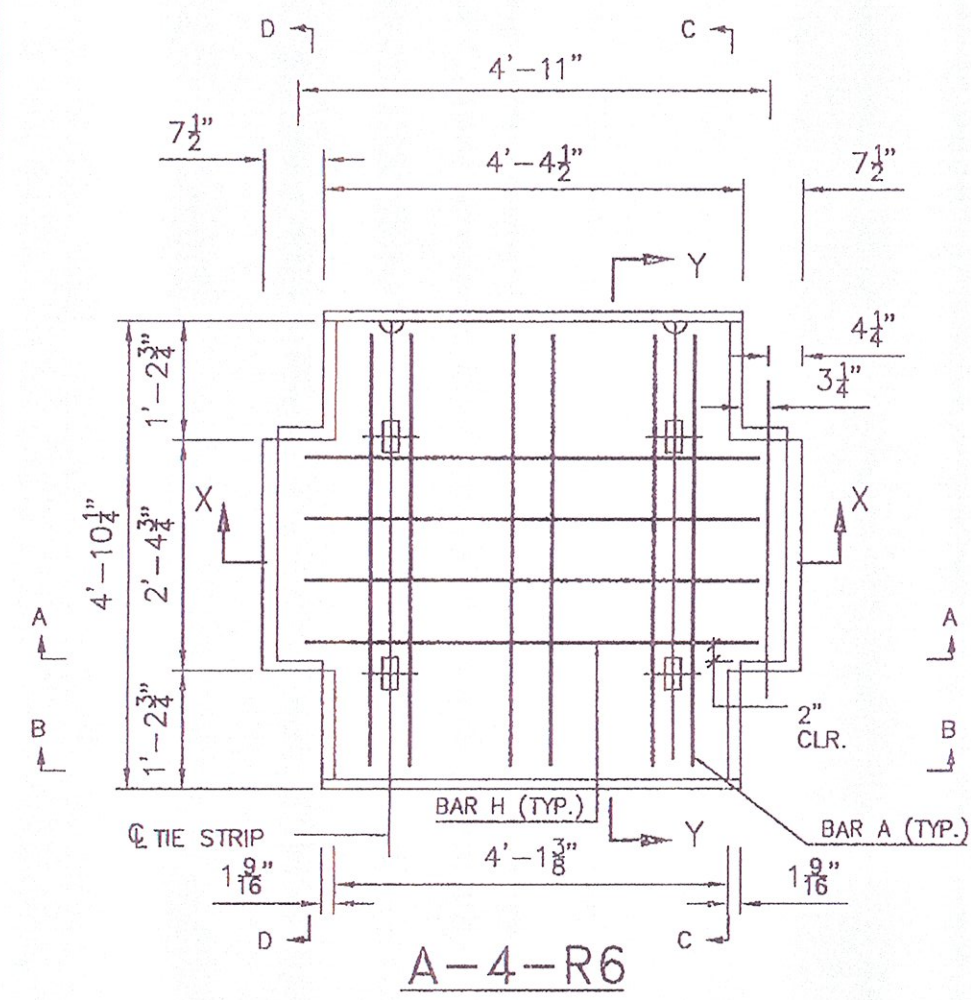


THE PANEL DRAWINGS ON THIS SHEET ARE NOT PROJECT SPECIFIC. THESE DRAWINGS ARE INCLUDED TO DETAIL REBAR SIZES AND PLACEMENT FOR STANDARD PANELS..



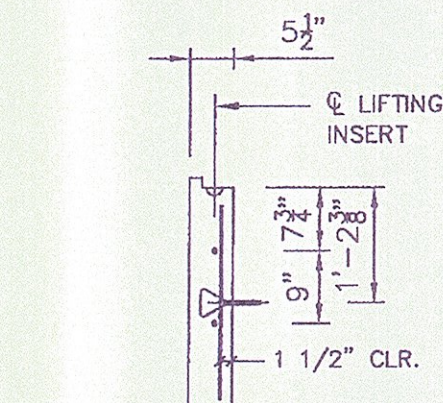
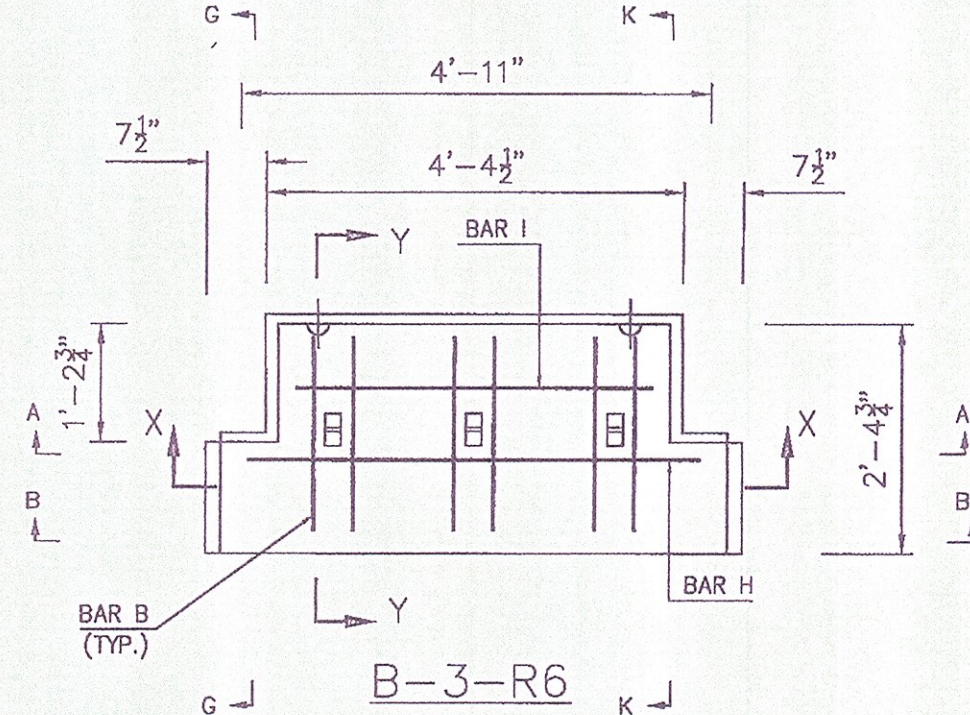
SECTION Y-Y

BILL OF MATERIALS			
REBAR - R6	MARK	QTY.	SIZE
BAR A	6	(#3)	4'-6"
BAR H	4	(#4)	4'-9"
LIFTING INSERTS			
MANUFACTURER	PART NO.	QTY.	
BURKE	79050	2	

REF: SHEET S2 FOR SECTIONS A,B,C & D

PANEL TYPE "A"

SCALE 1/2" = 1'



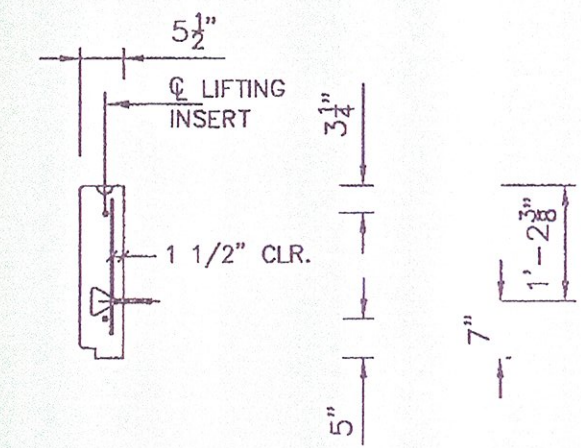
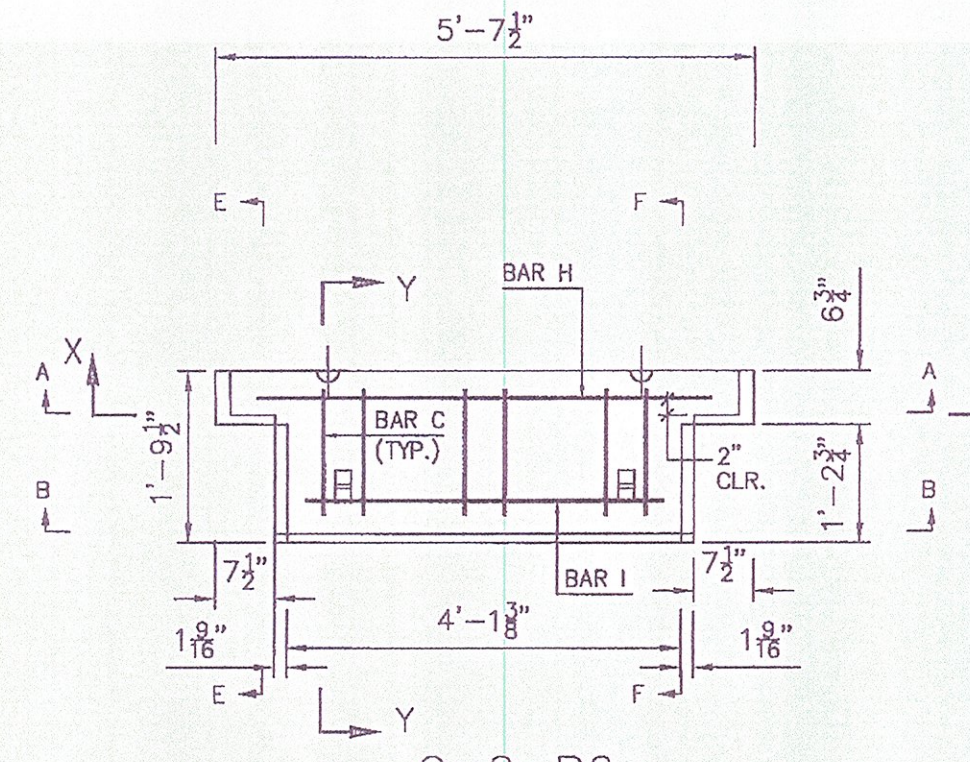
SECTION Y-Y

BILL OF MATERIALS			
REBAR - R6	MARK	QTY.	SIZE
BAR B	6	(#3)	2'-1"
BAR H	1	(#4)	4'-9"
BAR C	1	(#4)	3'-9"
LIFTING INSERTS			
MANUFACTURER	PART NO.	QTY.	
BURKE	79050	2	

REF: SHEET S2 FOR SECTIONS A,B,G & K

PANEL TYPE "B"

SCALE 1/2" = 1'



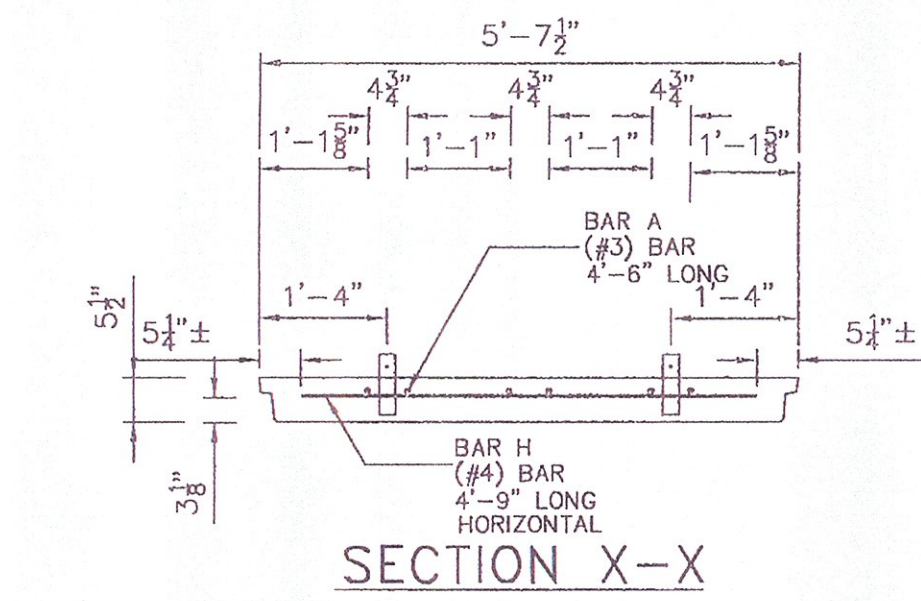
SECTION Y-Y

BILL OF MATERIALS			
REBAR - R6	MARK	QTY.	SIZE
BAR C	6	(#3)	1'-6"
BAR H	1	(#4)	4'-9"
BAR I	1	(#4)	3'-9"
LIFTING INSERTS			
MANUFACTURER	PART NO.	QTY.	
BURKE	79050	2	

REF: SHEET S2 FOR SECTIONS A,B,E & F

PANEL TYPE "C"

SCALE 1/2" = 1'

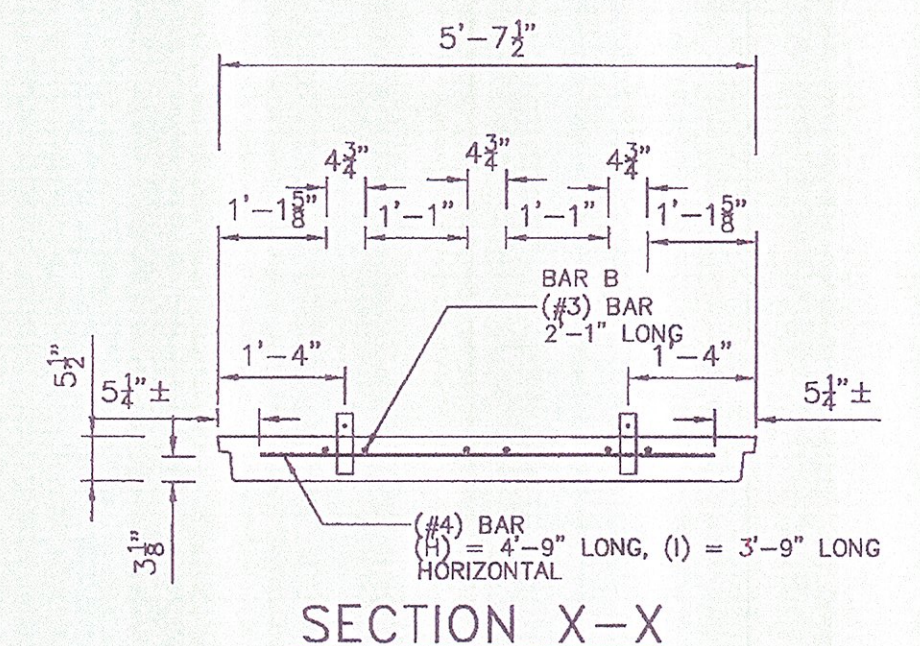


SECTION X-X

REF: SHEET S2 FOR SECTIONS A,B,C & D

PANEL TYPE "A"

SCALE 1/2" = 1'

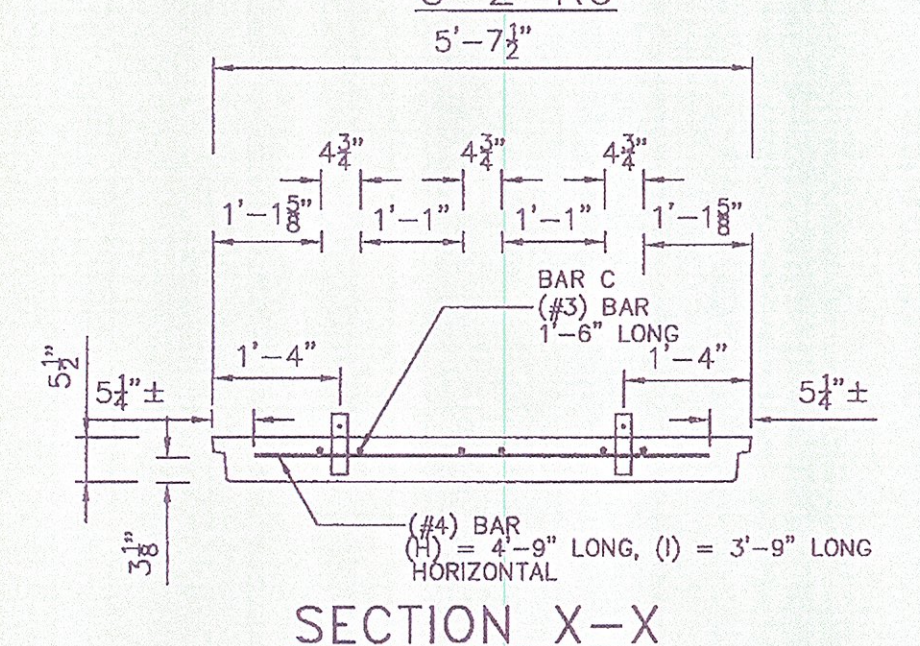


SECTION X-X

REF: SHEET S2 FOR SECTIONS A,B,G & K

PANEL TYPE "B"

SCALE 1/2" = 1'

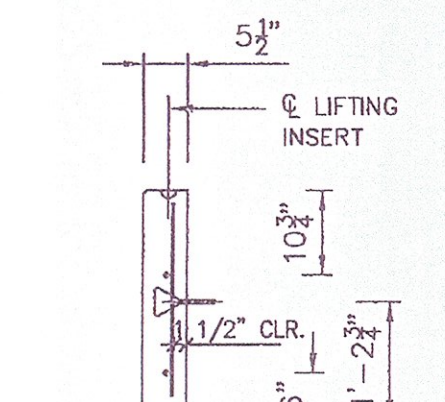
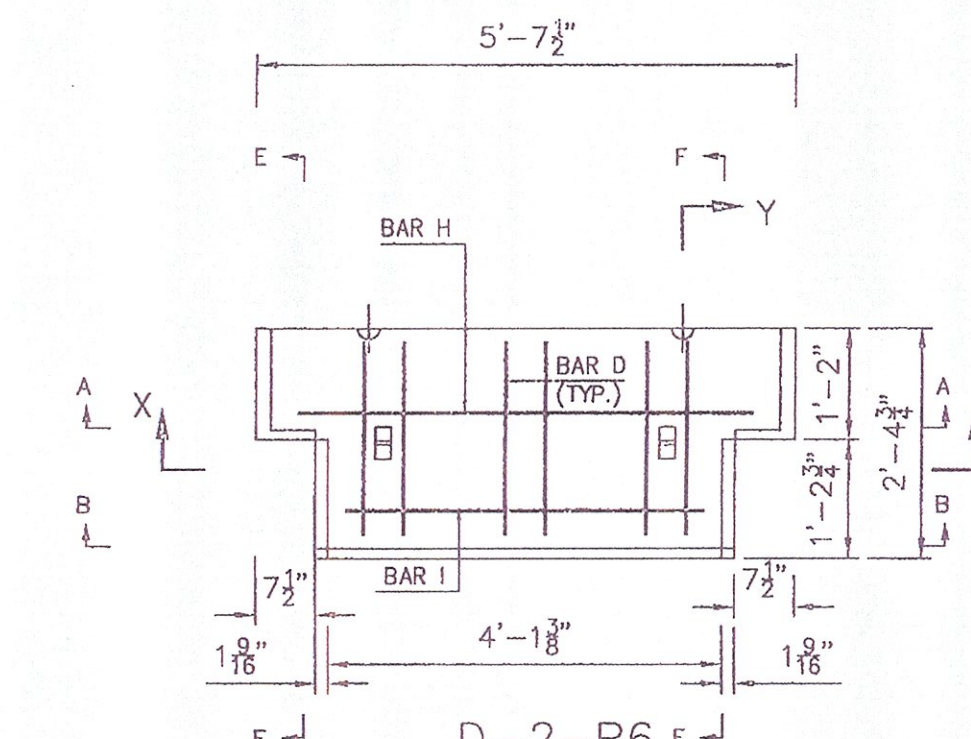


SECTION X-X

REF: SHEET S2 FOR SECTIONS A,B,E & F

PANEL TYPE "C"

SCALE 1/2" = 1'



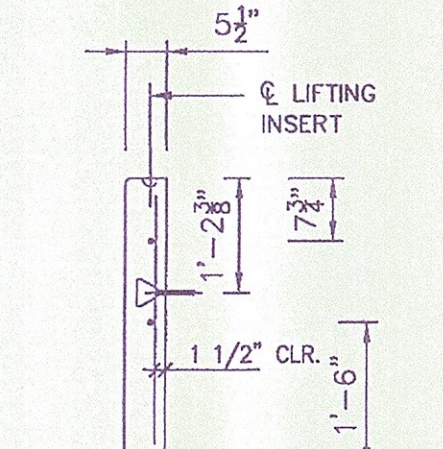
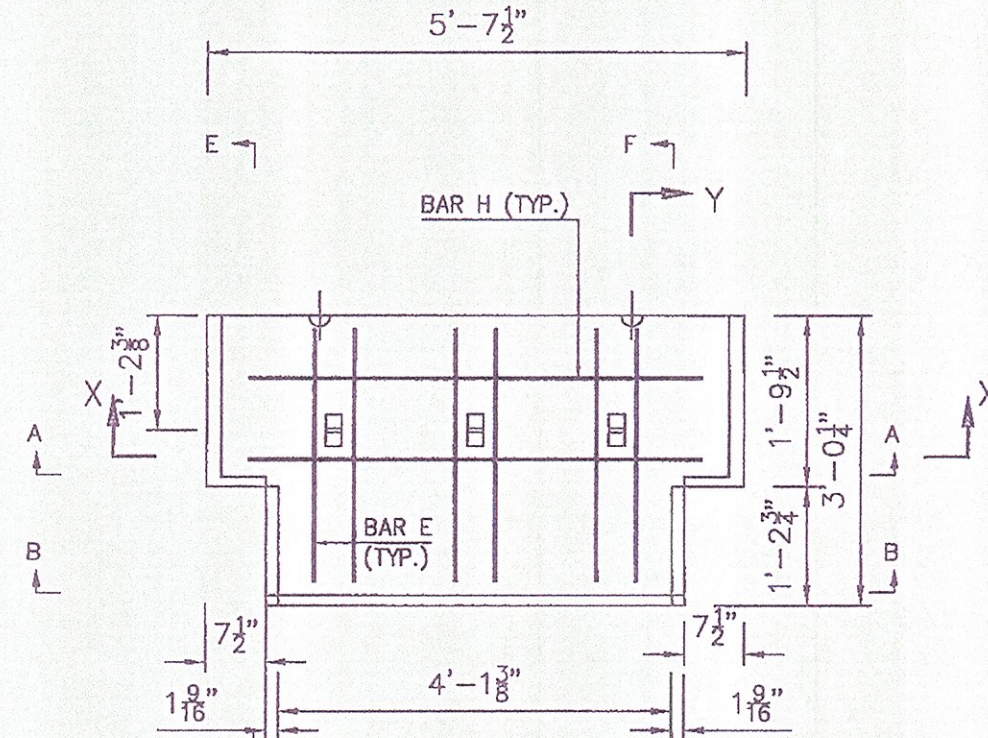
SECTION Y-Y

BILL OF MATERIALS			
REBAR - R6	MARK	QTY.	SIZE
BAR D	6	(#3)	2'-1"
BAR H	1	(#4)	4'-9"
BAR I	1	(#4)	3'-9"
LIFTING INSERTS			
MANUFACTURER	PART NO.	QTY.	
BURKE	79050	2	

REF: SHEET S2 FOR SECTIONS A,B,E & F

PANEL TYPE "D"

SCALE 1/2" = 1'



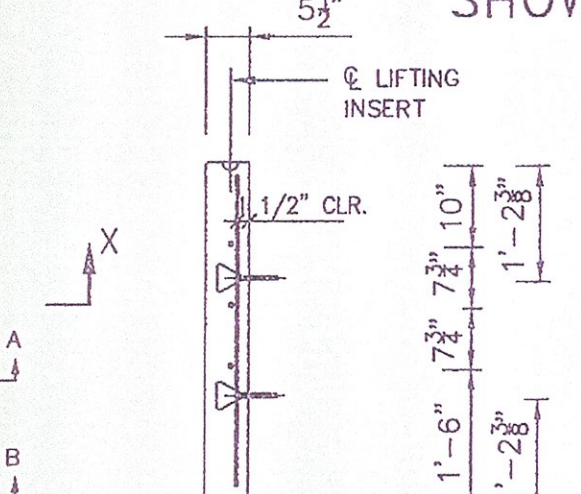
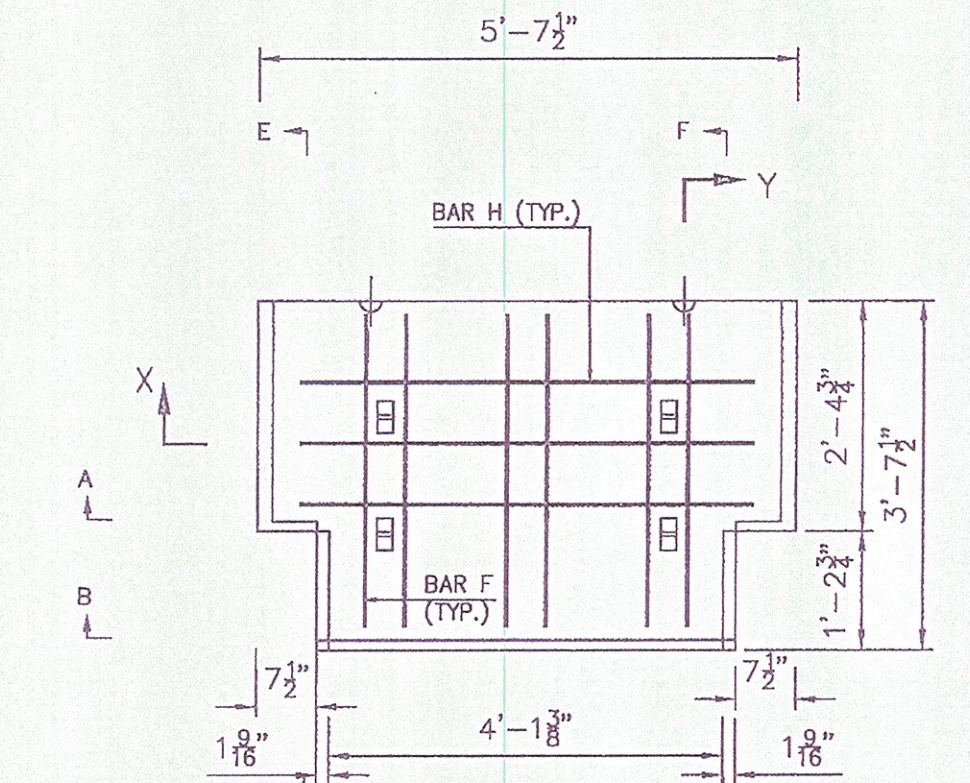
SECTION Y-Y

BILL OF MATERIALS			
REBAR - R6	MARK	QTY.	SIZE
BAR E	6	(#3)	2'-8"
BAR H	2	(#4)	4'-9"
LIFTING INSERTS			
MANUFACTURER	PART NO.	QTY.	
BURKE	79050	2	

REF: SHEET S2 FOR SECTIONS A,B,E & F

PANEL TYPE "E"

SCALE 1/2" = 1'



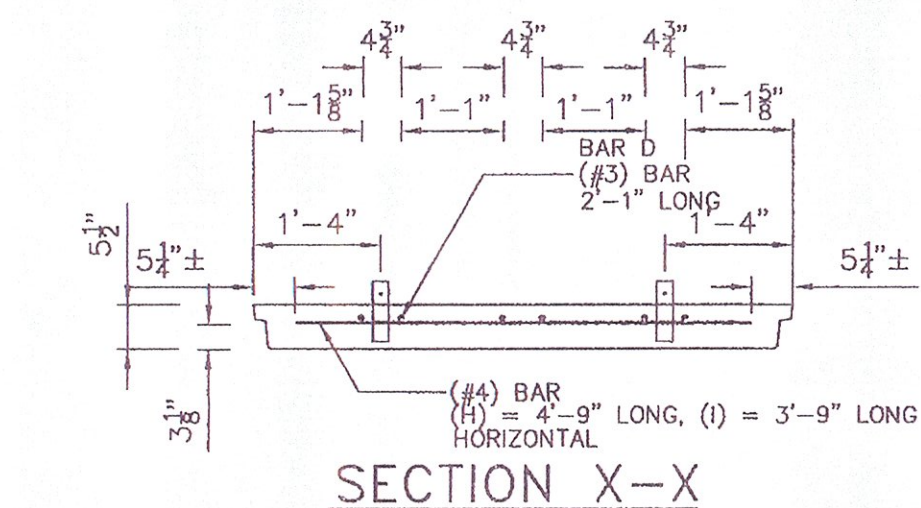
SECTION Y-Y

BILL OF MATERIALS			
REBAR - R6	MARK	QTY.	SIZE
BAR F	6	(#3)	3'-3"
BAR H	3	(#4)	4'-9"
LIFTING INSERTS			
MANUFACTURER	PART NO.	QTY.	
BURKE	79050	2	

REF: SHEET S2 FOR SECTIONS A,B,E & F

PANEL TYPE "F"

SCALE 1/2" = 1'

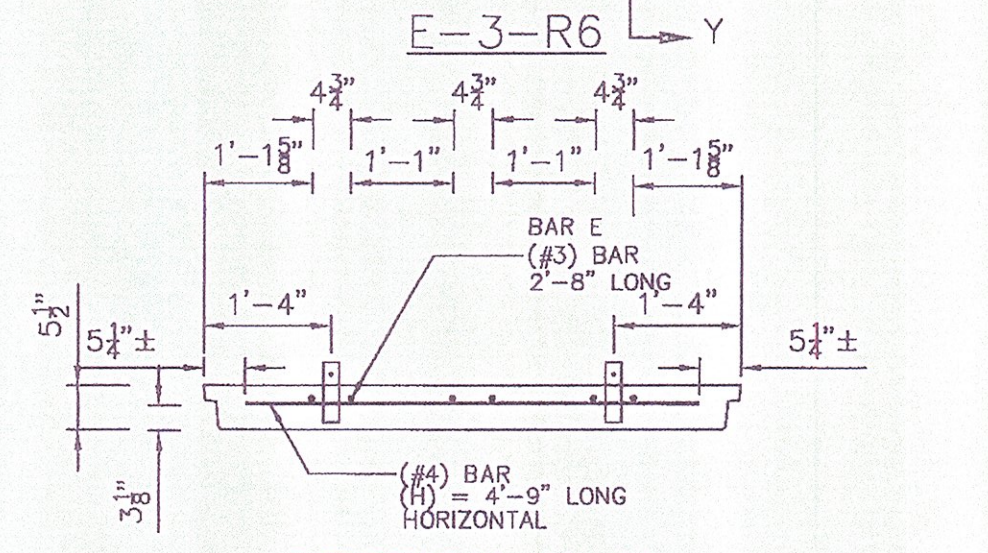


SECTION X-X

REF: SHEET S2 FOR SECTIONS A,B,E & F

PANEL TYPE "D"

SCALE 1/2" = 1'

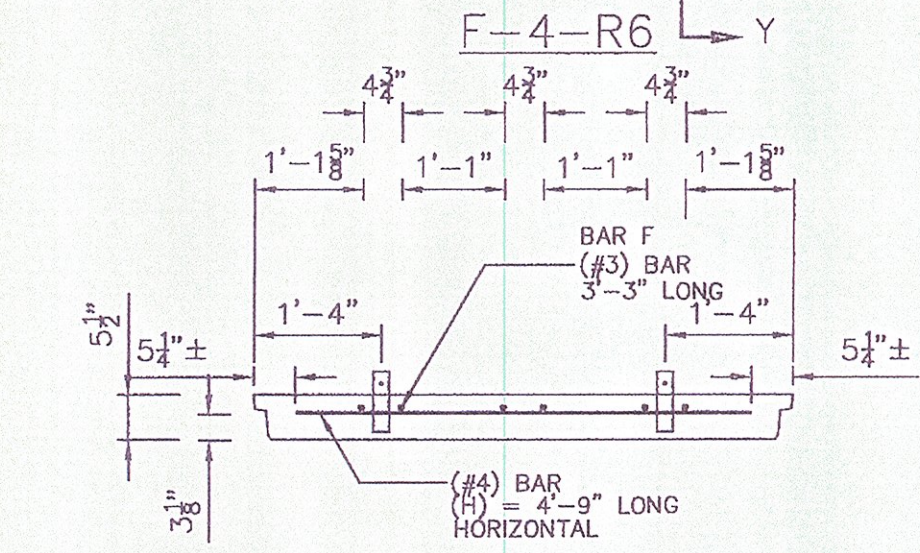


SECTION X-X

REF: SHEET S2 FOR SECTIONS A,B,E & F

PANEL TYPE "E"

SCALE 1/2" = 1'



SECTION X-X

REF: SHEET S2 FOR SECTIONS A,B,E & F

PANEL TYPE "F"

SCALE 1/2" = 1'

ALL PANELS SHOWN BACKFACE. ARCHITECTURAL FINISH NOT SHOWN FOR CLARITY.

APPROVED  Approved as Noted   
 Revises and Resubmits  DISAPPROVED   
 CHECKING IS ONLY FOR GENERAL CONFORMANCE WITH THE DESIGN CONCEPT OF THE PROJECT AND GENERAL COMPLIANCE WITH THE INFORMATION GIVEN IN THE CONTRACT DOCUMENTS. ANY ACTION SHOWN IS SUBJECT TO THE REQUIREMENTS OF THE PLANS AND SPECIFICATIONS. CONTRACTOR IS RESPONSIBLE FOR DIMENSIONS WHICH SHALL BE CONFIRMED AND CORRELATED AT THE JOB SITE; FABRICATION PROCESSES AND TECHNIQUES OF CONSTRUCTION; COORDINATION OF HIS WORK WITH THAT OF ALL OTHER TRADES AND THE SATISFACTORY PERFORMANCE OF HIS WORK.  
 GREEN INTERNATIONAL AFFILIATES, INC.  
 CONSULTING ENGINEERS  
 CHECKED BY: *XZ/L* DATE: 9/11  
 SIGNED BY: *Michael J. Long* DATE: 9/11

This drawing contains information proprietary to The Reinforced Earth Company, and is being furnished for the use of VTAOT only in connection with this project, and the information contained herein is not to be transmitted to any other organization unless specifically authorized in writing by The Reinforced Earth Company. The Reinforced Earth Company is exclusive licensee in the United States under patents issued to Henri Vidal, and the furnishing of this drawing does not constitute an expressed or implied license under the Vidal patents.

The design contained on these drawings is based on information provided by the owner. On the basis of this information, The Reinforced Earth Company has designed, and is responsible for the internal stability of the structure only. External stability, including foundation (bearing capacity and settlement) and slope (global) stability, is the responsibility of the owner.



"REINFORCED EARTH" is the registered trademark of The Reinforced Earth Company.

DESIGNED BY:	KC	PROJECT NAME:	U.S. ROUTE 2 OVER EXISTING STREAM	DATE:	04/06/2011
PROJECT ENGR:	DTM	LOCATION:	CABOT-DANVILLE, VERMONT	CONTRACT NO.:	RE-15053
CHECKED BY:	EEH/LY	OWNER:	VTAOT	DRAWING NO.:	S4 OF S13
ENG. MANAGER:		DRAWING COVERS:	STANDARD PANEL DRAWINGS	SCALE:	AS SHOWN
REV.	DATE	DESCRIPTION			