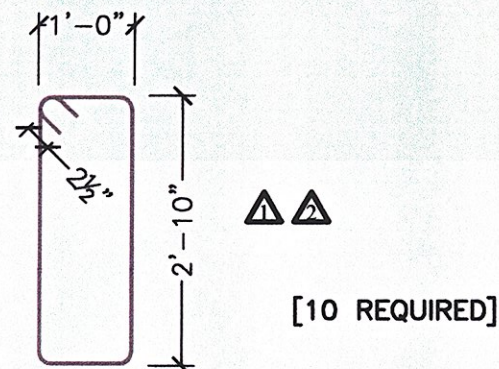
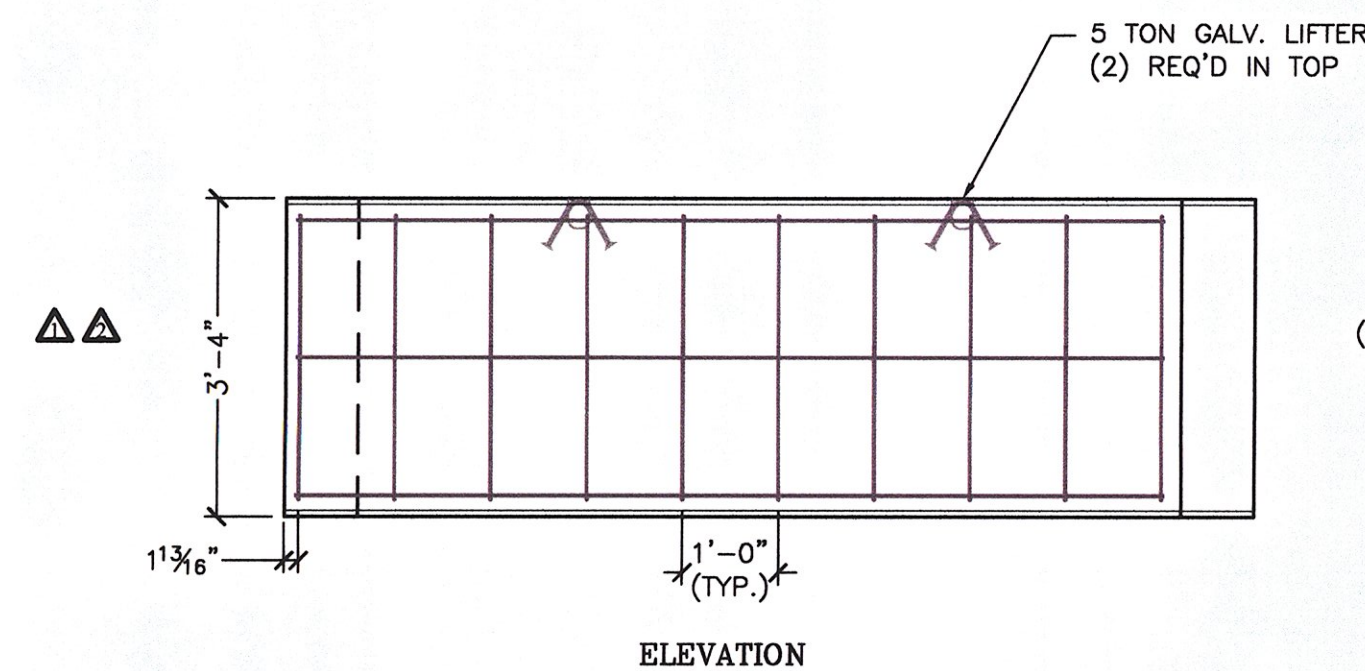


PLAN VIEW



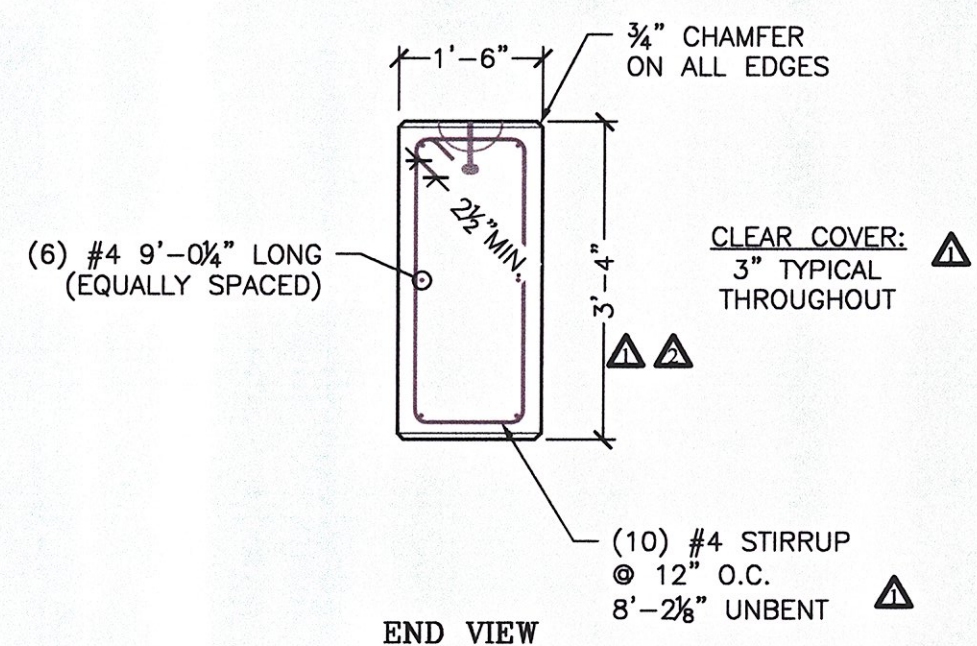
#4 STIRRUP DETAIL



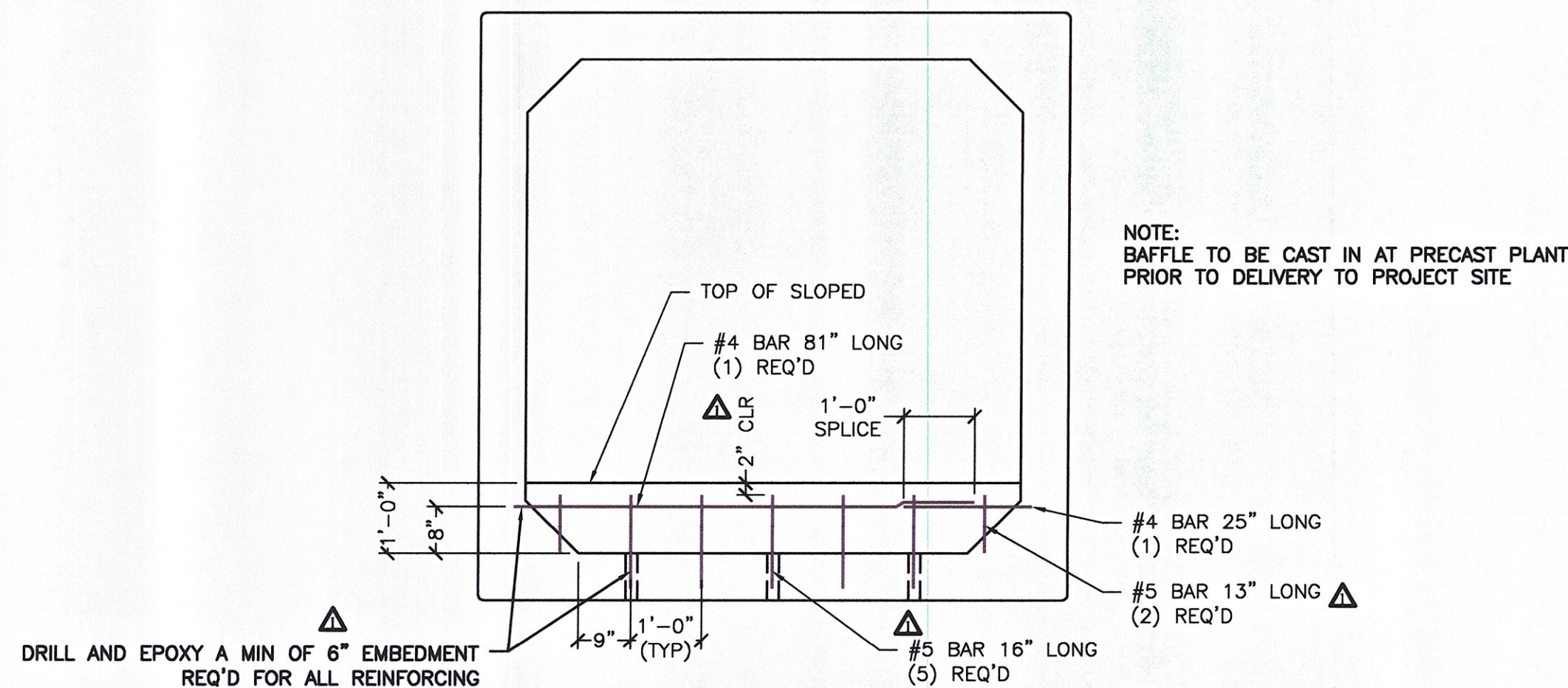
ELEVATION

1 CUTOFF WALL DETAILS
S3.0 1/2" = 1'-0"

2 REQUIRED
(1.73 CY) 7,300#



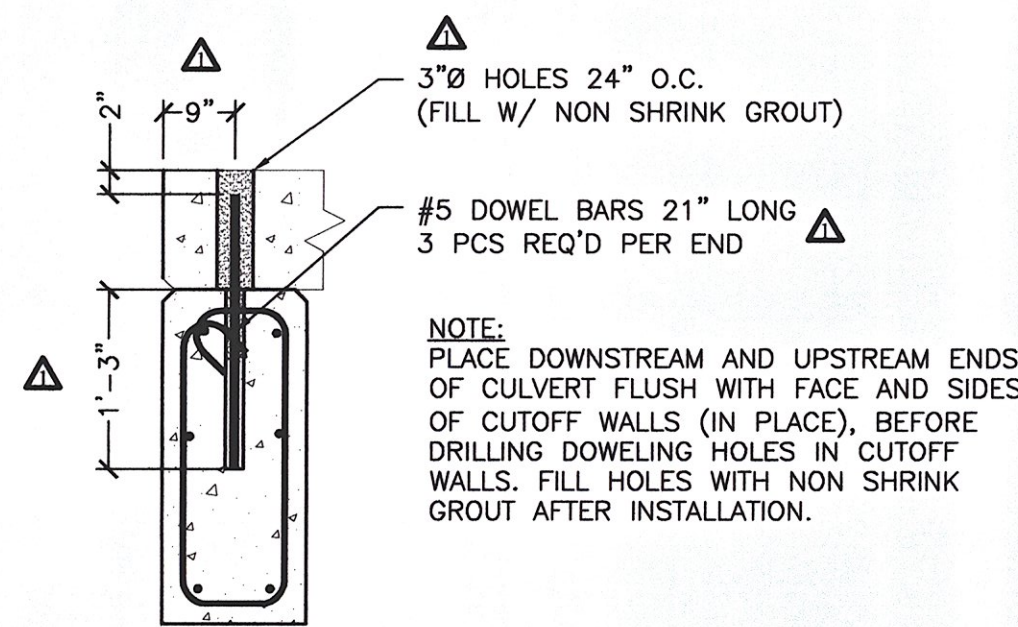
END VIEW



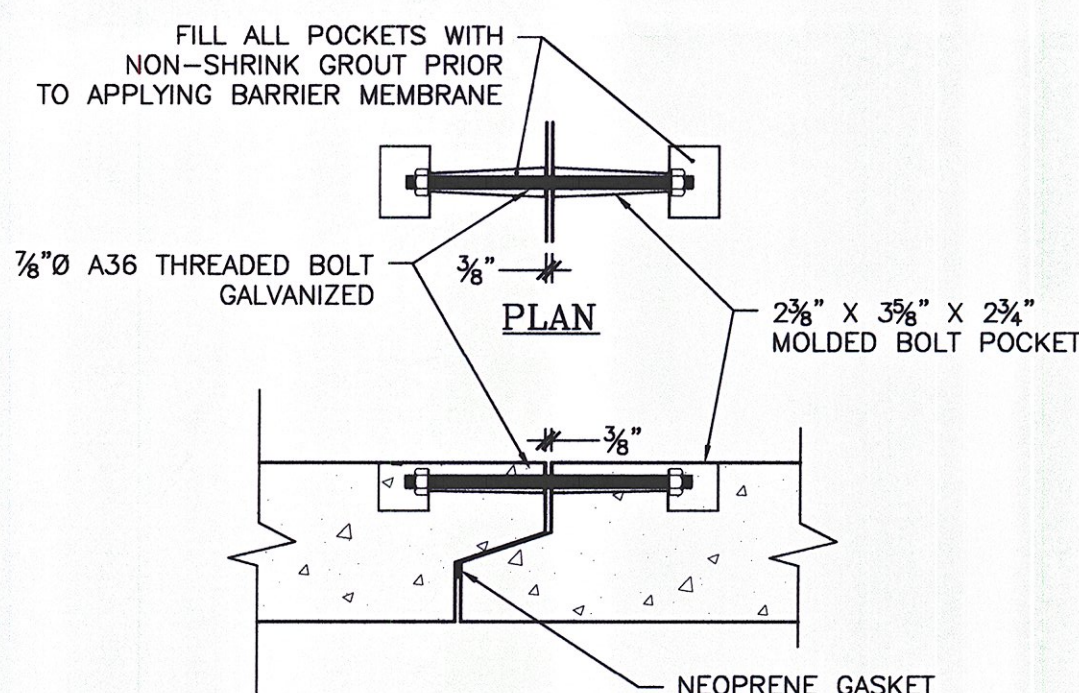
2 BAFFLE REINFORCING
S3.0 1/2" = 1'-0"

NOTE:
BAFFLE TO BE CAST IN AT PRECAST PLANT
PRIOR TO DELIVERY TO PROJECT SITE

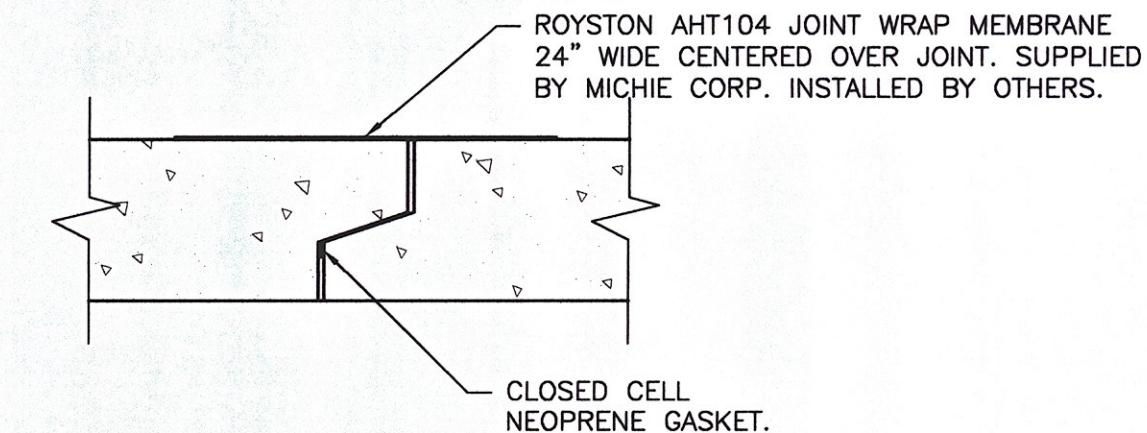
NOTE:
REINFORCING COUNTS ARE
PER SECTION (11) BAFFLES REQ'D



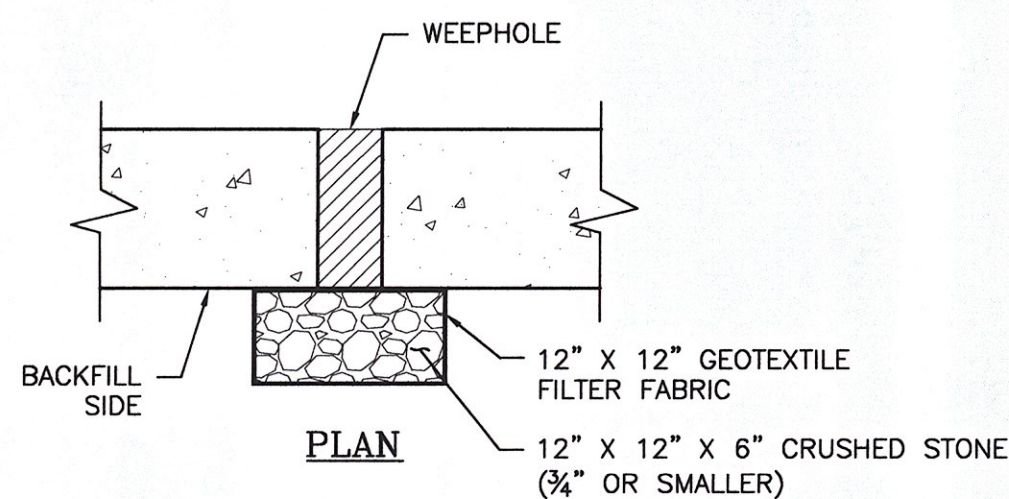
3 CUTOFF WALL CONNECTION
S3.0 3/4" = 1'



4 BOLT POCKET CONNECTION DETAILS
S3.0 1" = 1'-0"



5 BOX CULVERT JOINT DETAIL
S3.0 1" = 1'-0"



6 WEEPHOLE BACKFILL DETAIL
S3.0 1" = 1'-0"

PRECAST CUTOFF WALL NOTES:

- ALL CUTOFF WALL CONCRETE SHALL HAVE A 28-DAY COMPRESSIVE STRENGTH OF 5,000 P.S.I. CEMENT USED SHALL MEET THE REQUIREMENTS OF ASTM C-150.
- UNLESS NOTED OTHERWISE, ALL REINFORCING SHALL MEET THE REQUIREMENTS OF ASTM A-615 GRADE 60 DEFORMED STEEL BARS FOR CONCRETE REINFORCING. ALL BARS SHALL BE BENT COLD.
- ALL EXPOSED EDGES EXCEPT WHERE NOTED SHALL BE CHAMFERED 3/4".
- ALL FOOTINGS SHALL BE PLACED ON 1'-0" OF 3/4" CRUSHED STONE. ALL TOPSOIL, LOOSE FILL, AND DELETERIOUS MATERIALS SHALL BE REMOVED BEFORE PLACING BACKFILL.
- EACH CUTOFF WALL SHALL BE PROVIDED WITH 2 LIFTING ANCHORS IN THE TOP FOR SETTING.
- EACH SECTION SHALL WEIGH AS SHOWN.

APPROVED Approved as Noted
 Revise and Resubmit DISAPPROVED
 CHECKING IS ONLY FOR GENERAL CONFORMANCE WITH THE DESIGN CONCEPT OF THE PROJECT AND GENERAL COMPLIANCE WITH THE INFORMATION GIVEN IN THE CONTRACT DOCUMENTS. ANY ACTION SHOWN IS SUBJECT TO THE REQUIREMENTS OF THE PLANS AND SPECIFICATIONS. CONTRACTOR IS RESPONSIBLE FOR DIMENSIONS WHICH SHALL BE CONFIRMED AND CORRELATED AT THE JOB SITE. FABRICATION PROCESSES AND TECHNIQUES OF CONSTRUCTION, COORDINATION OF HIS WORK WITH THAT OF ALL OTHER TRADES AND THE SATISFACTORY PERFORMANCE OF HIS WORK.
 GREEN INTERNATIONAL AFFILIATES, INC.
 CONSULTING ENGINEERS
 CHECKED BY: *XZ* DATE: 5/11
 SIGNED BY: *Michael J. W...* DATE: 5/11

MICHE
 MICHE CORPORATION, INC.
 173 BUXTON INDUSTRIAL DRIVE-PO BOX 870
 HENNER, NH 03242
 TEL: 603-428-7468
 FAX: 603-428-7468

US Route 2
 Cabot-Danville, VT
 7 x 7' Box Culvert - Cutoff wall
 Scale: AS SHOWN
 Checked by: CTP
 Drawn by: CTP
 Project No. 1490
 Date: 3/22/2011

Prepared for:
 Winterset Construction
 PO Box 968
 Lyndonville, VT 05851

DWG NO.
 S3.0