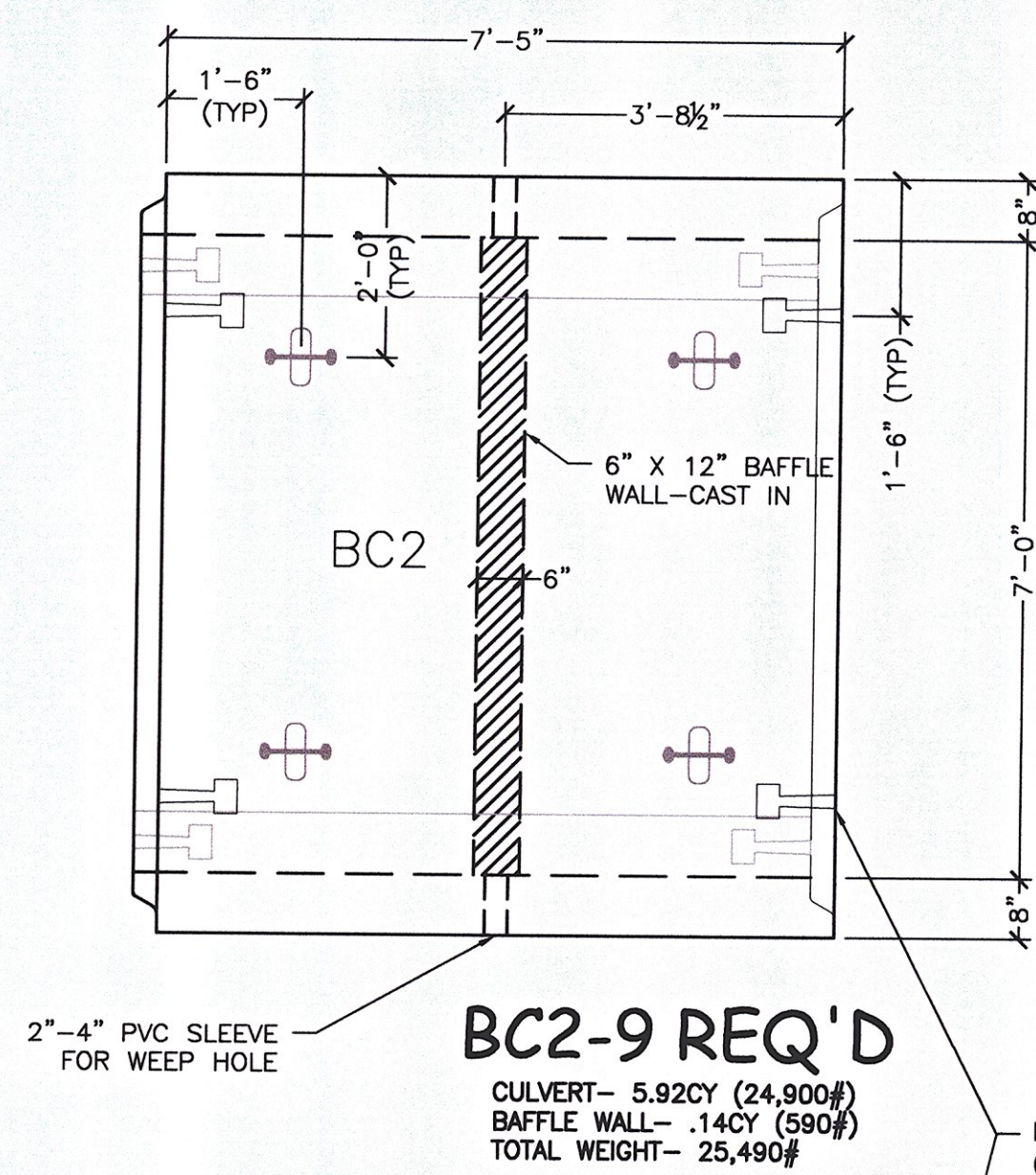
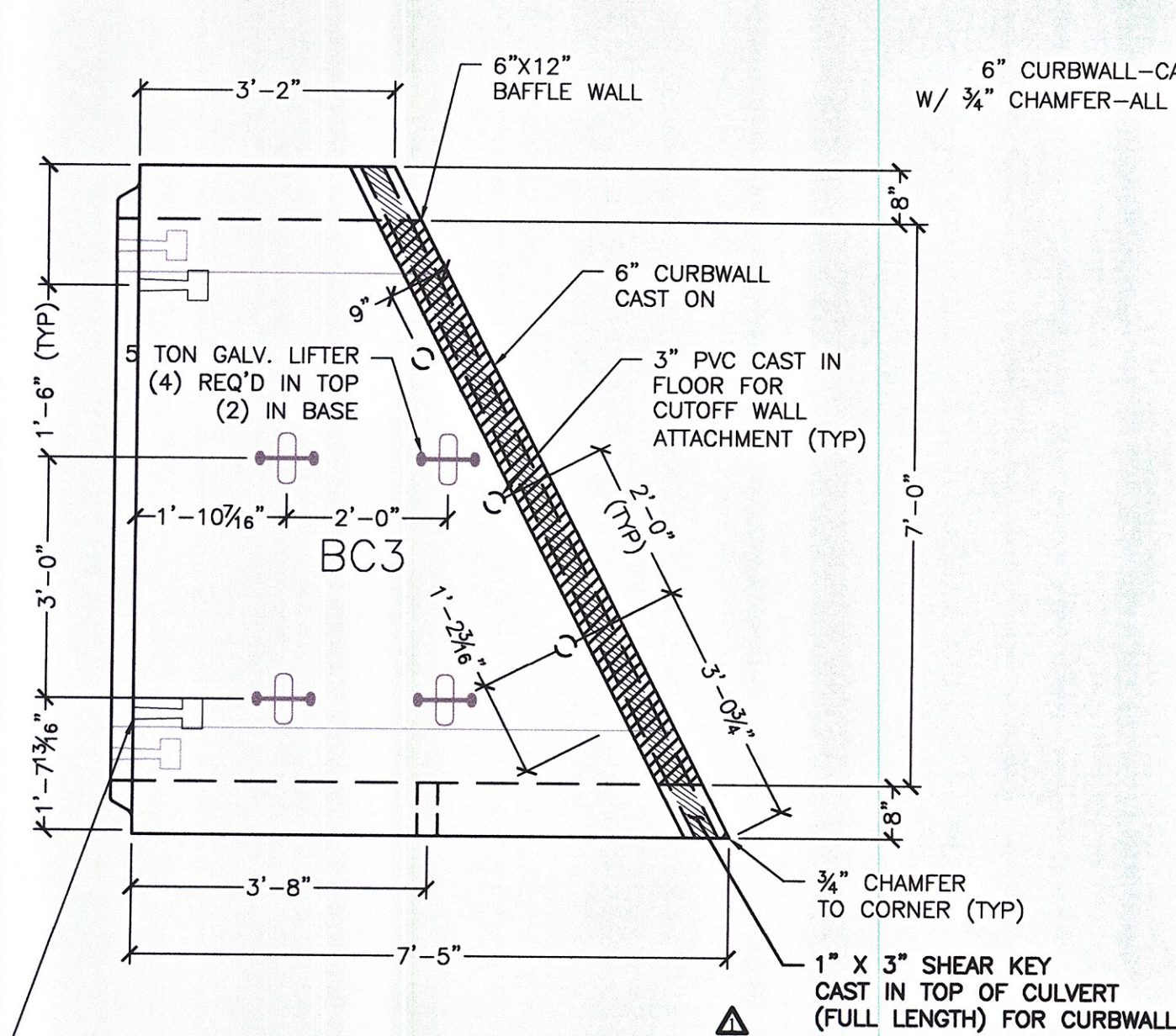


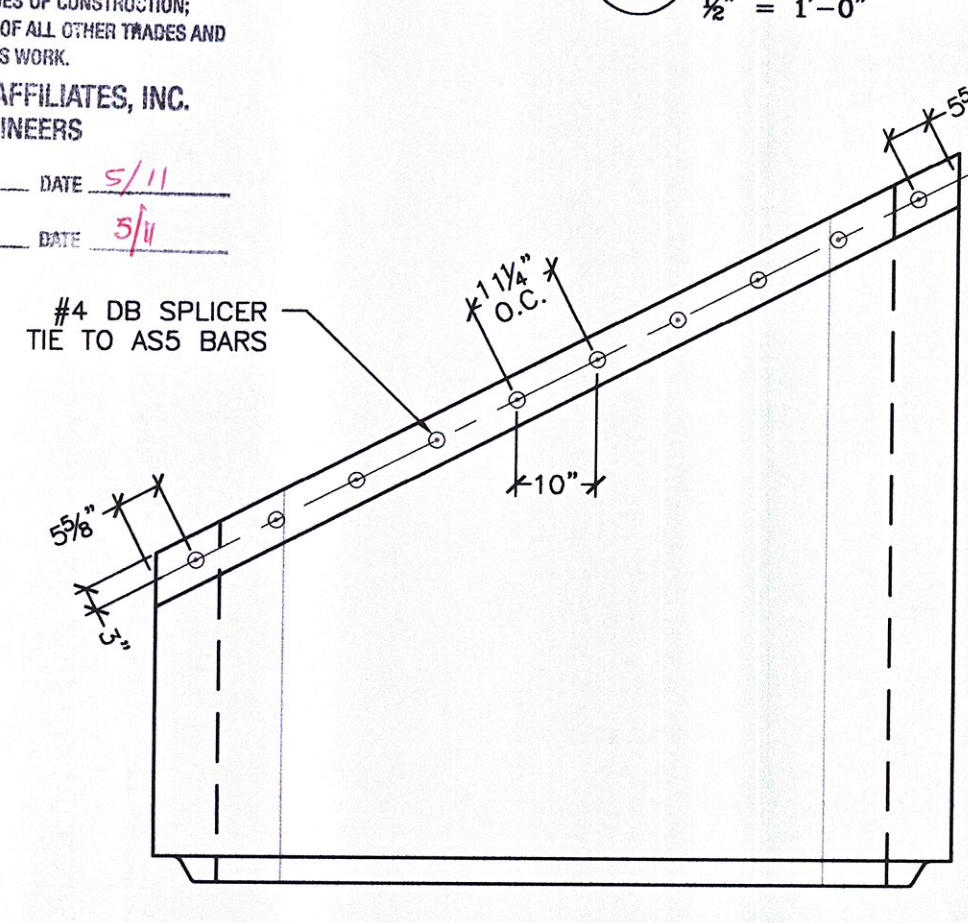
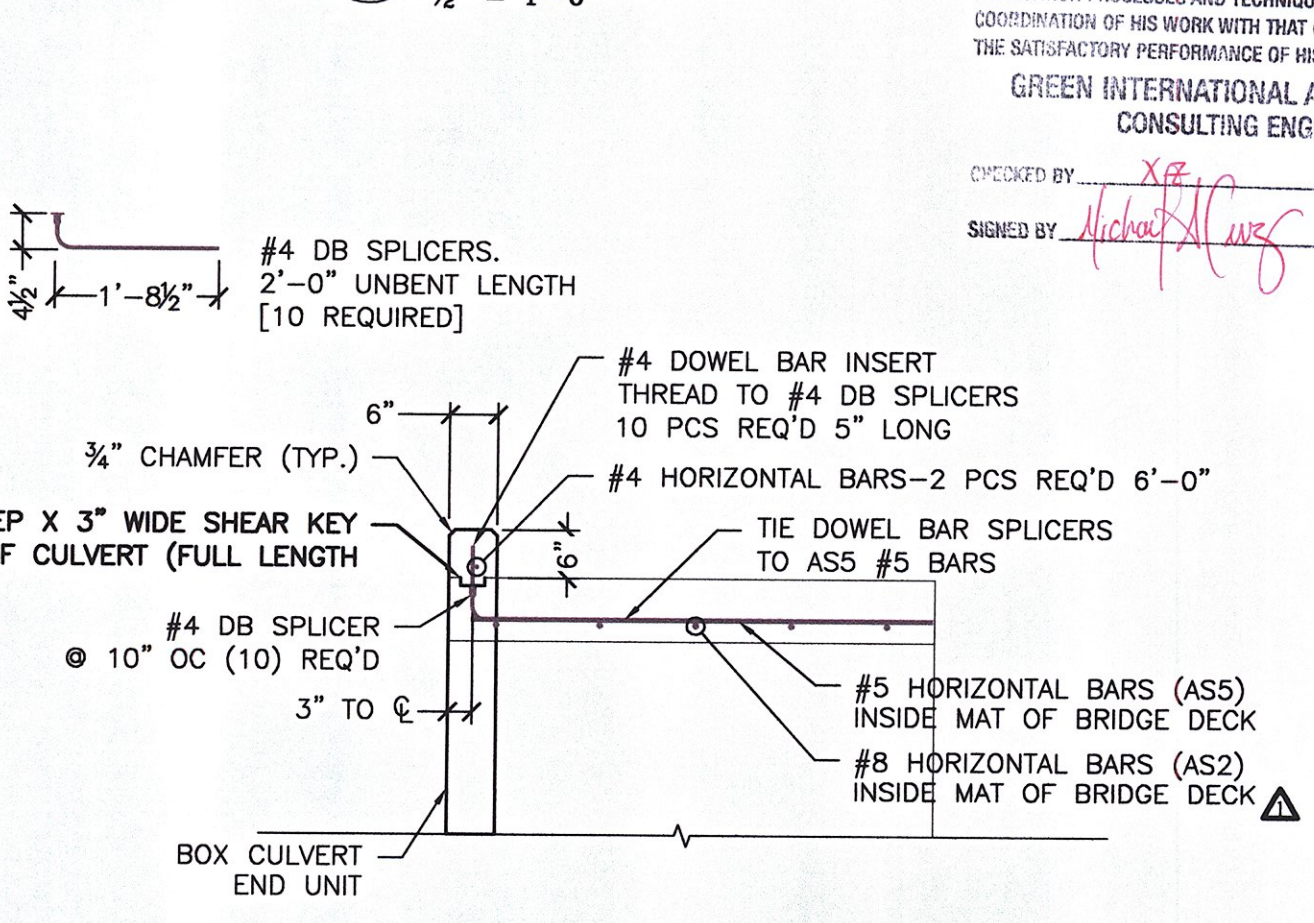
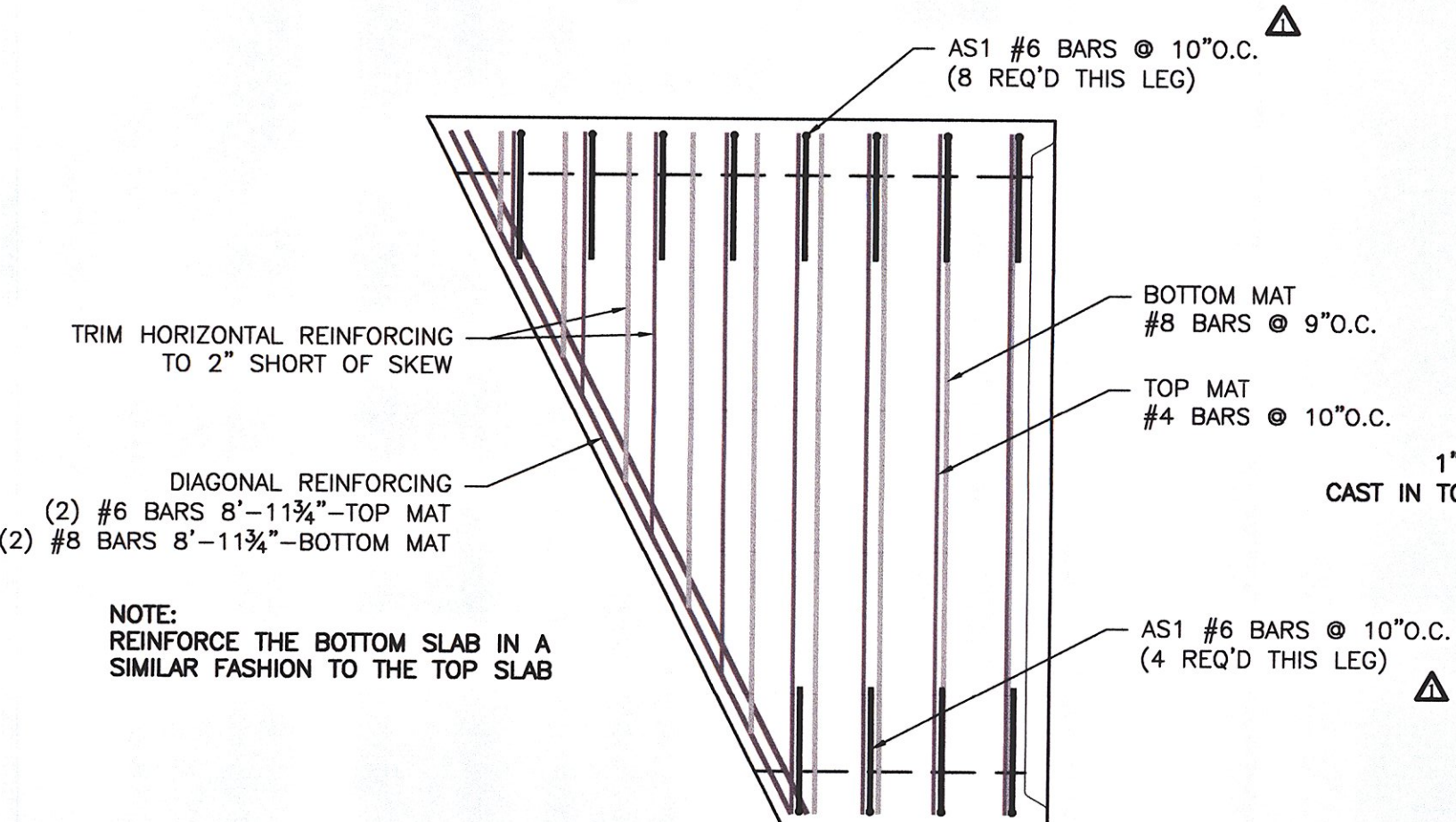
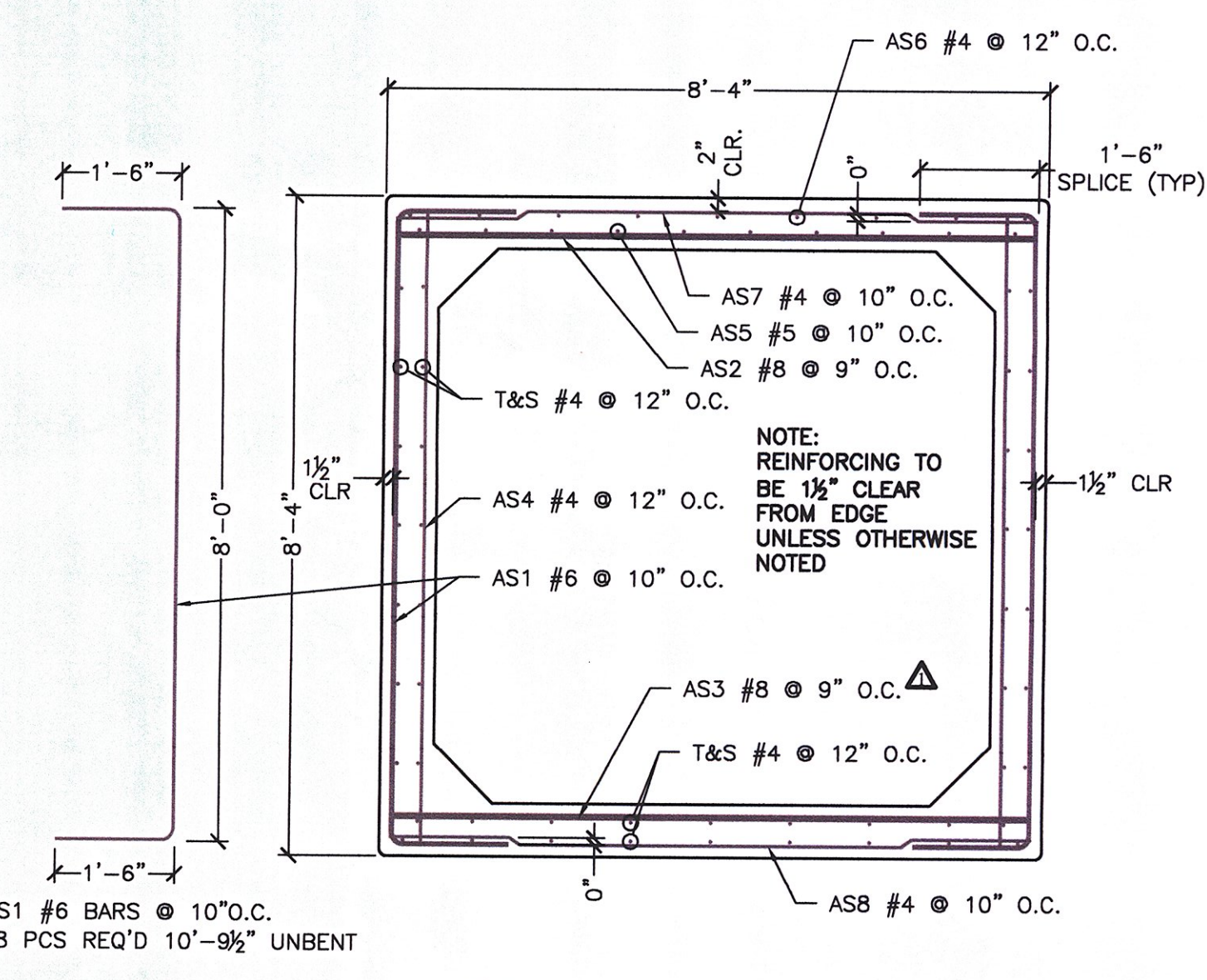
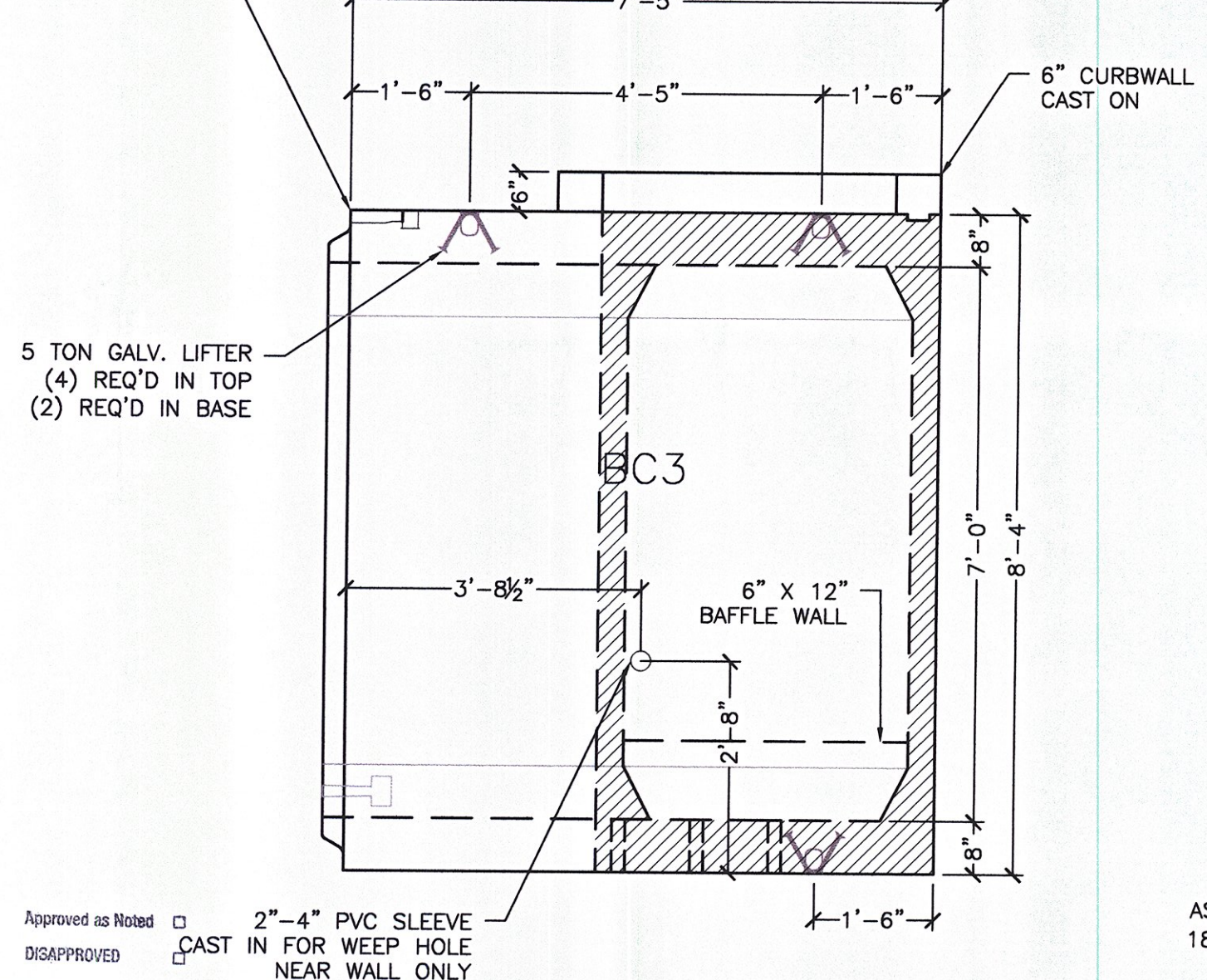
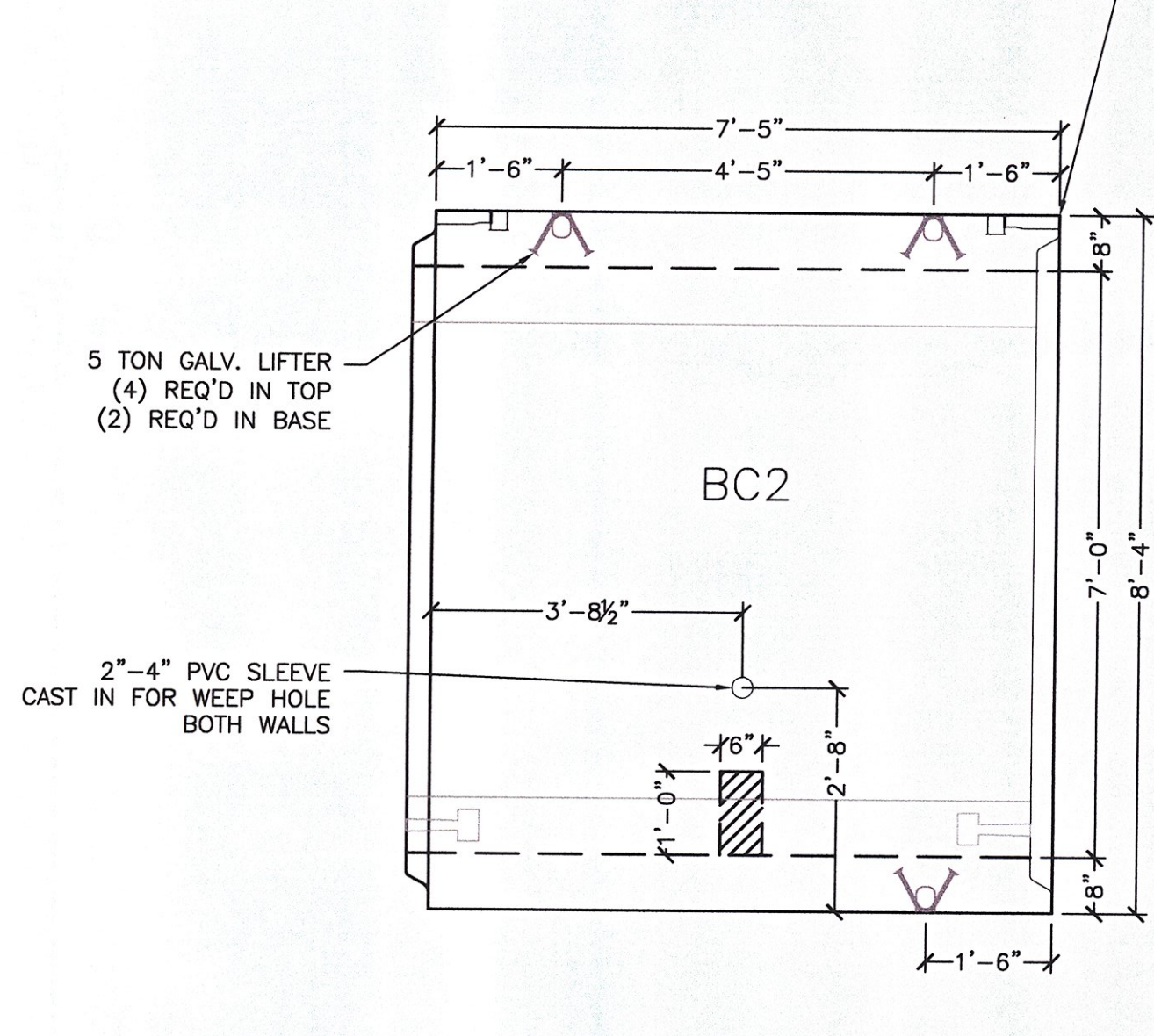
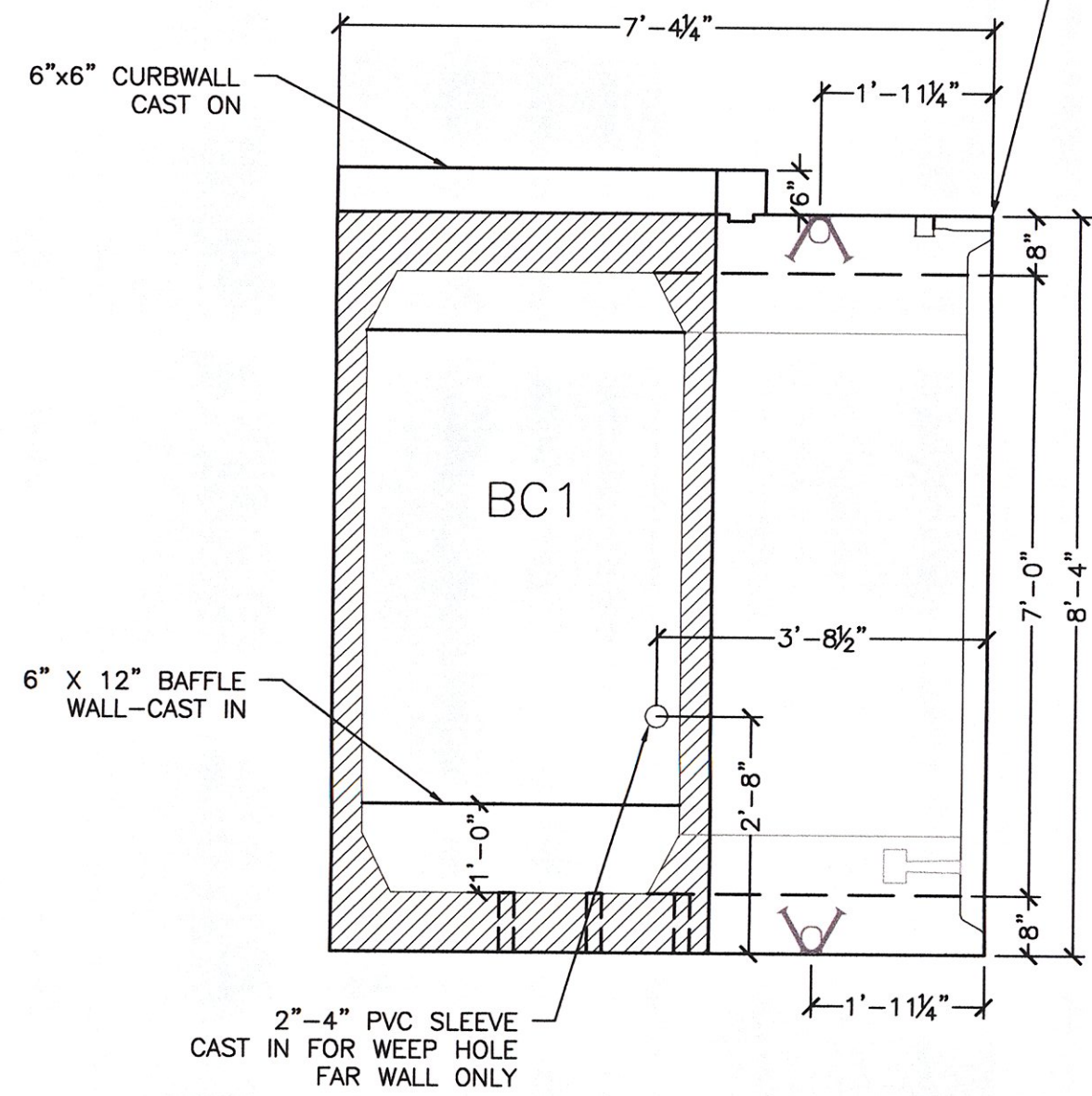
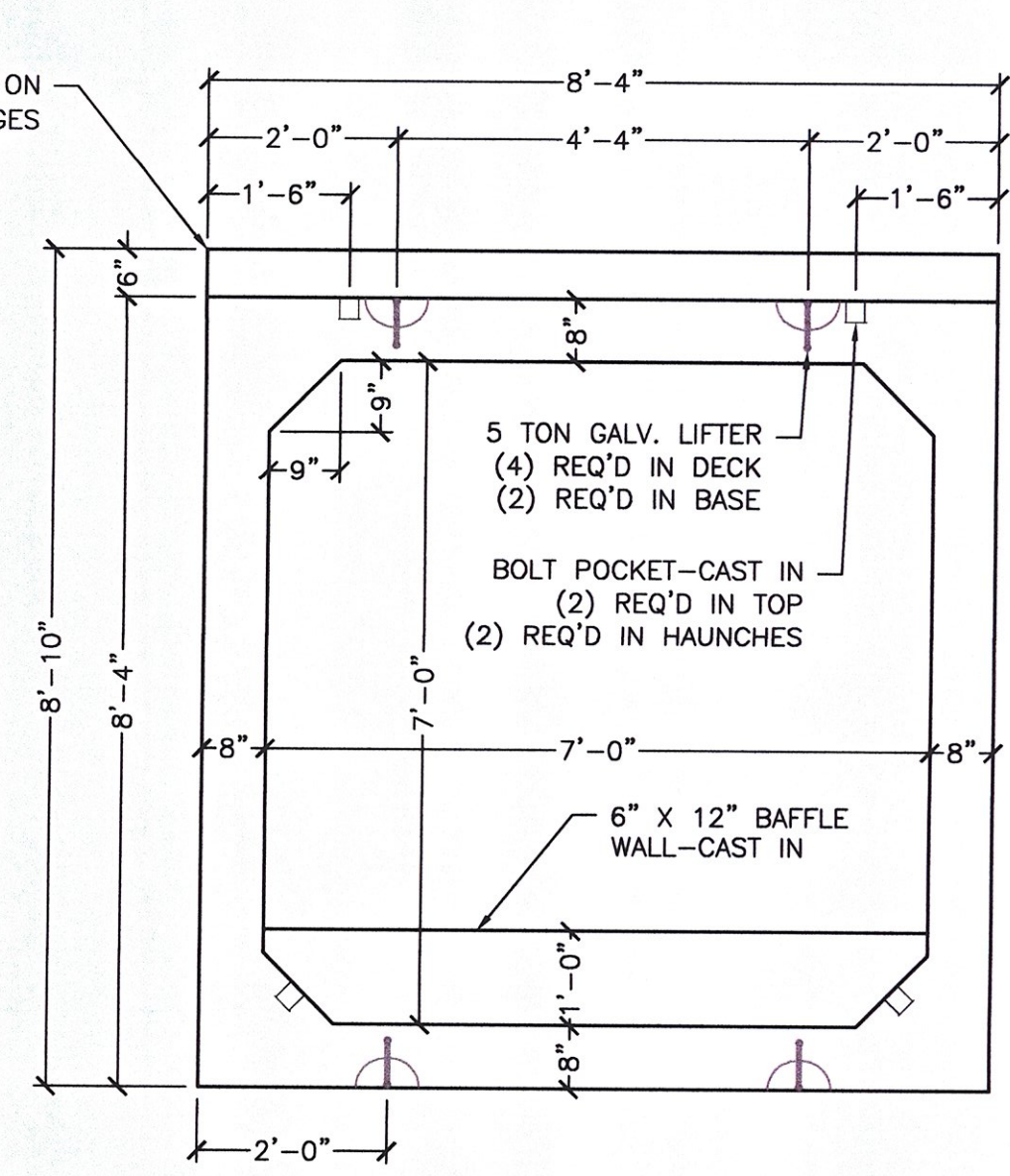
1 BC 1 PLAN VIEW
 S2.0 1/2" = 1'-0"



2 BC 2 PLAN VIEW
 S2.0 1/2" = 1'-0"



3 BC 3 PLAN VIEW
 S2.0 1/2" = 1'-0"



NOTE: REINFORCING COUNTS ARE FOR BC2 SEE 7/S2.0 FOR AS1, AS4 COUNTS AND ADD'L DETAILS

APPROVED DISAPPROVED
 CHECKING IS ONLY FOR GENERAL CONFORMANCE WITH THE DESIGN CONCEPT OF THE PROJECT AND GENERAL COMPLIANCE WITH THE INFORMATION GIVEN IN THE CONTRACT DOCUMENTS. ANY ACTION SHOWN IS SUBJECT TO THE REQUIREMENTS OF THE PLANS AND SPECIFICATIONS. CONTRACTOR IS RESPONSIBLE FOR DIMENSIONS WHICH SHALL BE CONFIRMED AND CORRELATED AT THE JOB SITE. FABRICATION PROCESSES AND TECHNIQUES OF CONSTRUCTION; OBSERVATION OF HIS WORK WITH THAT OF ALL OTHER TRADES AND THE SATISFACTORY PERFORMANCE OF HIS WORK.

GREEN INTERNATIONAL AFFILIATES, INC.
 CONSULTING ENGINEERS

CHECKED BY: *[Signature]* DATE: 5/11
 SIGNED BY: *[Signature]* DATE: 5/11

MICHE
 MICHE CORPORATION, INC.
 173 BUXTON INDUSTRIAL DRIVE-PO BOX 870
 FRENCHMOUNT, NH 03242
 TEL: 603-428-7426
 FAX: 603-428-7426

US Route 2
 Cabot-Danville, VT
 7 x 7' Box Culvert - Culvert Sections

Prepared for:
 Winterset Construction
 PO Box 968
 Lyndonville, VT 05851

DWG NO. S2.0

No.	Date	Revision
4/26/2011		REVISED PER COMMENTS

Project No. 1490
 Date: 1/22/2011
 Drawn by: CFP
 Checked by: XXX
 Scale: AS SHOWN

By: CFP