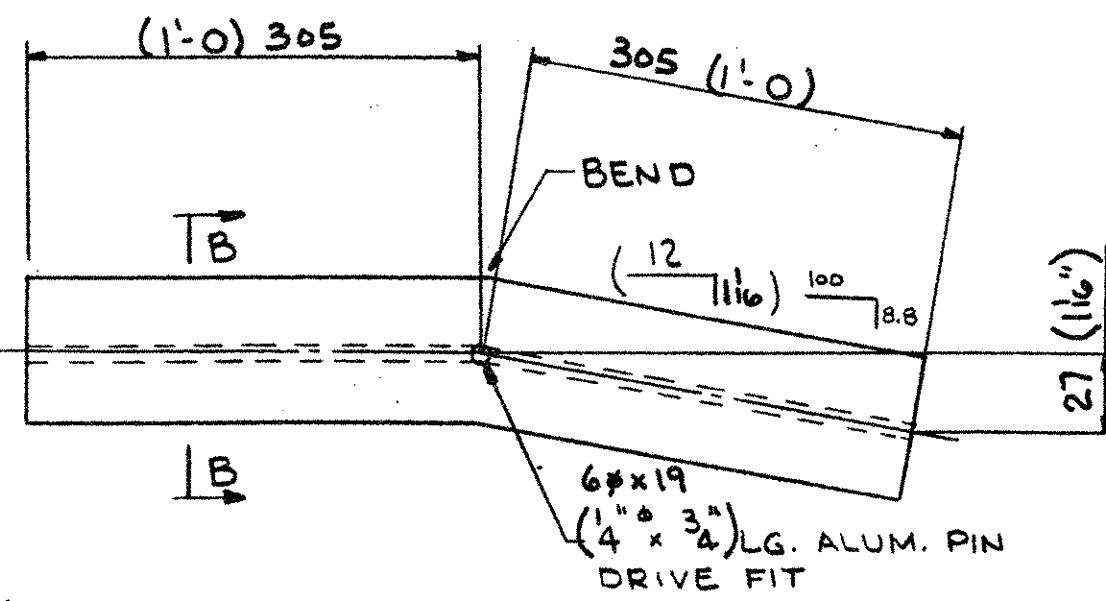
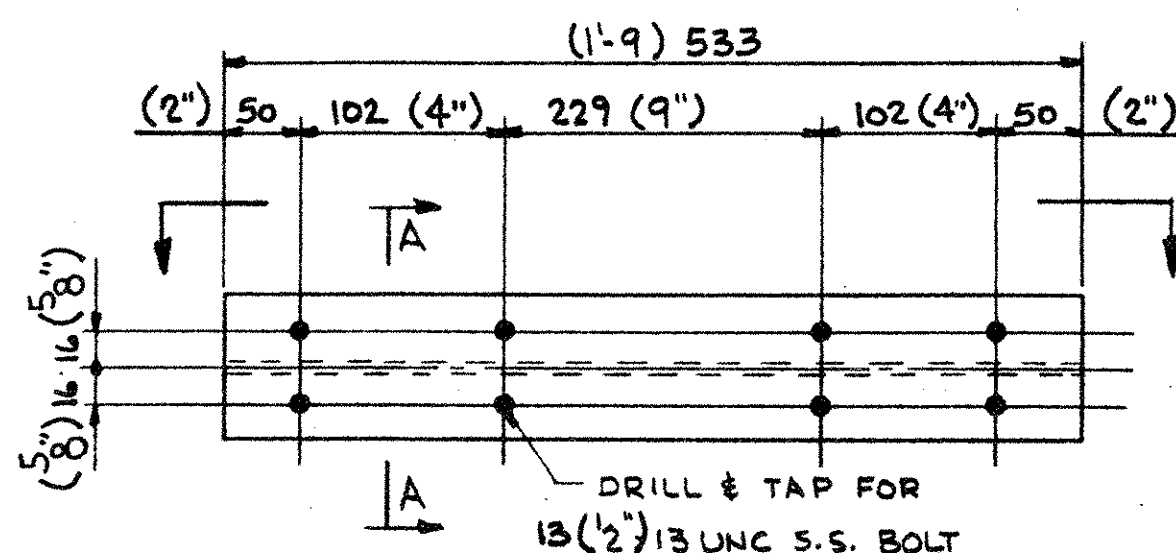


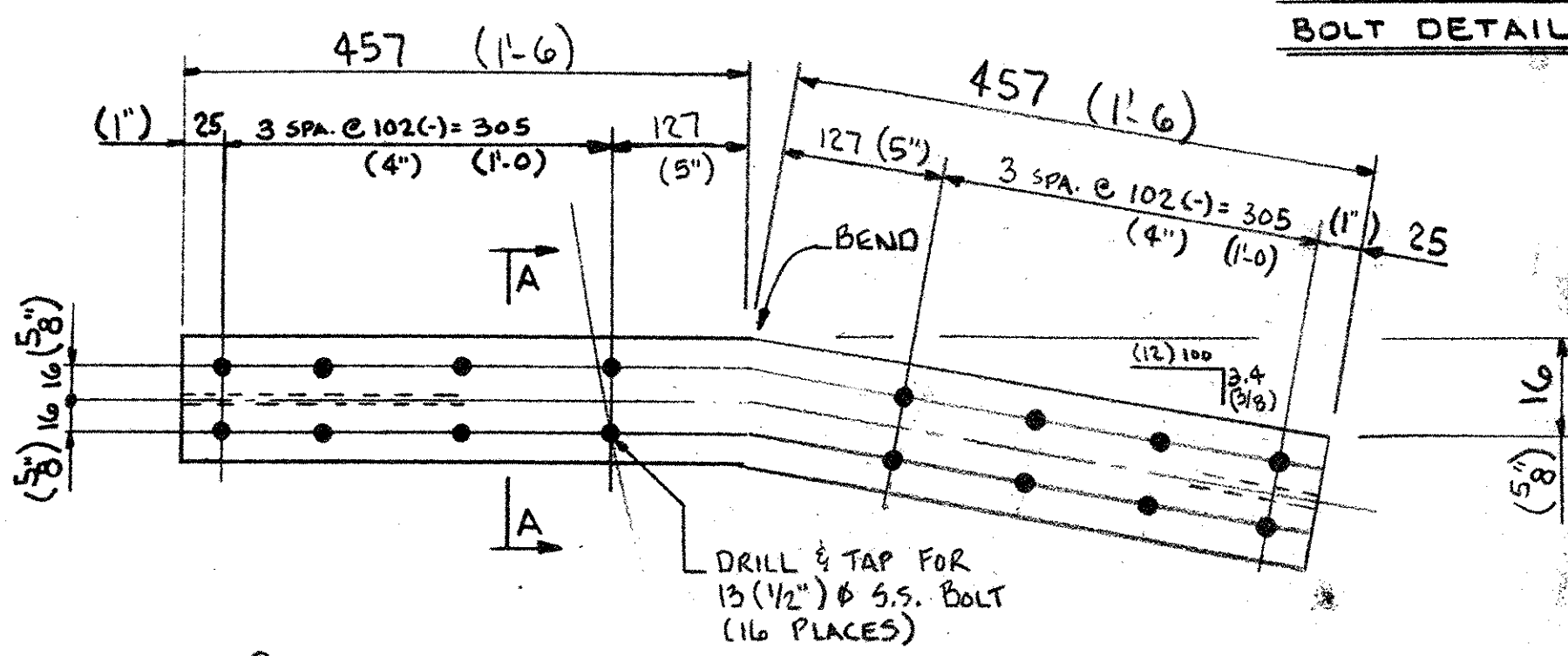
32 REQ'D CLAMP BARS ~ CB-01-H (HANDRAIL)
 372 REQ'D CLAMP BARS ~ CB-03-A (BARRIER RAIL)



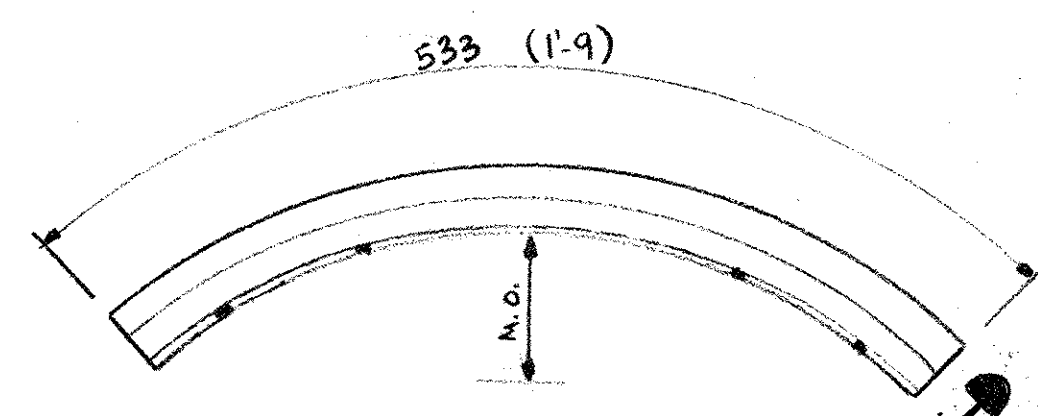
4 REQ'D SPLICE SLEEVES ~ SS-12-A1



18 REQ'D SPLICE SLEEVES ~ SS-03-H

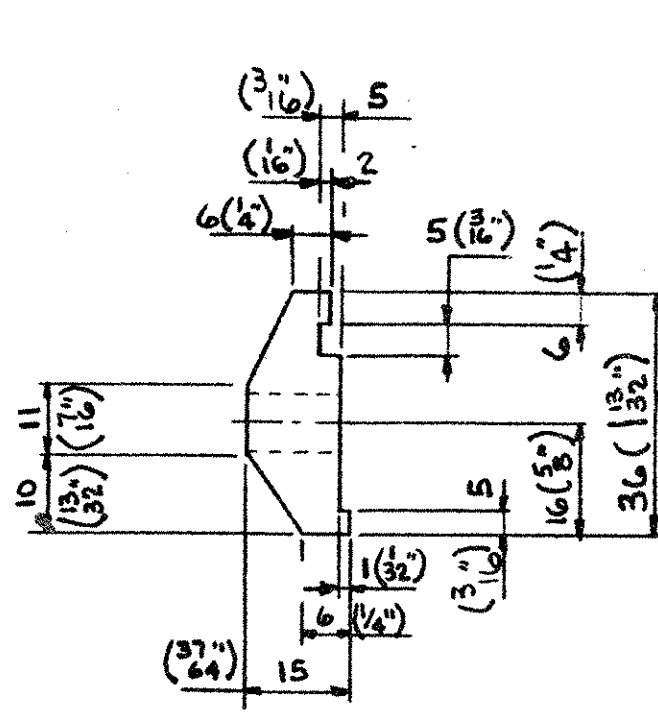


8 REQ'D SPLICE SLEEVES ~ SS-03-G1



-H1 M.O. = 8 (5/16)
 -H3 M.O. = 7 (1/4)
 -H4 M.O. = 14 (9/16) Δ

2 REQ'D SPLICE SLEEVES ~ SS-03-H1 (SE)
 2 REQ'D SPLICE SLEEVES ~ SS-03-H3 (NE)
 2 REQ'D SPLICE SLEEVES ~ SS-03-H4 (NW)



SECTION C-C (HANDRAIL) CB-01-H

