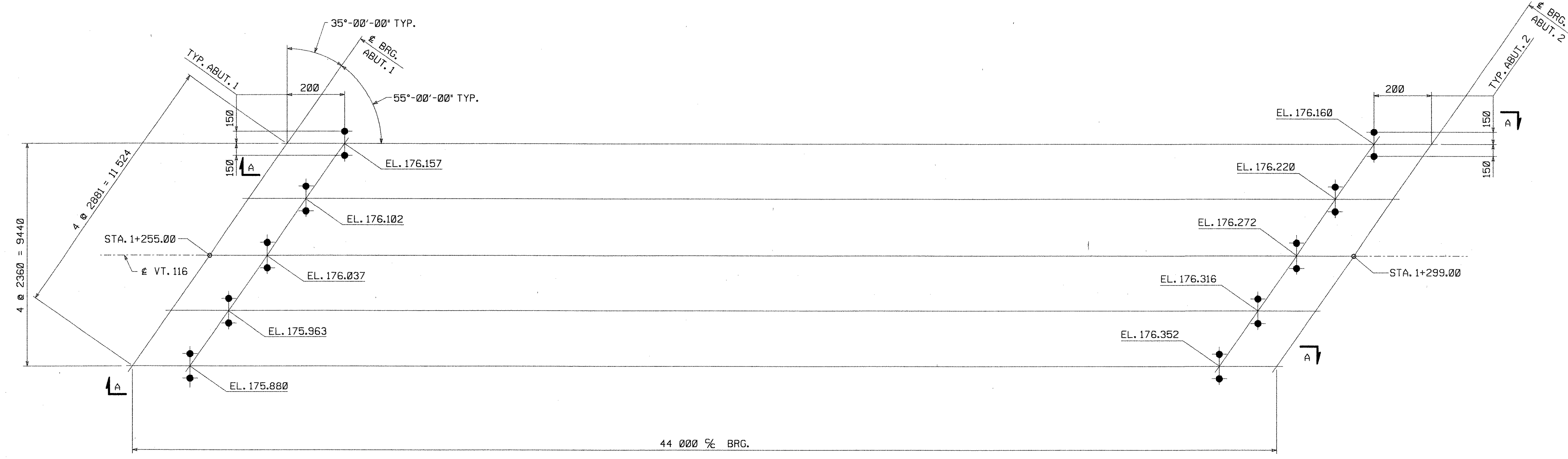


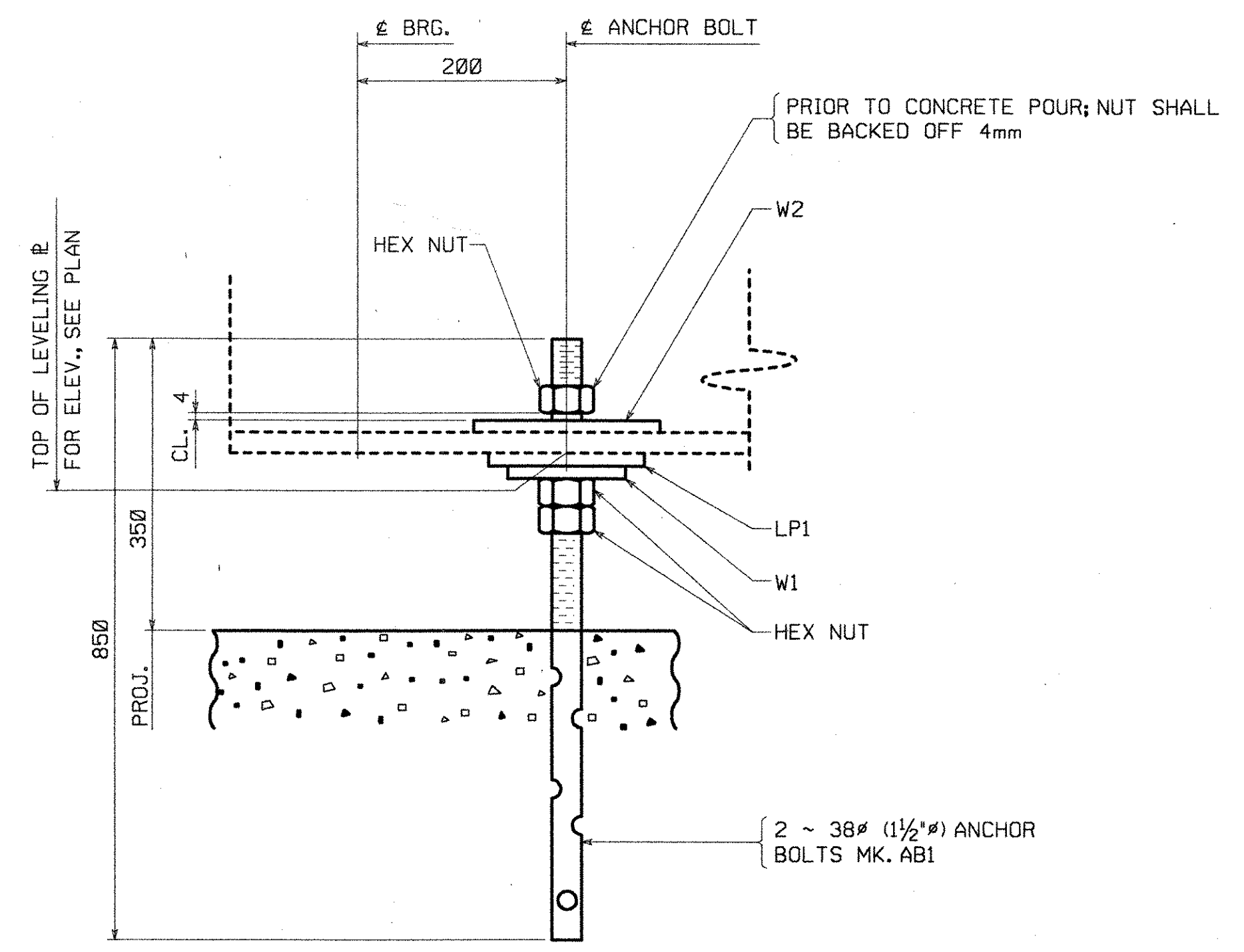
METRIC

1. ALL DIMENSIONS ARE IN MILLIMETERS UNLESS OTHERWISE NOTED.  
2. ALL WEIGHTS ARE IN KILOGRAMS.

FED. ROAD DIV. NO.	STATE	FED. AID PROJ. NO.
	VT	



ANCHOR BOLT PLAN



SECTION A

**NOTES:**  
ALL DIMENSIONS ARE GIVEN HORIZONTALLY.  
ALL STATIONS & ELEVATIONS ARE GIVEN IN METERS.  
ELEVATIONS ARE GIVEN TO TOP OF LEVELING R.  
ANCHOR BOLT SETTINGS MUST BE EXACT IN EVERY DETAIL IN ACCORDANCE WITH THIS DRAWING.  
ANCHOR BOLTS ARE FURNISHED BY HIGH STEEL STRUCTURES, INC. AND SET BY OTHERS.  
WORK THIS DWG. WITH DWG. E2

RECEIVED  
NOV 16 1999  
APPROVED X  
DATE 12/6/99

NO.	REVISION	BY	DATE
ANCHOR BOLT PLAN VT. 116 OVER NEW HAVEN RIVER VT. 116 STA. 1+255.00 TO STA. 1+299.00 TOWN OF BRISTOL, BRIDGE NO. 10 STATE OF VERMONT AGENCY OF TRANSPORTATION			
STATE CONTRACT OR REF. NO. PROJECT NO. ER 021-1(13)		082	
CONTRACTOR: BECK & BELLUCCI, INC.			
IN CHARGE: ALLEN (IH)	MADE BY: A66	CHK'D BY: PFH	DATE: 11-8-99
CONTRACT NUMBER: VT-99109-1		DRAWING NUMBER: E1 OF E2	

PLOTTED: 18 NOV 1999 14:28:37  
 BY: ashue