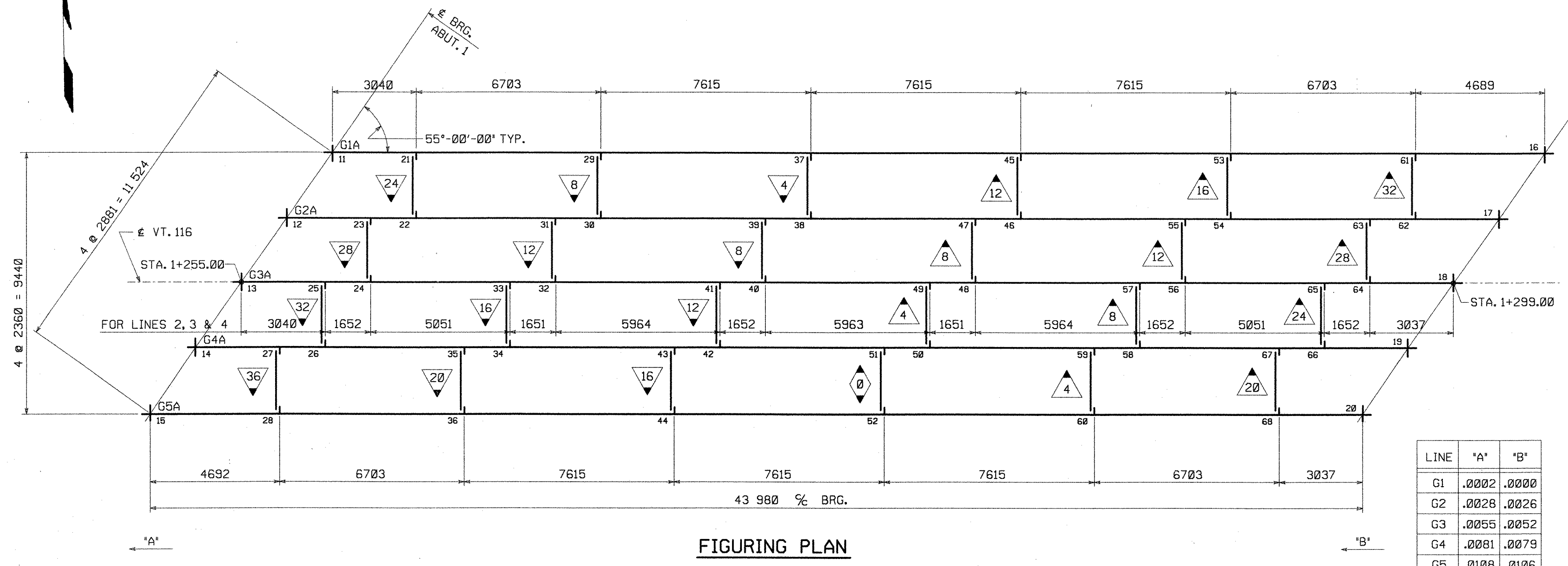


METRIC

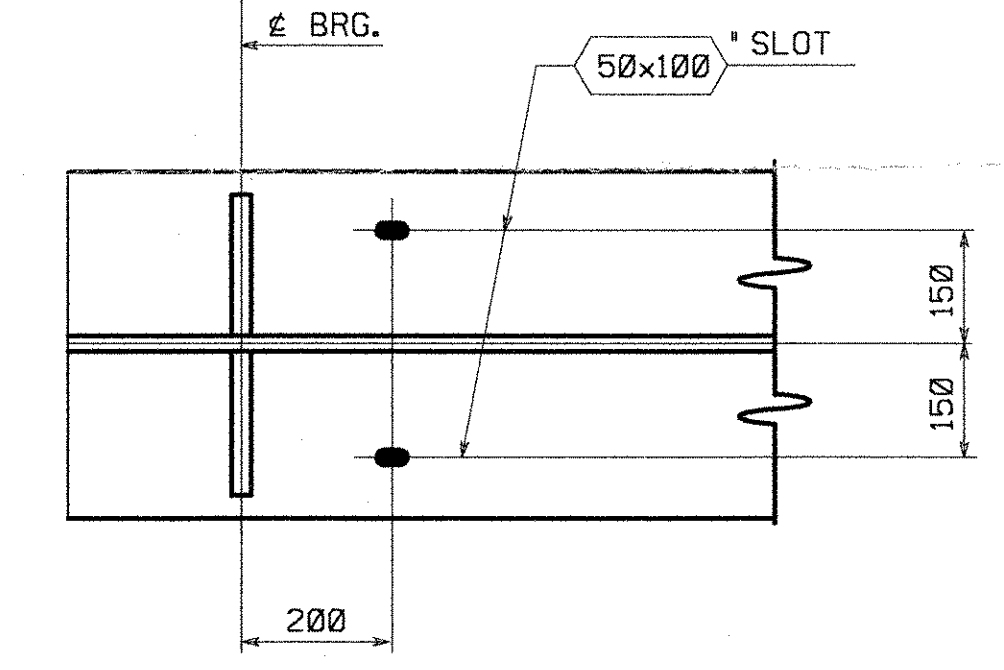
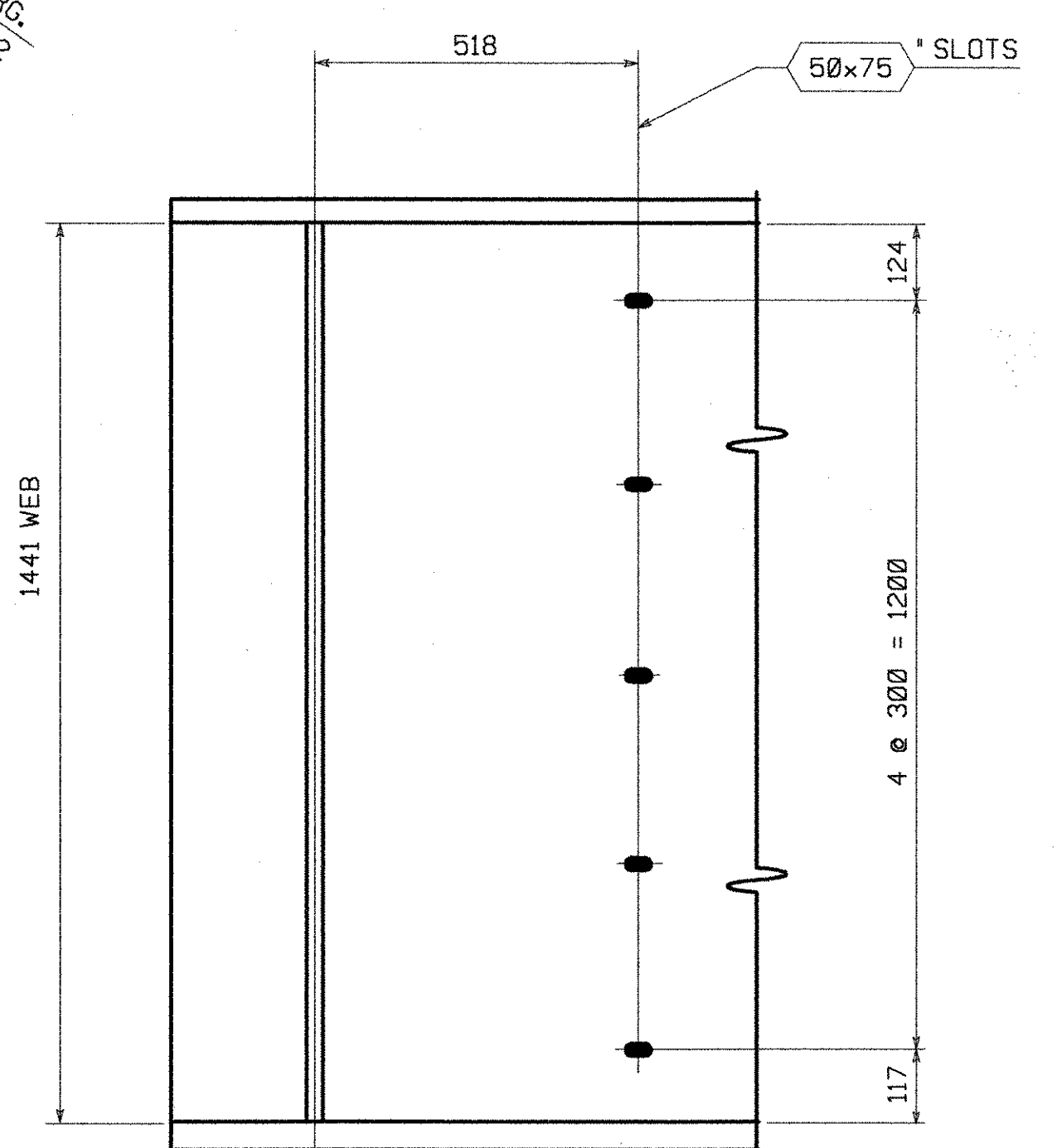
1. ALL DIMENSIONS ARE IN MILLIMETERS UNLESS OTHERWISE NOTED.  
2. ALL WEIGHTS ARE IN KILOGRAMS.

FED. ROAD DIV. NO.	STATE	FED. AID PROJ. NO.
	VT	

SPAN - 1

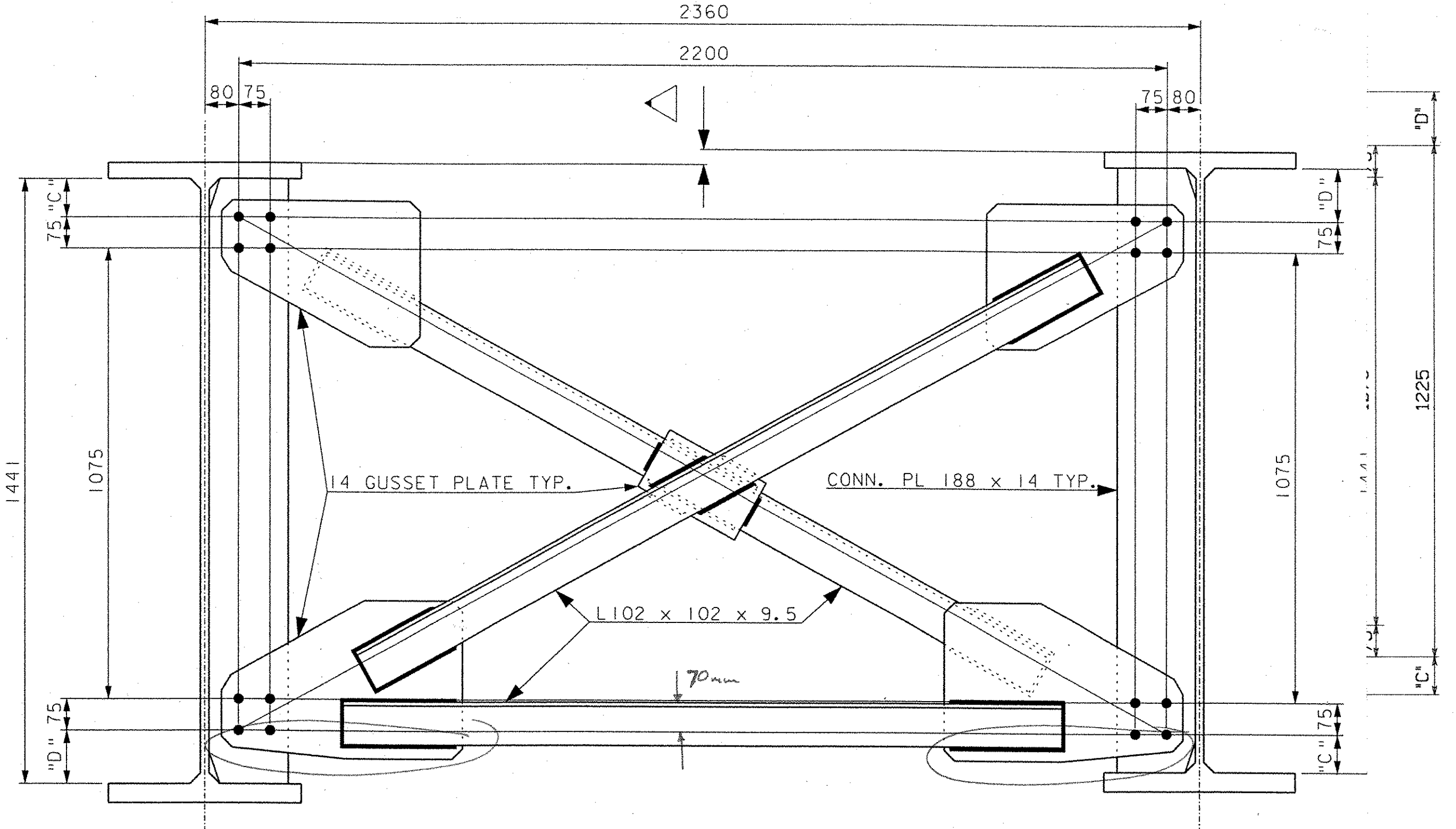


LINE	'A'	'B'
G1	.0002	.0000
G2	.0028	.0026
G3	.0055	.0052
G4	.0081	.0079
G5	.0108	.0106



GIRDER LAYOUT AT ABUT. 1  
(SIMILAR AT ABUT. 2)

RECEIVED  
NOV 16 1999  
RESUBMIT APPROVED AS NOTED  
DATE 12/16/99



DROP	'C'	'D'
32	92	124
28	94	122
24	96	120
20	98	118
16	100	116
12	102	114
8	104	112
4	106	110
0	108	108
-4	110	106
-8	112	104
-12	114	102
-16	116	100
-20	118	98
-24	120	96
-28	122	94
-32	124	92
-36	126	90

NOTES:  
DIMENSIONS ON PLAN ALONG GIRDERS ARE GIVEN TO THE CHORD AT THE BOTTOM OF WEB IN FULLY CAMBERED POSITION. ALL OTHER DIMENSIONS ARE GIVEN HORIZONTALLY.  
FIGURES GIVEN THUS:  $\nabla$  ARE THE GRADES OF THE GIRDERS AT THE BEARINGS IN FINAL POSITION; ARROW POINTS DOWNGRADE.  
ALL STIFFENER AND CONNECTION PLATE SPACINGS ARE GIVEN TO  $\frac{1}{2}$  PLATE.  
ENDS OF GIRDERS AND ALL BEARING STIFFENERS TO BE VERTICAL IN FINAL POSITION.  
ALL STEEL TO BE AASHTO M270 GR. 345W (U.N.).  
ALL FIELD CONNECTIONS TO BE MADE WITH  $\frac{7}{8}$ " H.S. (A325 TYPE 3) BOLTS (U.N.).  
FIGURES GIVEN THUS:  $\Delta$  ARE THE DIFFERENCES IN ELEVATIONS OF GIRDERS (IN THE PLANE OF THE CROSSFRAME) AT CROSSFRAMES; ARROW POINTS TOWARD LOW GIRDER.  
ALL HOLES TO BE  $\frac{5}{16}$ " (U.N.)

NO.	REVISION	BY	DATE

HIGH STEEL STRUCTURES, INC.

1770 Hempstead Road  
Lenoxville, VT 05453-0008  
Phone 717/299-5281  
A Division of High Industries, Inc.

WORKSHEET - FIGURING PLAN AND LAYOUTS  
VT. 116 OVER NEW HAVEN RIVER  
VT. 116 STA. 1+255.00 TO STA. 1+299.00  
TOWN OF BRISTOL, BRIDGE NO. 10  
STATE OF VERMONT  
AGENCY OF TRANSPORTATION

STATE CONTRACT OR REF. NO. PROJECT NO. ER 021-1(13) 077

CONTRACTOR BECK & BELLUCCI, INC. MADE BY: Kma CHK'D: SLK DATE: 10/07/99

IN CHARGE: ALLEN (IH) BY: Kma DATE: 10/07/99

CONTRACT NUMBER: VT-99109-1 DRAWING NUMBER: WS1 OF WS1

METRIC SCALE = 0.0100000 OF FULL SIZE

PLOTTED: 10 NOV 1999 14:28:24 BY: ashua