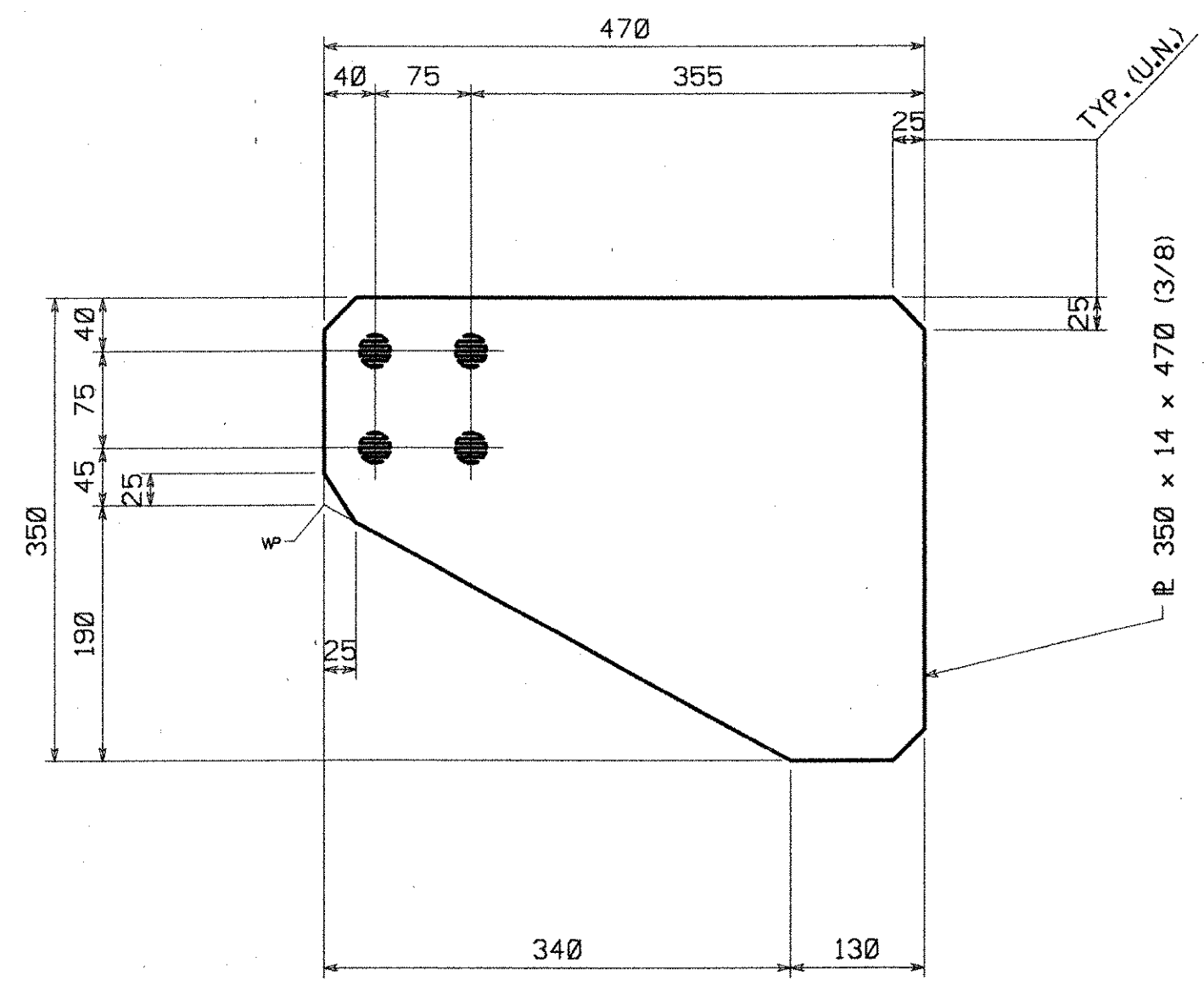


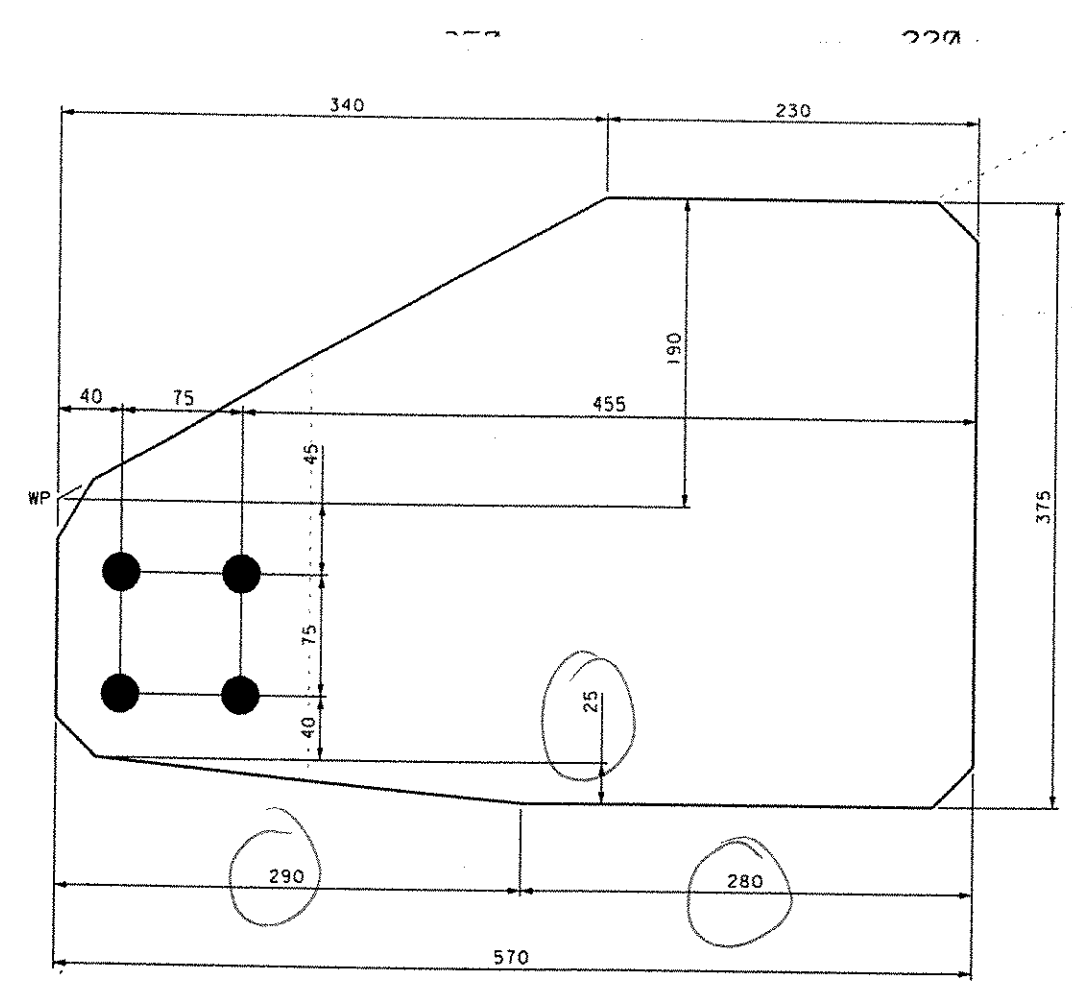
METRIC

1. ALL DIMENSIONS ARE IN MILLIMETERS UNLESS OTHERWISE NOTED.
2. ALL WEIGHTS ARE IN KILOGRAMS.

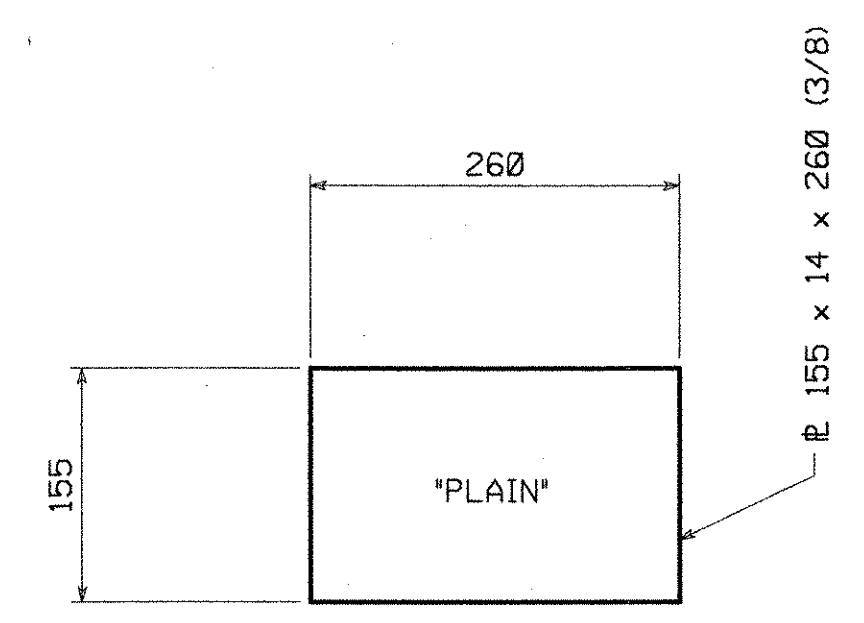
FED. ROAD DIV. NO.	STATE	FED. AID PROJ. NO.
	VT	



48 ~ GUSSET PL's MK. ~ m1a



48 ~ GUSSET PL's MK. ~ m1b



24 ~ GUSSET PL's MK. ~ m1c

RECEIVED
NOV 16 1999
RESUBMIT APPROVED AS NOTED
DATE 12/6/99

SHOP NOTE

HOLES: 24#
BOLTS: NONE
PAINT: NONE
FOR GENERAL SHOP NOTES, SEE DWG. GNI.

NO.	REVISION	BY	DATE
<p>1770 Hempstead Road Lancaster, PA 17605-0008 Phone 717/299-5281 HIGH STEEL STRUCTURES, INC. A Division of High Industries, Inc.</p>			
CROSSFRAME JOB STANDARDS			
VT. 116 OVER NEW HAVEN RIVER			
VT. 116 STA. 1+255.00 TO STA. 1+299.00			
TOWN OF BRISTOL, BRIDGE NO. 10			
STATE OF VERMONT			
AGENCY OF TRANSPORTATION			
STATE CONTRACT OR REF. NO.	PROJECT NO. ER 021-1(13)	076	
CONTRACTOR BECK & BELLUCCI, INC.			
IN CHARGE: ALLEN (IH)	MADE BY: A66	CHK'D BY: PFH	DATE: 11-8-99
CONTRACT NUMBER: VT-99109-1	DRAWING NUMBER: M1 OF M1		

CODE: 63