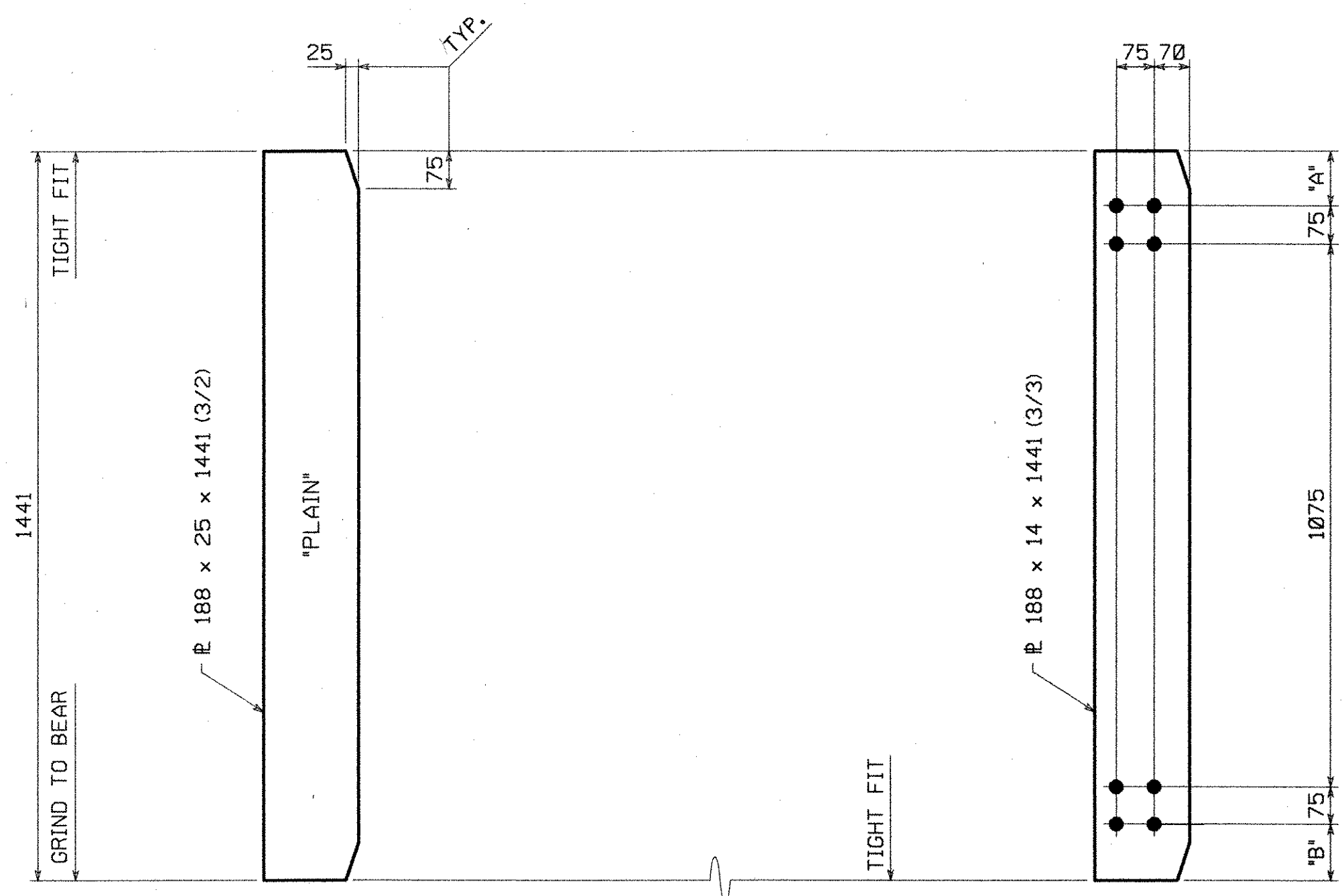
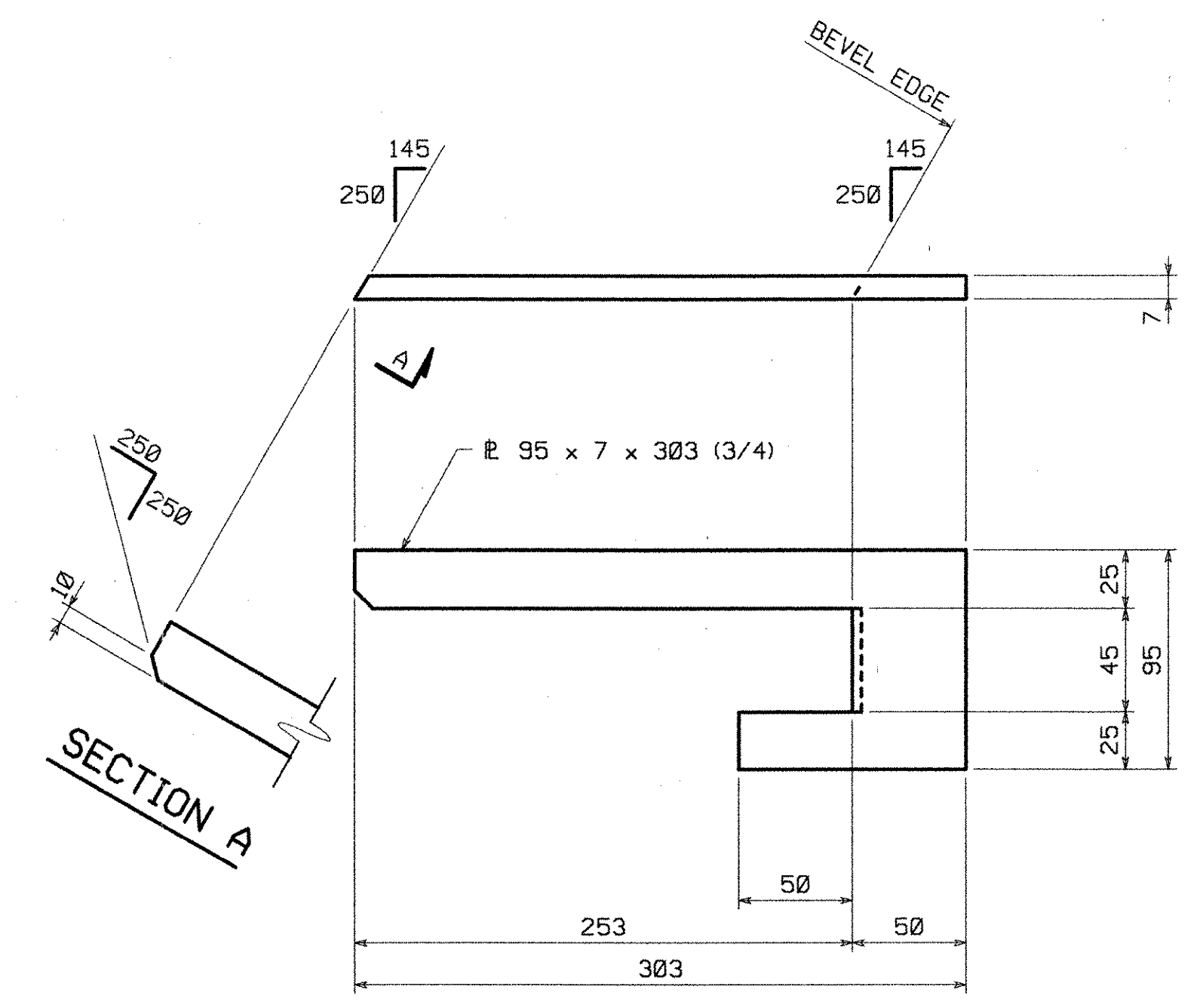


METRIC 1. ALL DIMENSIONS ARE IN MILLIMETERS UNLESS OTHERWISE NOTED.
 2. ALL WEIGHTS ARE IN KILOGRAMS.

FED. ROAD DIV. NO.	STATE	FED. AID PROJ. NO.
	VT	



2Ø ~ BRG. STIFF. MK. ~ x1a



2 ~ DRIP BARS MK. ~ x1ag^R

CONN. P's

MARK	REQ'D	'A'	'B'
x1b	1	126	90
x1c	2	124	92
x1d	2	122	94
x1f	2	120	96
x1g	2	118	98
x1h	3	116	100
x1k	4	114	102
x1m	4	112	104
x1n	3	110	106
x1p	2	108	108
x1s	3	106	110
x1t	4	104	112
x1w	4	102	114
x1y	3	100	116
x1aa	2	98	118
x1ab	2	96	120
x1ac	2	94	122
x1ad	2	92	124
x1af	1	90	126

RECEIVED
 CK'D BY: *gsc* OK'D BY: *AP*
 NOV 16 1999
 RESUBMIT: _____ APPROVED: *X*
 DATE: 12/16/99

NO.	REVISION	BY	DATE
GIRDER JOB STANDARDS			
VT. 116 OVER NEW HAVEN RIVER			
VT. 116 STA. 1+255.00 TO STA. 1+299.00			
TOWN OF BRISTOL, BRIDGE NO. 10			
STATE OF VERMONT			
AGENCY OF TRANSPORTATION			
STATE CONTRACT OR REF. NO. PROJECT NO. ER 021-1(13) 075			
CONTRACTOR BECK & BELLUCCI, INC.			
IN CHARGE: ALLEN (IH)	MADE BY: A66	CHK'D BY: PFH	DATE: 11-8-99
CONTRACT NUMBER: VT-99109-1		DRAWING NUMBER: X1 OF X1	

SHOP NOTE
HOLES: 24#
BOLTS: NONE
PAINT: NONE
 FOR GENERAL SHOP NOTES, SEE DWG. GNI.

CODE: 30

METRIC
 1
 2
 60
 PLOTTED: 10 NOV 1999 14:28:29 BY: ashua