

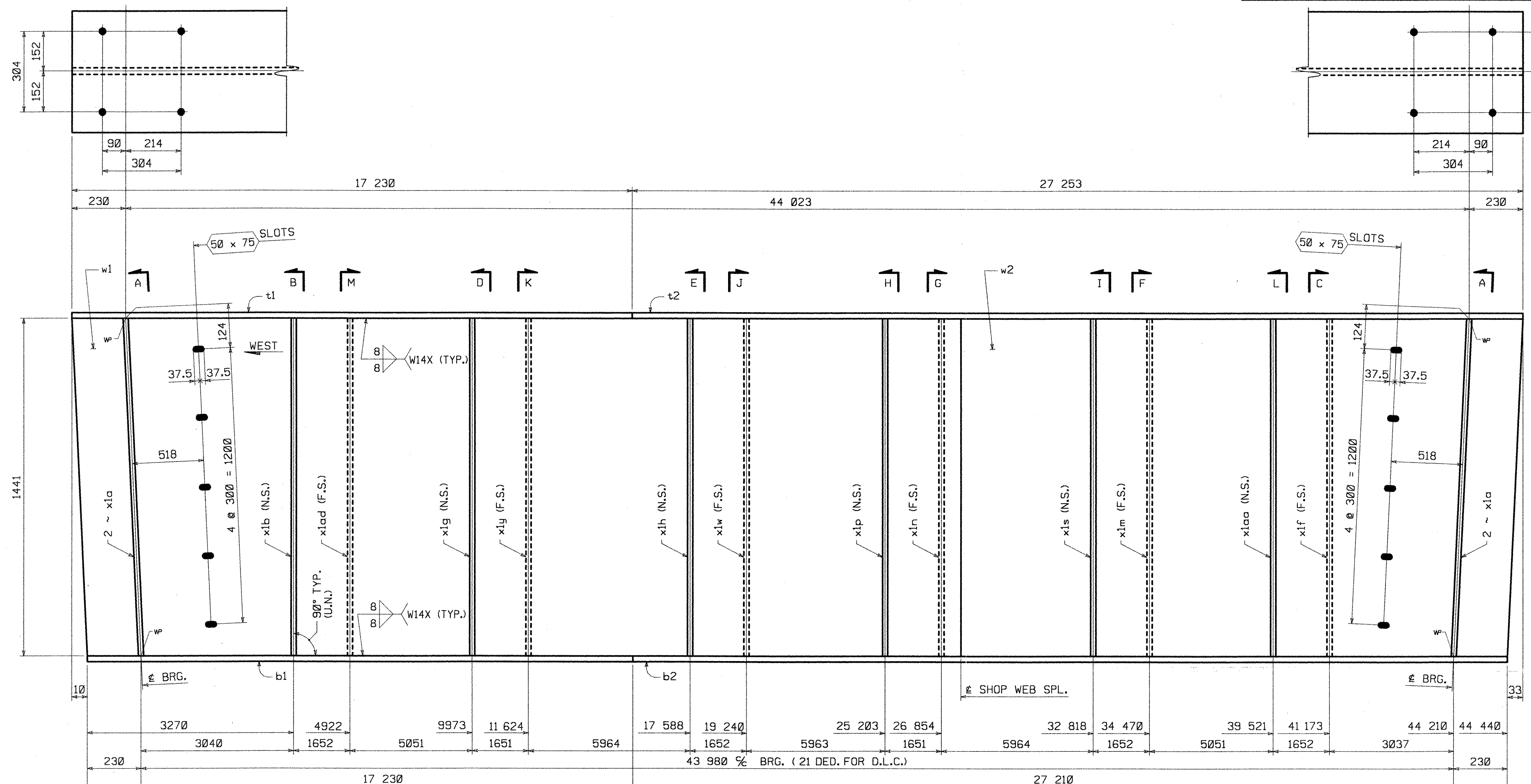
METRIC

1. ALL DIMENSIONS ARE IN MILLIMETERS UNLESS OTHERWISE NOTED.  
2. ALL WEIGHTS ARE IN KILOGRAMS.

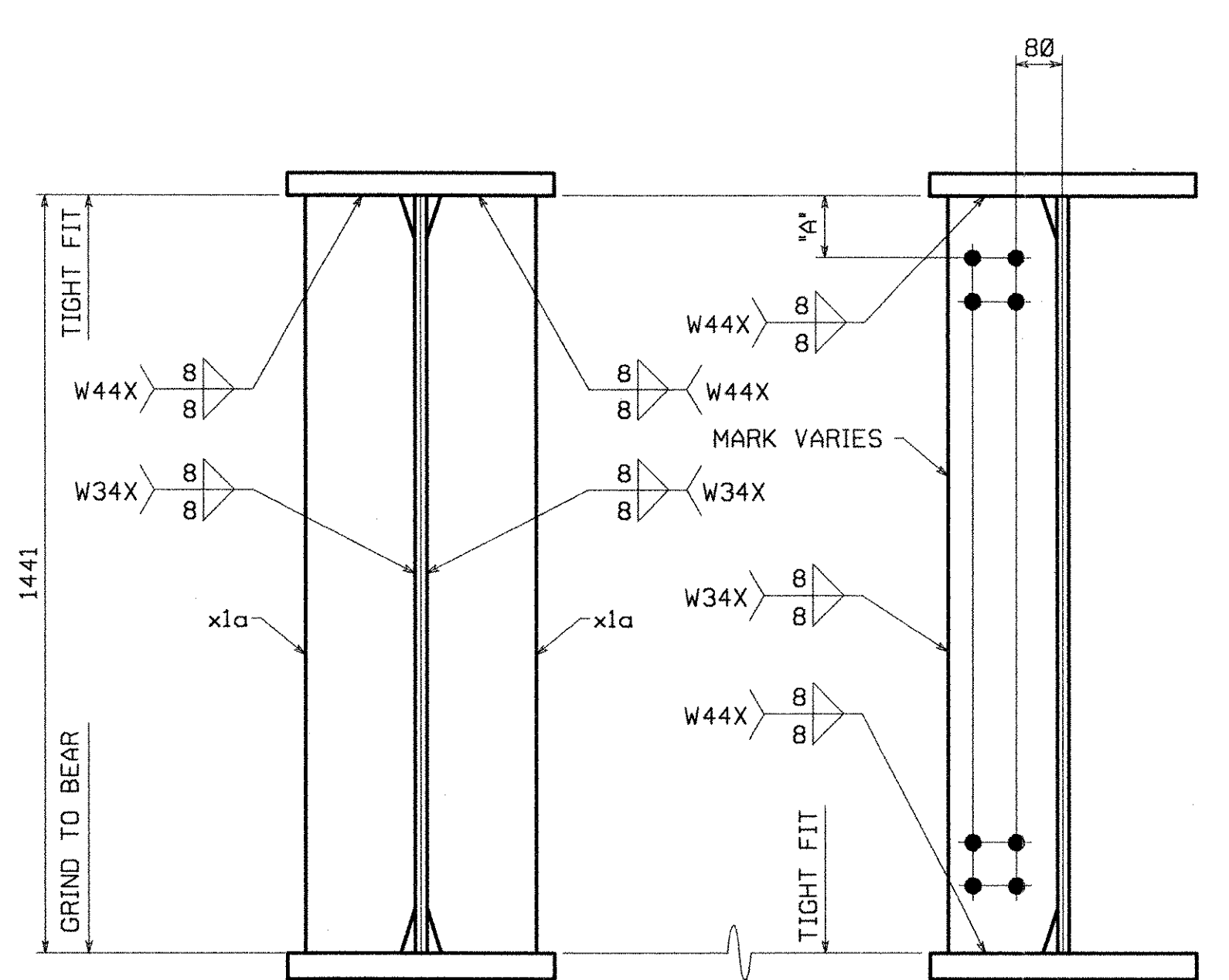
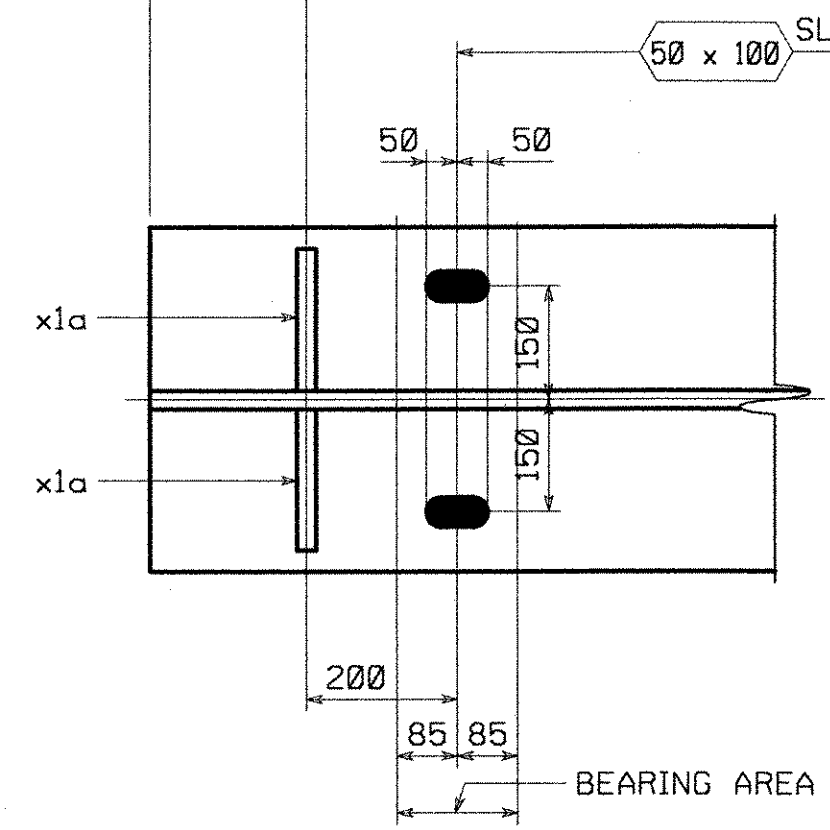
FED. ROAD DIV. NO.	STATE	FED. AID PROJ. NO.
	VT	

**BILL OF MATERIAL**

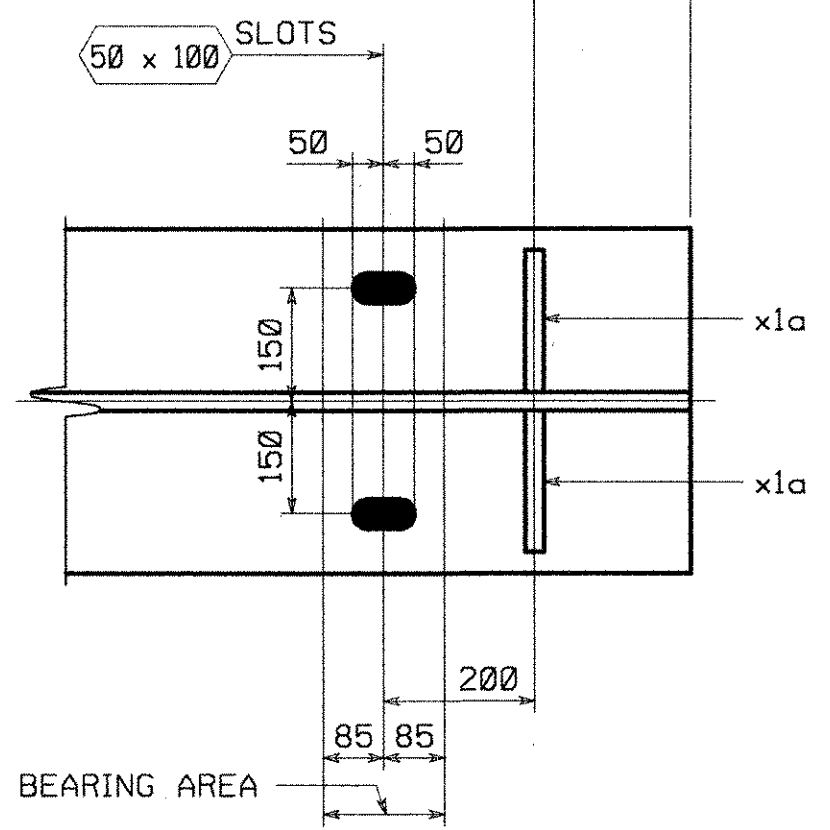
NO.	MARK	DESCRIPTION	LENGTH	REMARKS	ITEM	SHIP. WEIGHT EA.
ONE	G4A	GIRDER				23 900kg
1	w1	1441 x 20	27 243 (T)		1/2	
1	w2	1441 x 20	17 245 (T)		1/3	
1	t1	458 x 38	17 230 (T)		2/5	
1	t2	458 x 38	27 253 (T)		2/4	
1	b1	458 x 45	17 230 (T)		2/3	
1	b2	458 x 45	27 210 (T)		2/2	
4	x1a	188 x 25	1441		3/2	
1	x1b	188 x 14	1441		3/3	
1	x1f	188 x 14	1441		3/3	
1	x1g	188 x 14	1441		3/3	
1	x1h	188 x 14	1441		3/3	
1	x1m	188 x 14	1441		3/3	
1	x1n	188 x 14	1441		3/3	
1	x1p	188 x 14	1441		3/3	
1	x1s	188 x 14	1441		3/3	
1	x1w	188 x 14	1441		3/3	
1	x1y	188 x 14	1441		3/3	
1	x1aa	188 x 14	1441		3/3	
1	x1ad	188 x 14	1441		3/3	



**GIRDER MK. ~ G4A**



SECT.	'A'
B	126
C	120
D	118
E	116
F	112
G	110
H	108
I	106
J	102
K	100
L	98
M	92



**SHOP NOTE**

**HOLES:** 24# (U.N.)  
**BOLTS:** NONE  
**PAINT:** NONE  
FOR GENERAL SHOP NOTES, SEE DWG. GNI.  
FOR WEB CAMBER DIAGRAM, SEE DWG. WCI.

RECEIVED  
OK'D BY *WJC* OK'D BY *DP*  
NOV 16 1999  
RESUBMIT \_\_\_\_\_ APPROVED *X*  
DATE 12/6/99

NO.	REVISION	BY	DATE

**HIGH STEEL STRUCTURES, INC.**  
1770 Hempstead Road  
Lancaster, PA 17605-0008  
Phone 717/299-5271  
A Division of High Industries, Inc.

GIRDER G4A  
VT. 116 OVER NEW HAVEN RIVER  
VT. 116 STA. 1+255.00 TO STA. 1+299.00  
TOWN OF BRISTOL, BRIDGE NO. 10  
STATE OF VERMONT  
AGENCY OF TRANSPORTATION

STATE CONTRACT OR REF. NO. PROJECT NO. ER 021-1113 073  
CONTRACTOR BECK & BELLUCCI, INC.  
IN CHARGE: ALLEN (IH) MADE BY: A66 CHK'D. BY: PFH DATE: 11-8-99  
CONTRACT NUMBER: VT-99109-1 DRAWING NUMBER: 6 OF 7

CODE:30