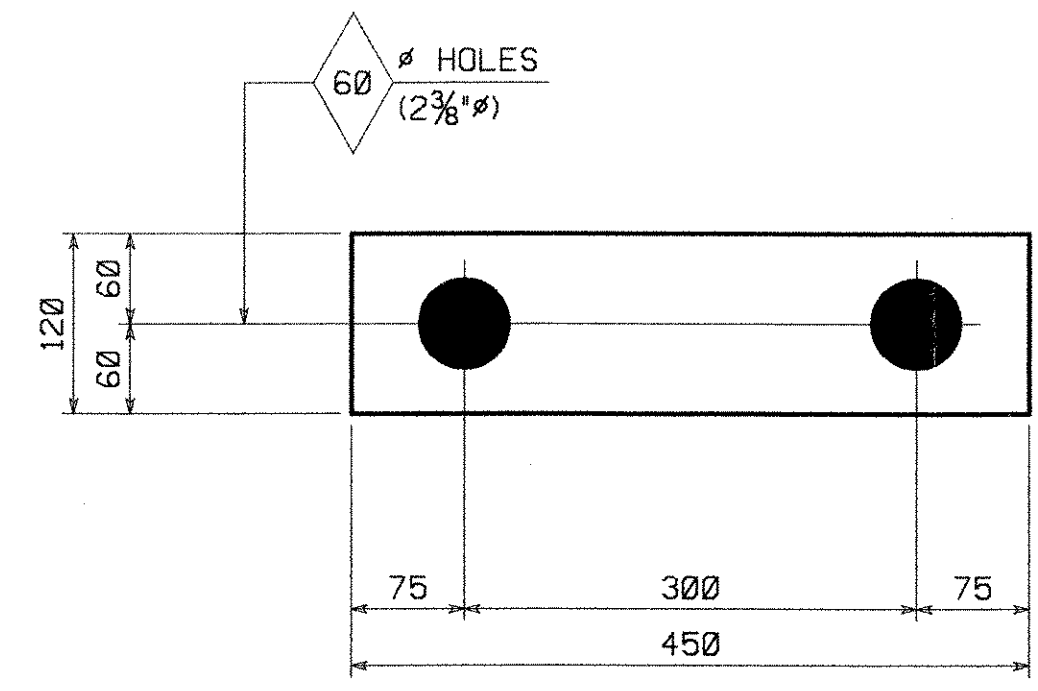


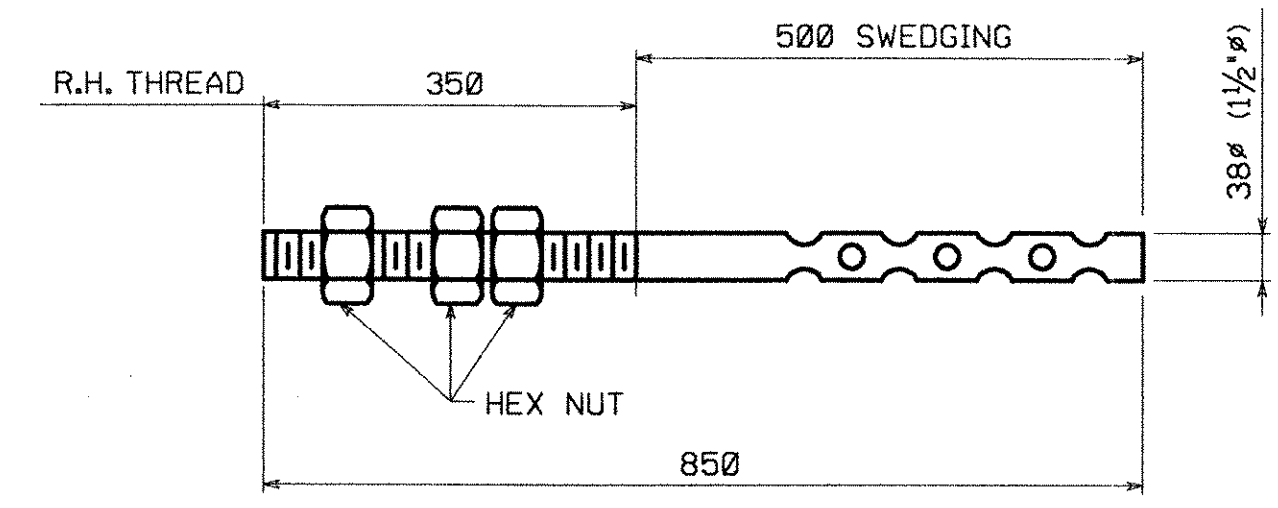
METRIC

1. ALL DIMENSIONS ARE IN MILLIMETERS UNLESS OTHERWISE NOTED.  
2. ALL WEIGHTS ARE IN KILOGRAMS.

FED. ROAD DIV. NO. STATE VT. FED. AID PROJ. NO.



LEVELING PLATES MK. ~ LP1



ANCHOR BOLTS MK. ~ AB1

CODE: P

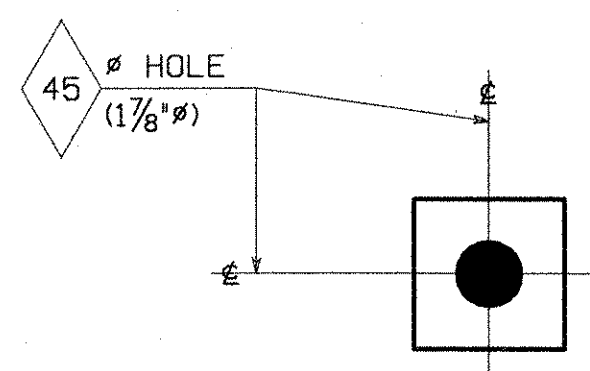


PLATE WASHERS MK. ~ W1

CODE: P

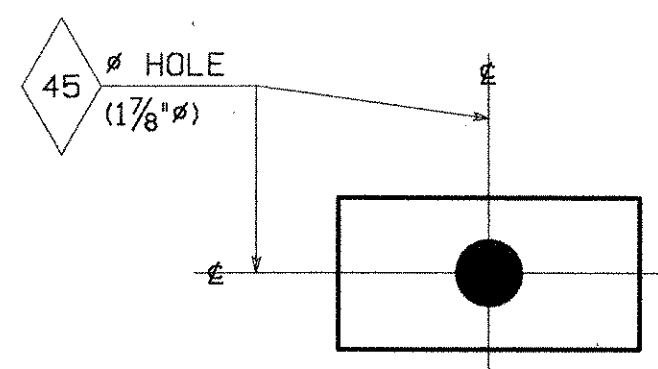


PLATE WASHERS MK. ~ W2

CODE: P

BILL OF MATERIAL

NO.	MARK	DESCRIPTION	LENGTH	REMARKS	ITEM	SHIP. WEIGHT EA.
10	LP1	LEVELING PLATES	450		A1/7	6 kg
20	W1	PLATE WASHERS	100	GALV. TO A153	A1/4	1 kg
20	W2	PLATE WASHERS	200	GALV. TO A153	A1/5	2 kg
20	AB1	ANCHOR BOLTS	850	M291 GR. A HEX NUTS GALV. TO A153	A1/2	18 kg

RECEIVED  
OK'D BY: *AP*  
NOV 16 1999  
RESUBMIT:  APPROVED:   
DATE: 12/6/99

NO.	REVISION	BY	DATE

1770 Hempstead Road  
Lancaster, PA 17605-0008  
Phone 717/299-5281  
**HIGH STEEL STRUCTURES, INC.**  
A Division of High Industries, Inc.

**SHOP NOTE**  
HOLES: AS NOTED  
BOLTS: NONE  
PAINT: NONE  
FOR GENERAL SHOP NOTES, SEE DWG. GNI.

BEARINGS  
VT. 116 OVER NEW HAVEN RIVER  
VT. 116 STA. 1+255.00 TO STA. 1+299.00  
TOWN OF BRISTOL, BRIDGE NO. 10  
STATE OF VERMONT  
AGENCY OF TRANSPORTATION  
STATE CONTRACT OR REF. NO. PROJECT NO. ER 021-1(13)  
CONTRACTOR: BECK & BELLUCCI, INC. 068  
IN CHARGE: ALLEN (IH) MADE BY: A66 BY: PFH DATE: 11-8-99  
CONTRACT NUMBER: VT-99109-1 DRAWING NUMBER: 1 OF 7

CODE:60 (U.N.)