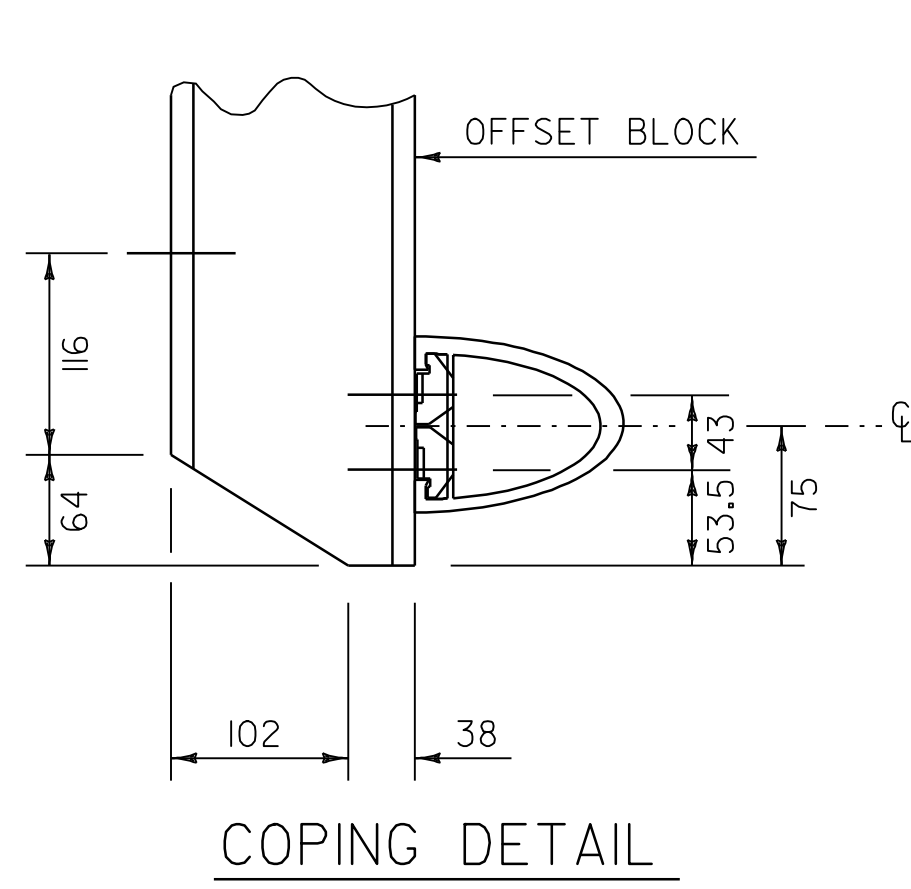
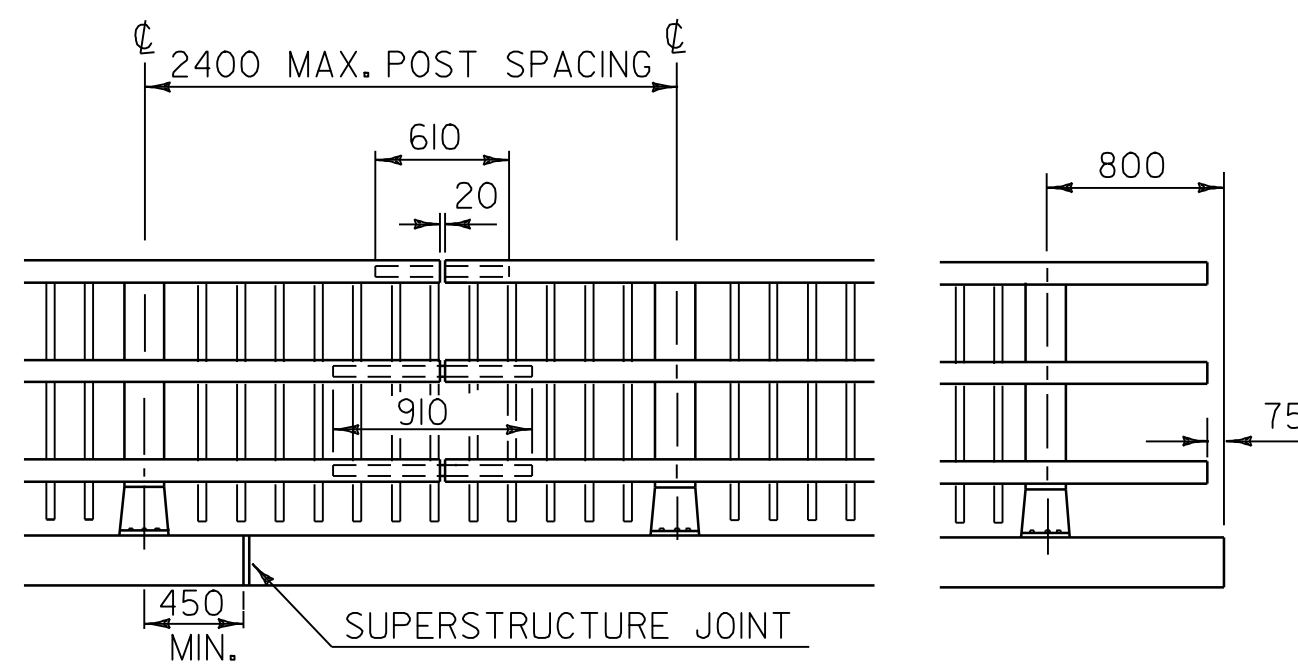


POST SIDE VIEW



COPING DETAIL



FRONT ELEVATION OF THREE RAIL WITH SPINDLES

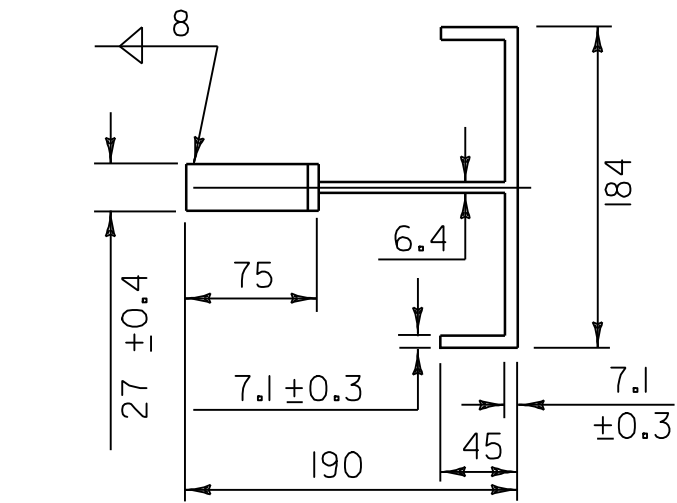
NOTE: RAIL POSTS ARE TO BE SET NORMAL TO GRADE UNLESS OTHERWISE DESIGNATED ON BRIDGE PLANS. ALL DIMENSIONS ARE TYPICAL UNLESS OTHERWISE DESIGNATED ON BRIDGE PLANS.

THIS REFLECTORIZED ALUMINUM DELINEATOR IS TO BE ERECTED EVERY 9 m (OR CLOSEST POST) WITH 2 M4 X 0.7 X 20 SET SCREWS.

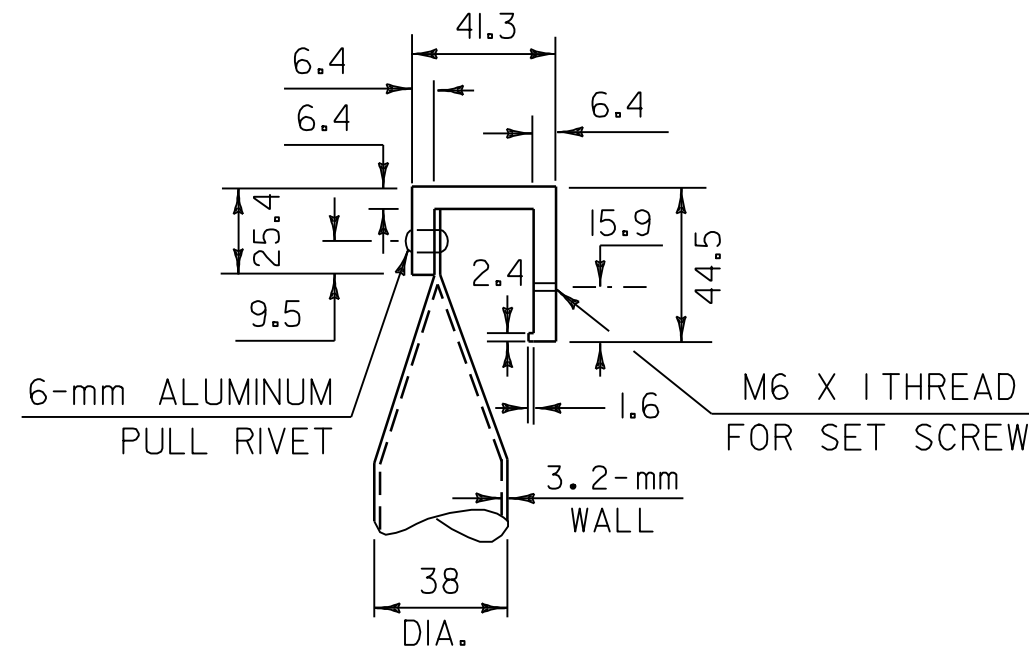
DELINEATORS SHALL MEET SPECIFICATION REQUIREMENTS FOR ASTM B 209M ALLOY 5052-H32.

REFLECTIVE MATERIAL SHALL MEET THE REQUIREMENTS OF SUBSECTION 750.08 AND SHALL BE OF ENCAPSULATED LENS SILVER OR AMBER. AMBER IS TO BE INSTALLED ON THE DRIVER'S LEFT AND SILVER ON THEIR RIGHT.

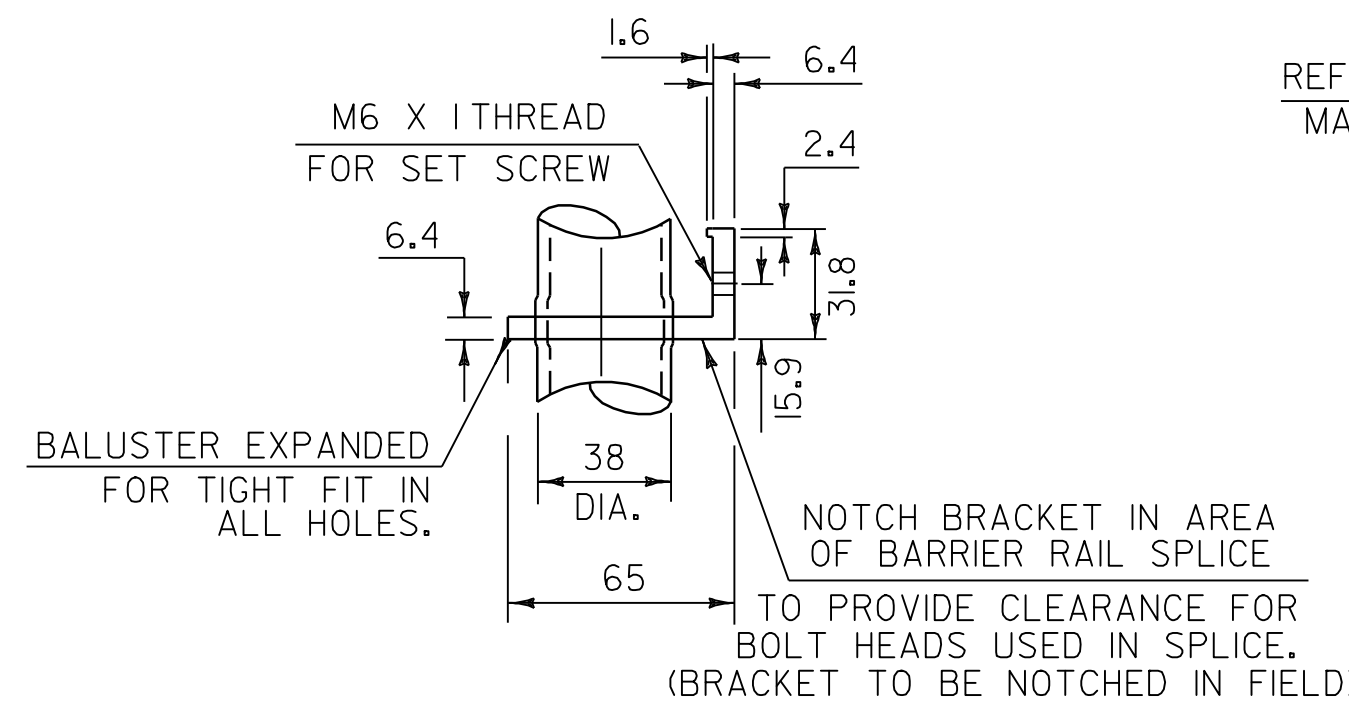
PAYMENT SHALL BE SUBSIDIARY TO ALL OTHER ITEMS.



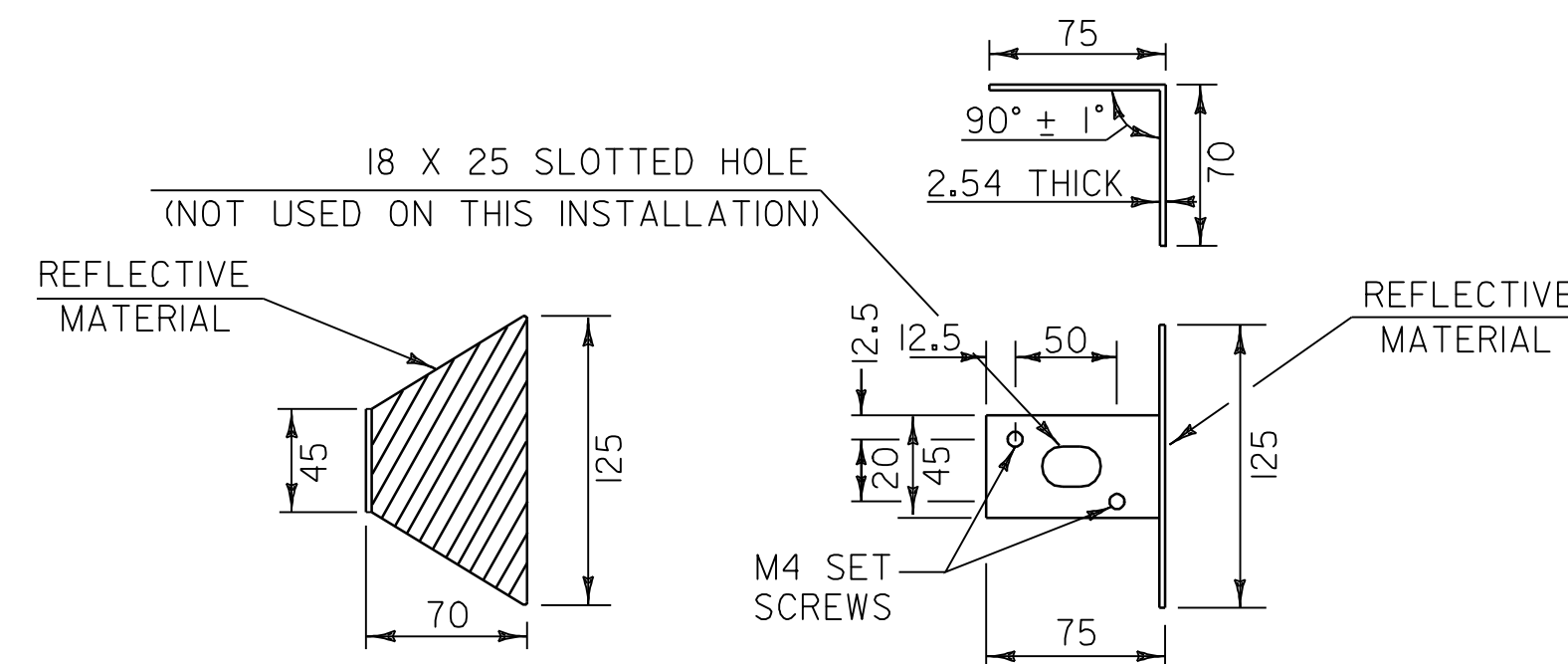
POST PLAN VIEW



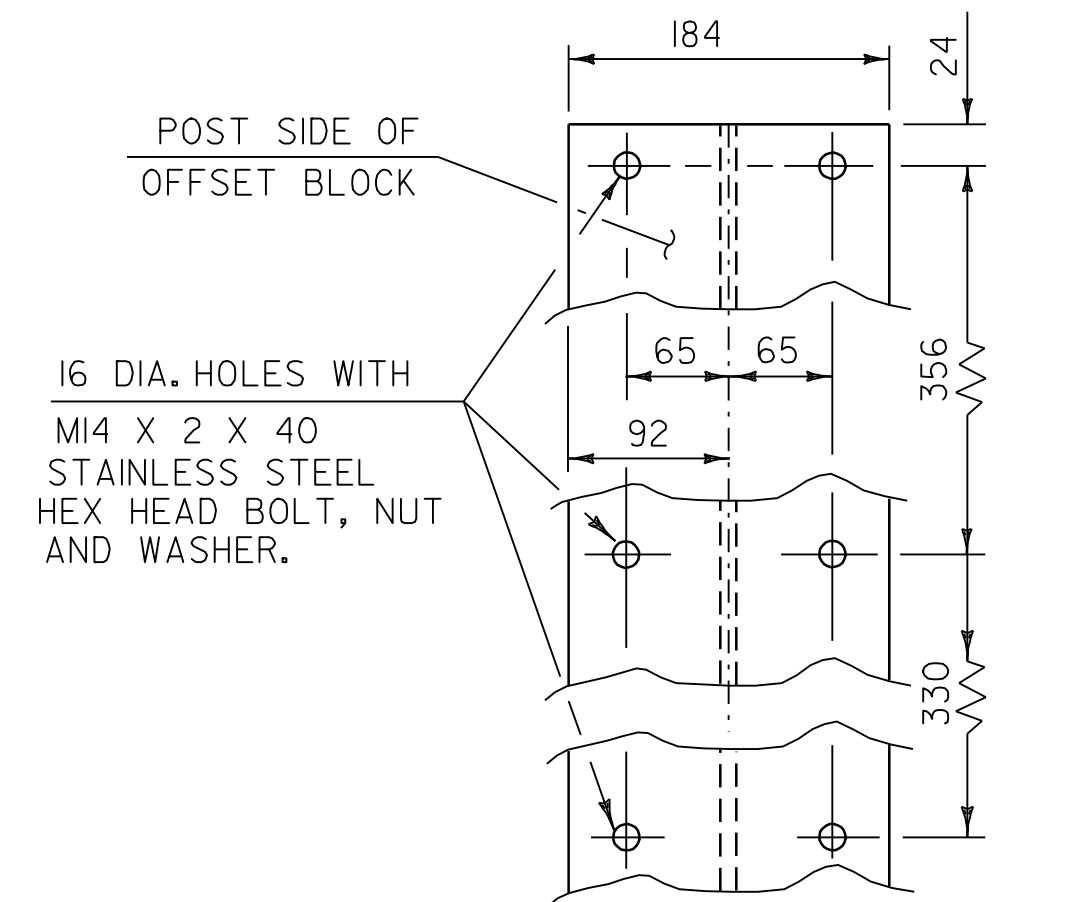
DETAIL A



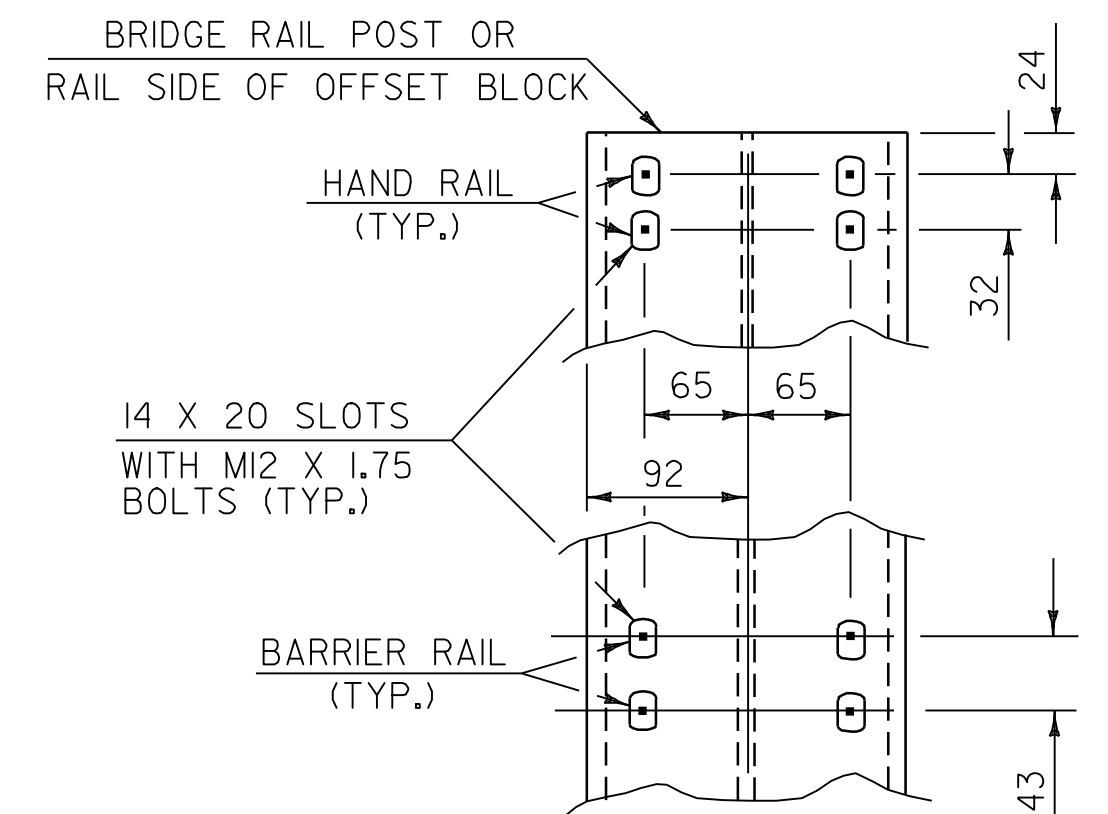
DETAIL B



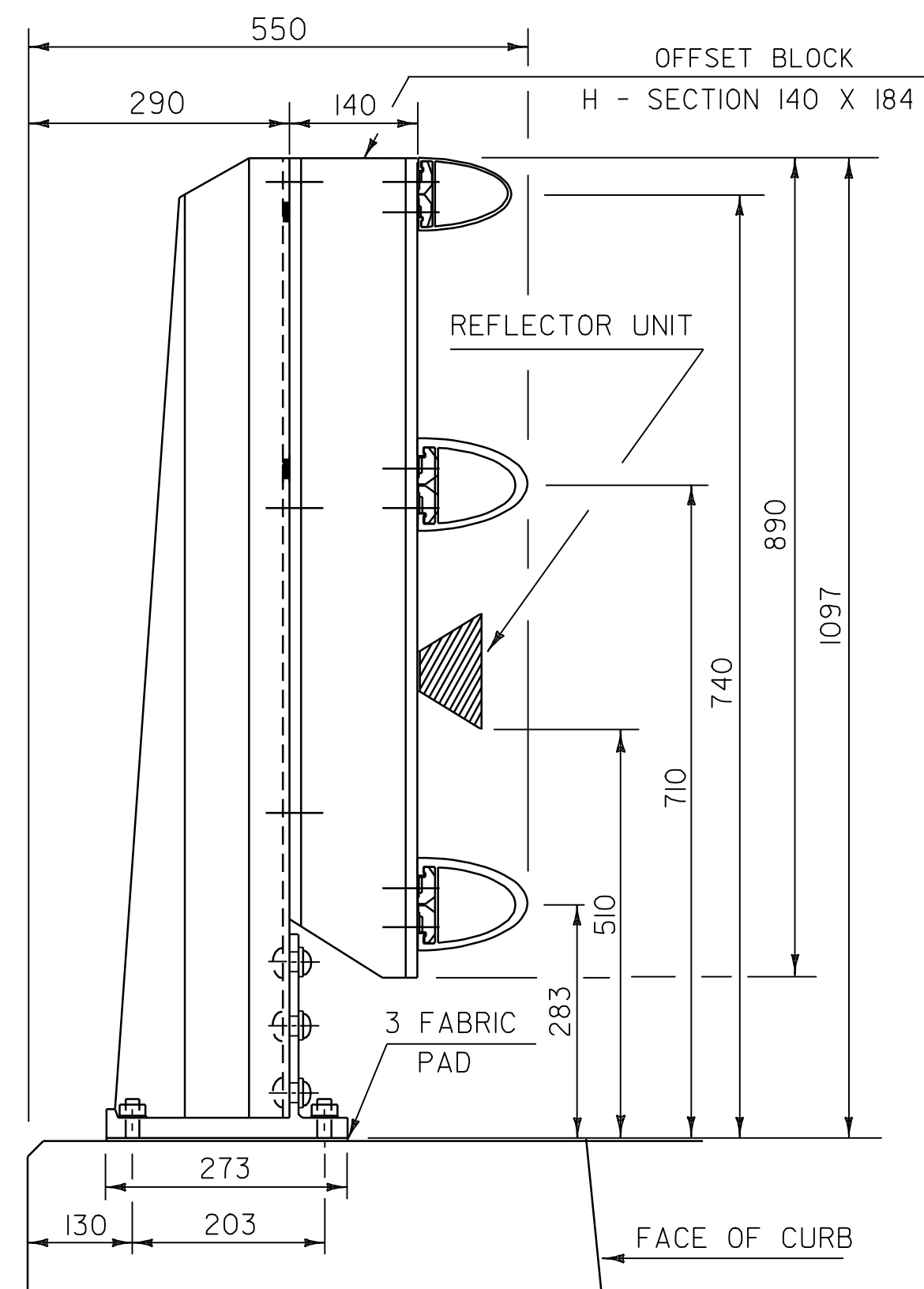
REFLECTOR DETAILS



OFFSET BLOCK CONNECTION

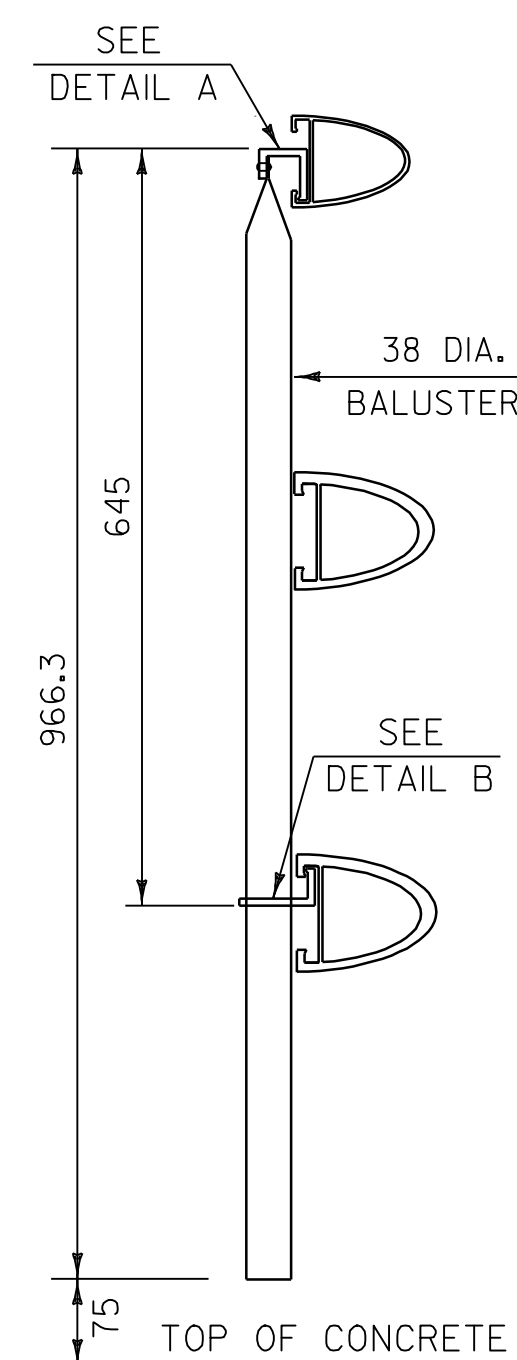


RAIL CONNECTION



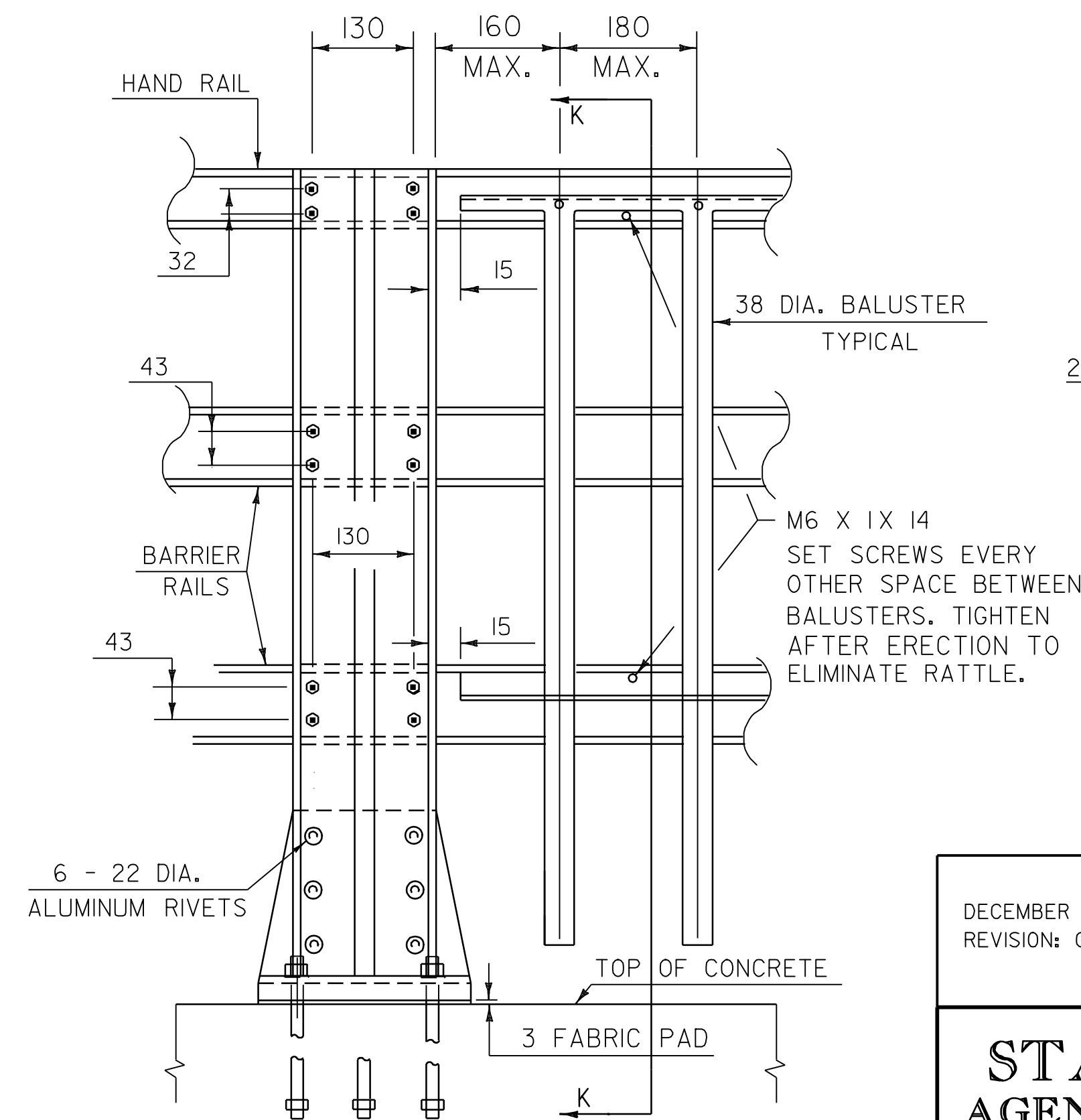
SIDE ELEVATION OF THREE RAIL TO BE USED ON CURB SIDE

RAIL POST DETAILS ON SUPERSTRUCTURE

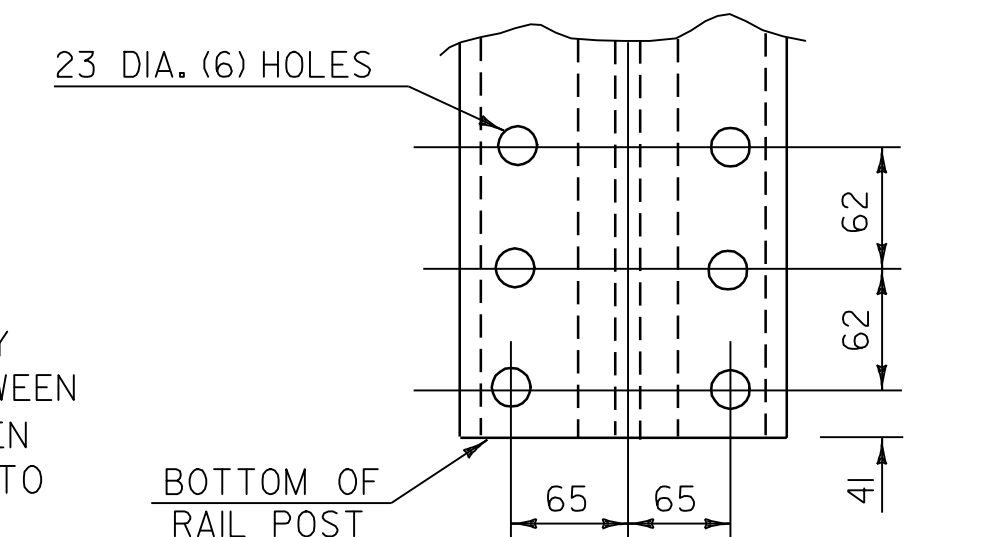


SECTION KK

DETAILS OF SPINDLES FOR ALUMINUM RAILING



OUTSIDE ELEVATION OF THREE RAIL POST & SPINDLES



POST BASE BOLT HOLE DETAILS

REVISIONS AND CORRECTIONS
DECEMBER 18, 1997 - ORIGINAL APPROVAL DATE
REVISION: COPING DETAIL MODIFIED. JHW 06/16/98

**STATE OF VERMONT
AGENCY OF TRANSPORTATION**

Town Of **BRISTOL** Bridge No. **10**
Highway No. **VT.116** Log Sta.
Surv. Sta.

ALUMINUM BRIDGE RAILING DETAILS 1 OF 3

Designed By **A.PORTALUPI** Drawn By **L.BULLOCK**
Checked By **T.LACKEY** Date **5/99** Bridge Design Supervisor **A.PORTALUPI** Date **5/99**

PROJECT **BRISTOL** PROJECT NO. **ER 021-(13)**