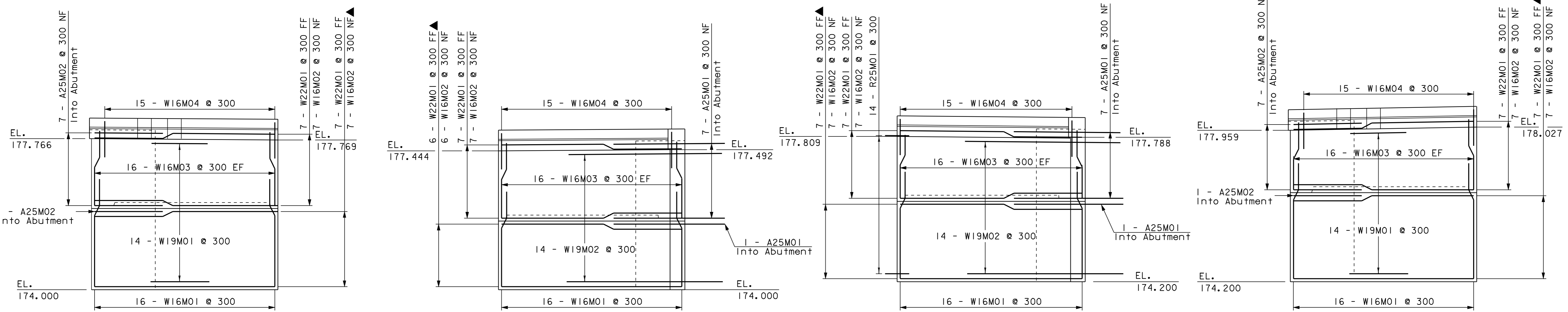


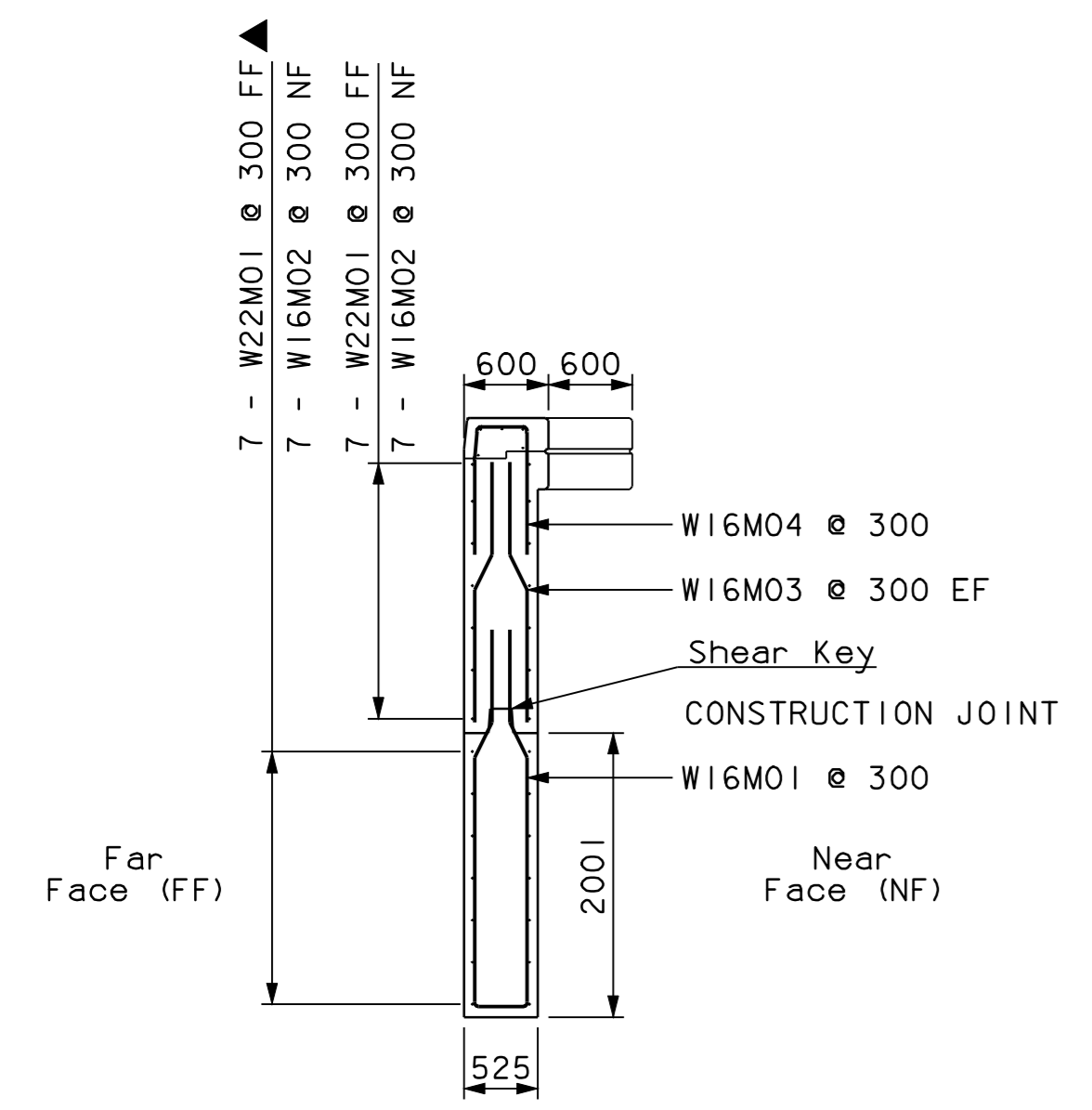
Plan

Scale 1:50

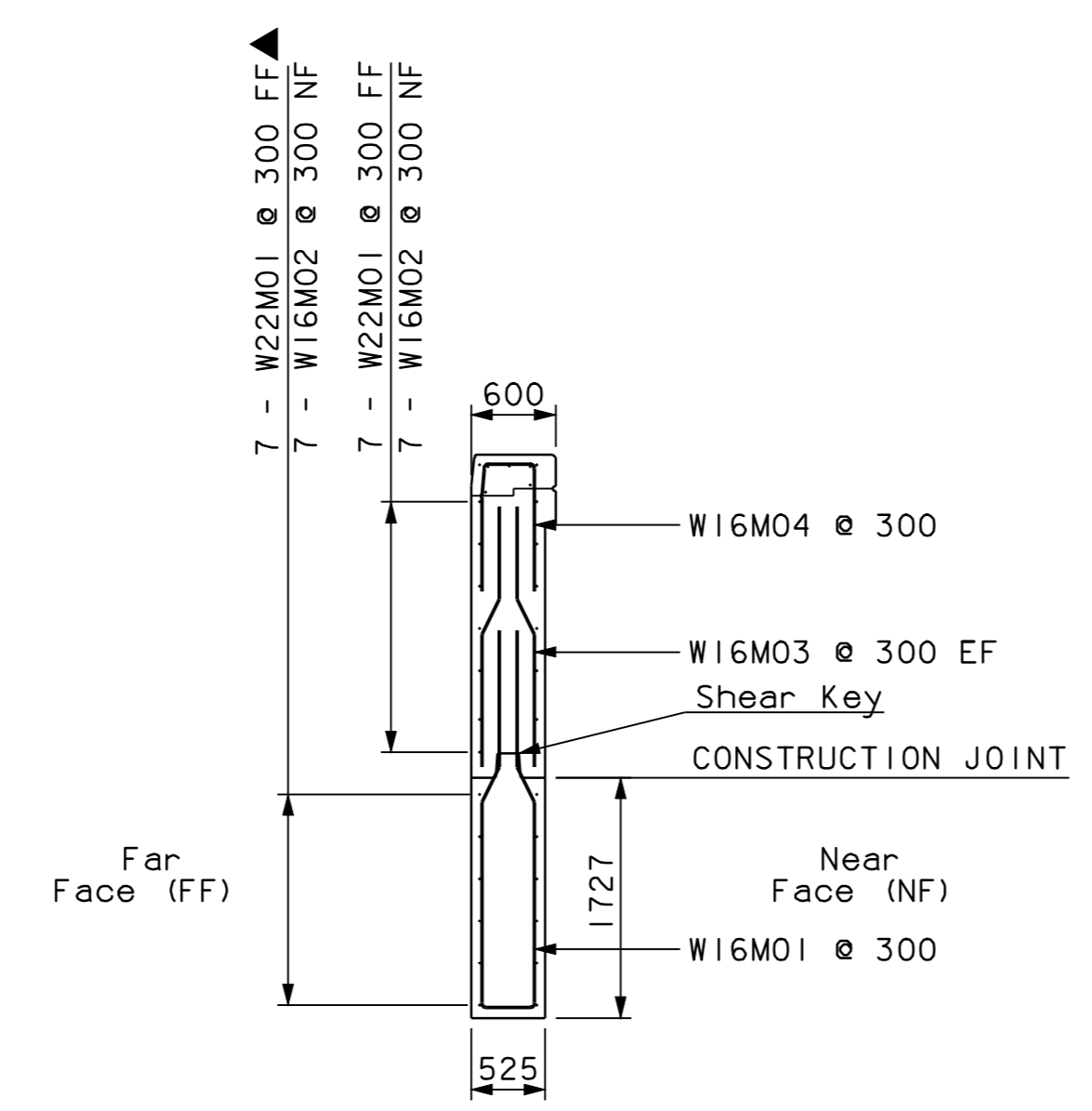


Elevation

All Elevations are shown with Outer Face (OF)
Scale 1:50

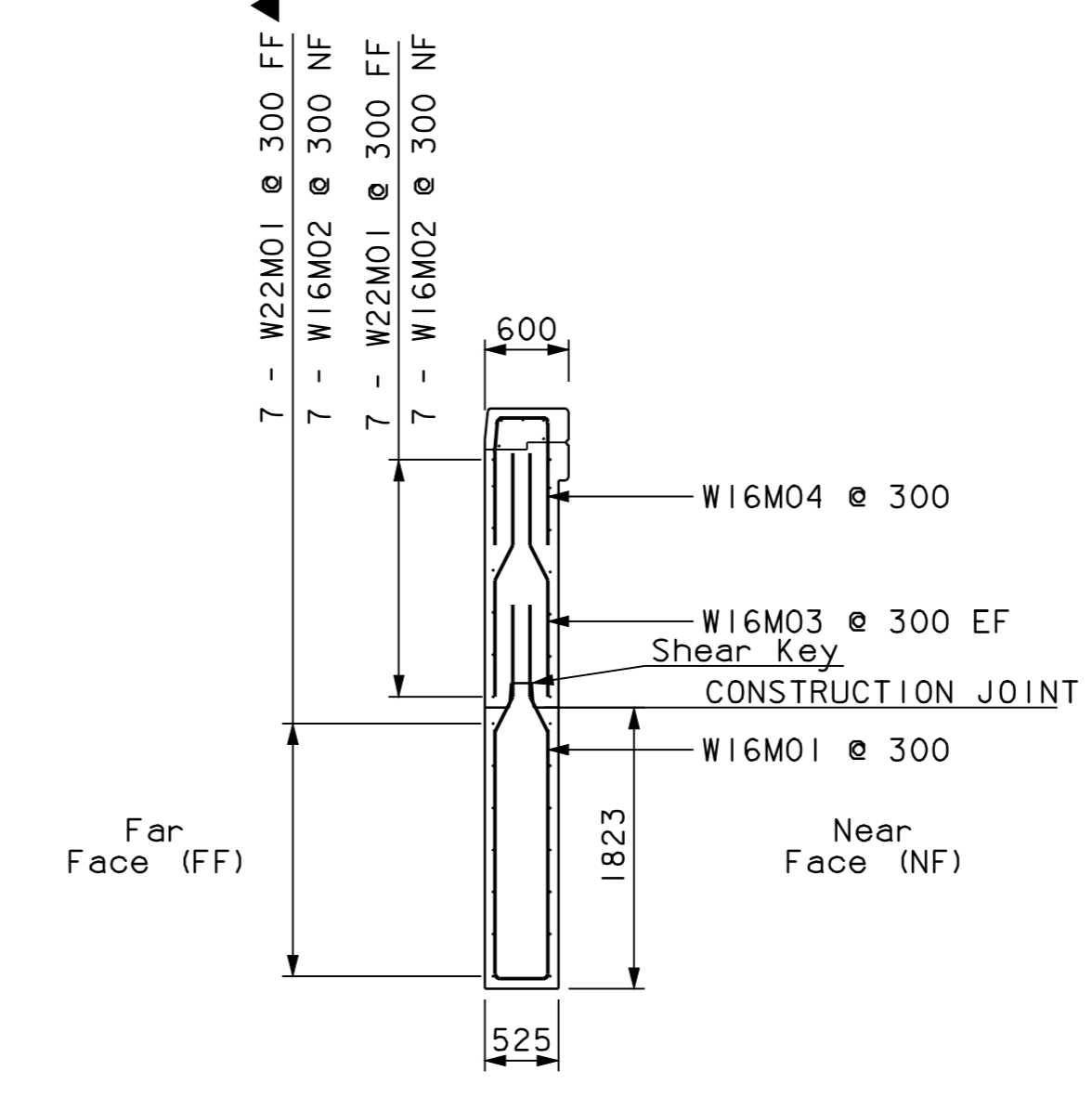


Wing Wall #1

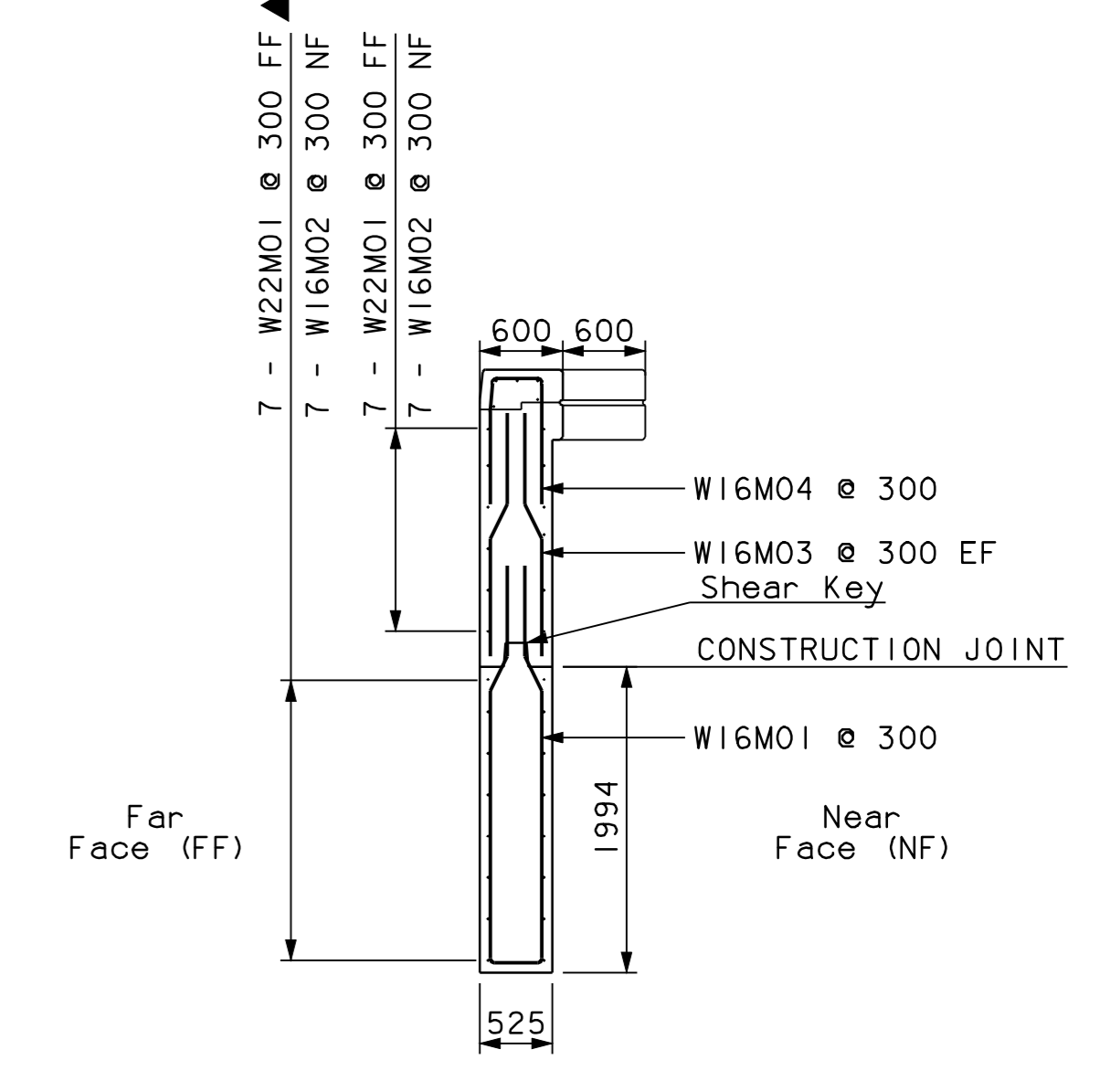


Wing Wall #2

Typical



Wing Wall #3



Wing Wall #4

Scale 1:50

Required Reinforcing Steel
Each Wall

16 W16M01	14 W19M01 or W19M02
14 W16M02	14 W22M01
32 W16M03	8 A25M01
15 W16M04	

PROJECT NAME:	BRISTOL	FILE NAME:	/str2/78f188/sf188ww.dgn	PLOT DATE:	05-JAN-2007
PROJECT NUMBER:	ER 021-(13)	PROJECT LEADER:	A. PORTALUPI	DRAWN BY:	G. COLGROVE
		DESIGNED BY:	G. COLGROVE	CHECKED BY:	
		sf188ww.1		SHEET 49	OF 67