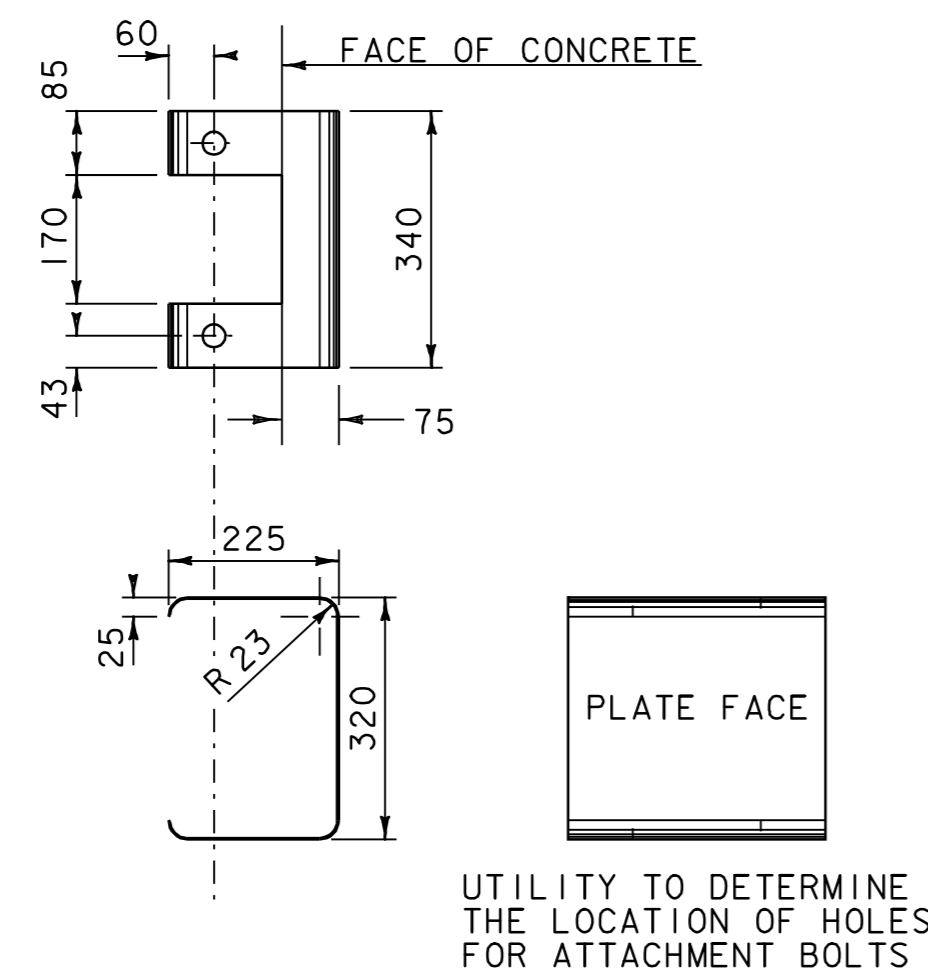
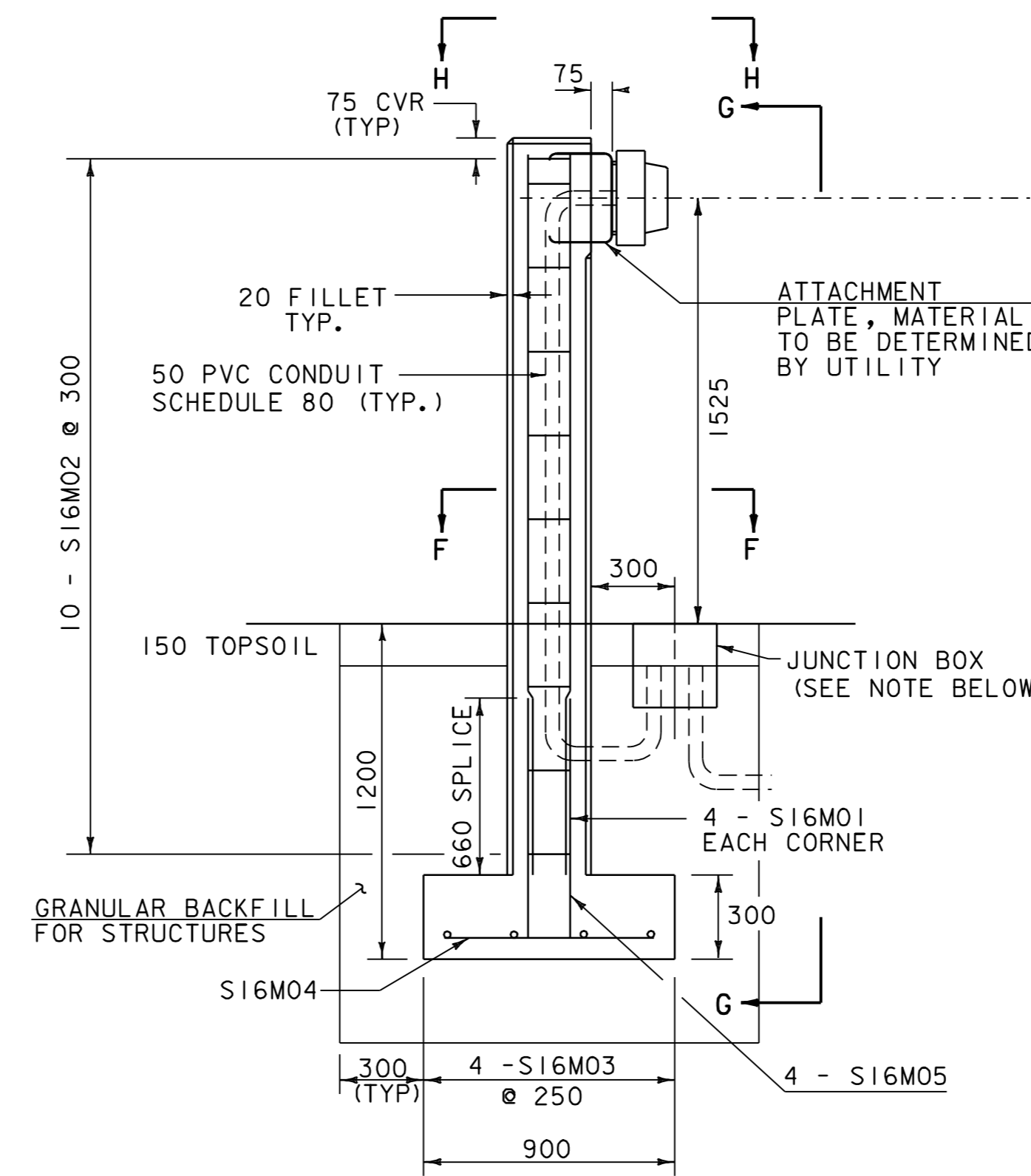


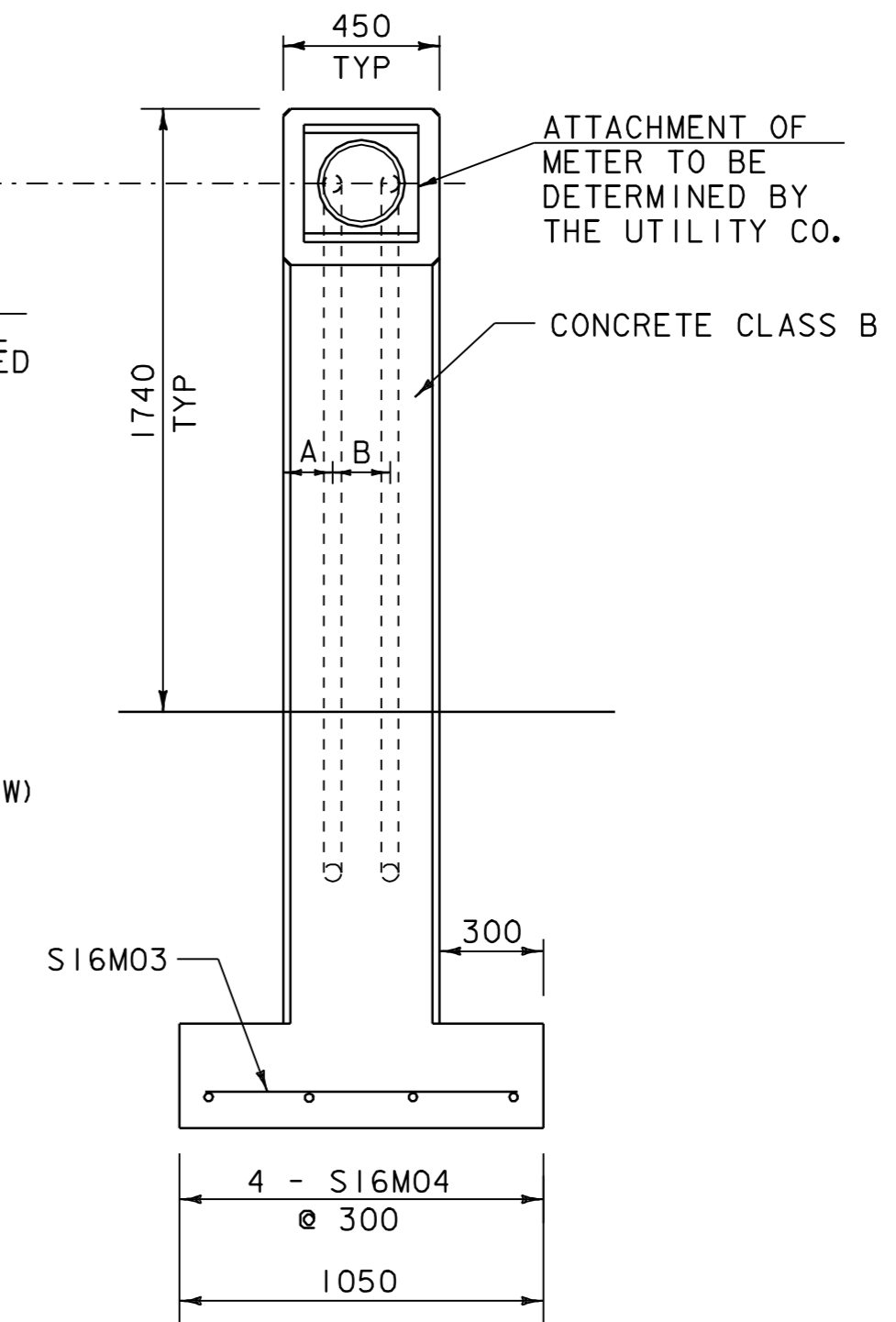
NOTE:
METER FACE IS TO POINT
AWAY FROM ROADWAY.



ATTACHMENT PLATE
DETAIL
SCALE 1:10



SIDE VIEW



SECTION G-G
FRONT VIEW

- REQUIRED REINFORCING STEEL
- 4 - S16M01
 - 10 - S16M02
 - 4 - S16M03
 - 4 - S16M04
 - 4 - S16M05

NOTE: LENGTHS A AND B TO BE
DETERMINED BY THE UTILITY CO.

POWER DROP STANCHION #3 MOD.

SCALE = 1:20

NOTE: JUNCTION BOX NOT NECESSARY
UNLESS REQUIRED BY UTILITY CO.
CONTRACTOR INSTALLED IF REQUIRED,
UNLESS AGREEMENT WITH UTILITY CO.

DATUM	
VERTICAL	NAVD 88
HORIZONTAL	NAD83(92)

PROJECT:	BRISTOL	PROJECT NO.:	ER 021-1(13)
DESIGN FILE NAME:	M:\Projects\78f188\Structures\sf188sl.dgn	PLOT DATE:	05-JAN-2007
IPARM FILE NAME:	sf188sl3J	SURVEY DATE:	
SURVEYED BY:		DRAWN BY:	L.BULLOCK
SQUAD LEADER:	PORTALUPI	SHEET:	43 OF 67
Power Stanchion Details			