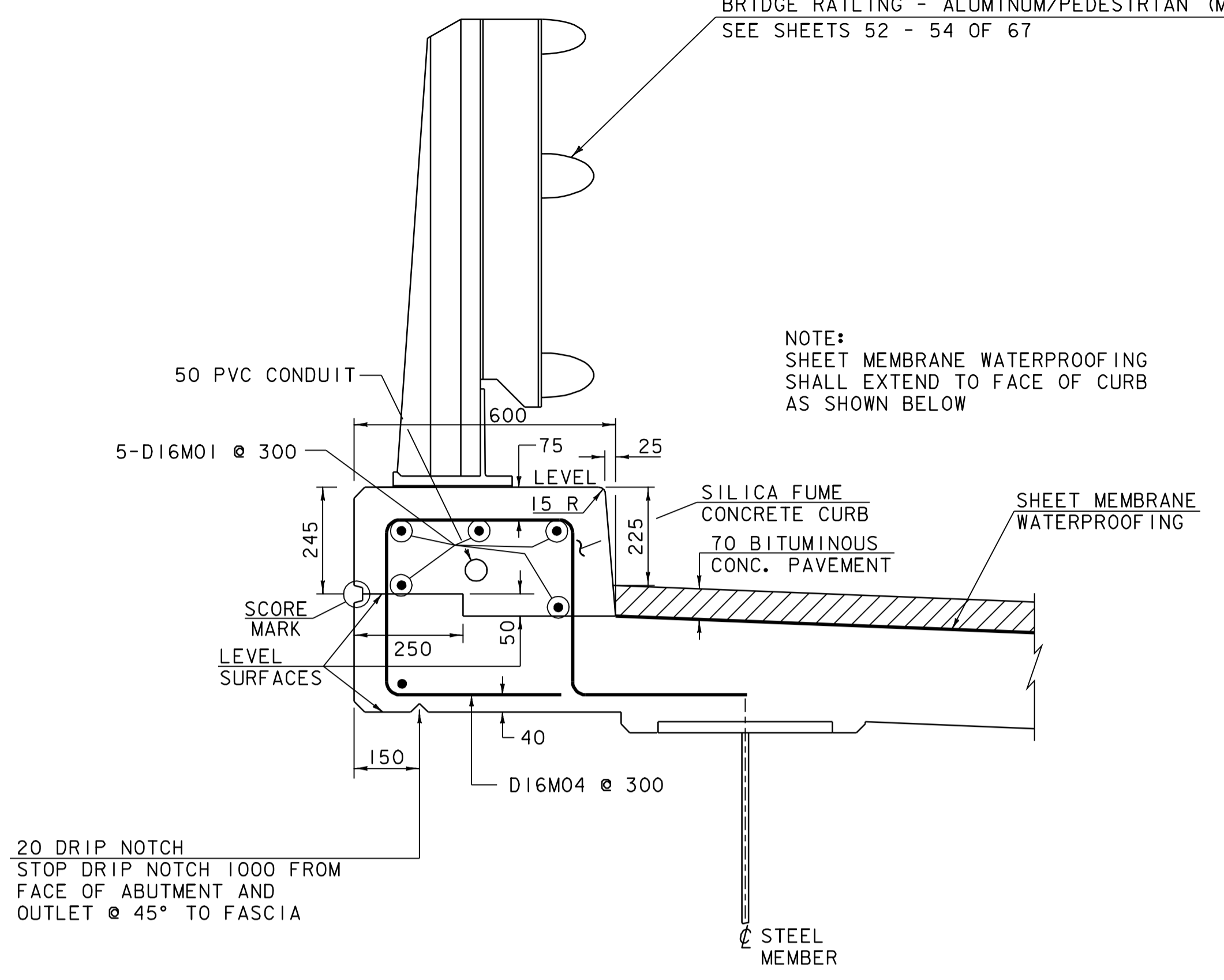


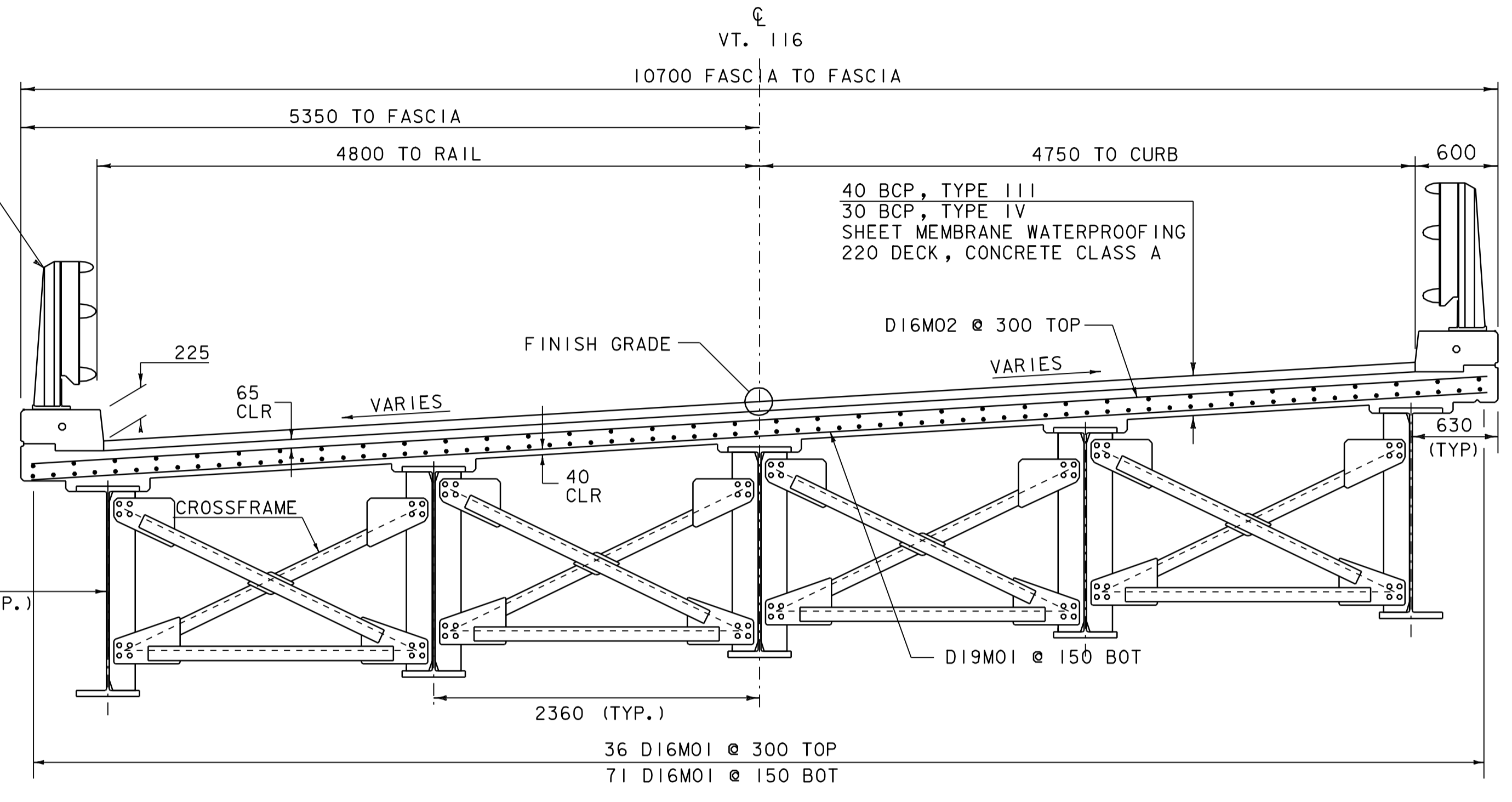
BRIDGE RAILING - ALUMINUM/PEDESTRIAN (MOD.)
SEE SHEETS 52 - 54 OF 67

NOTE:
SHEET MEMBRANE WATERPROOFING
SHALL EXTEND TO FACE OF CURB
AS SHOWN BELOW

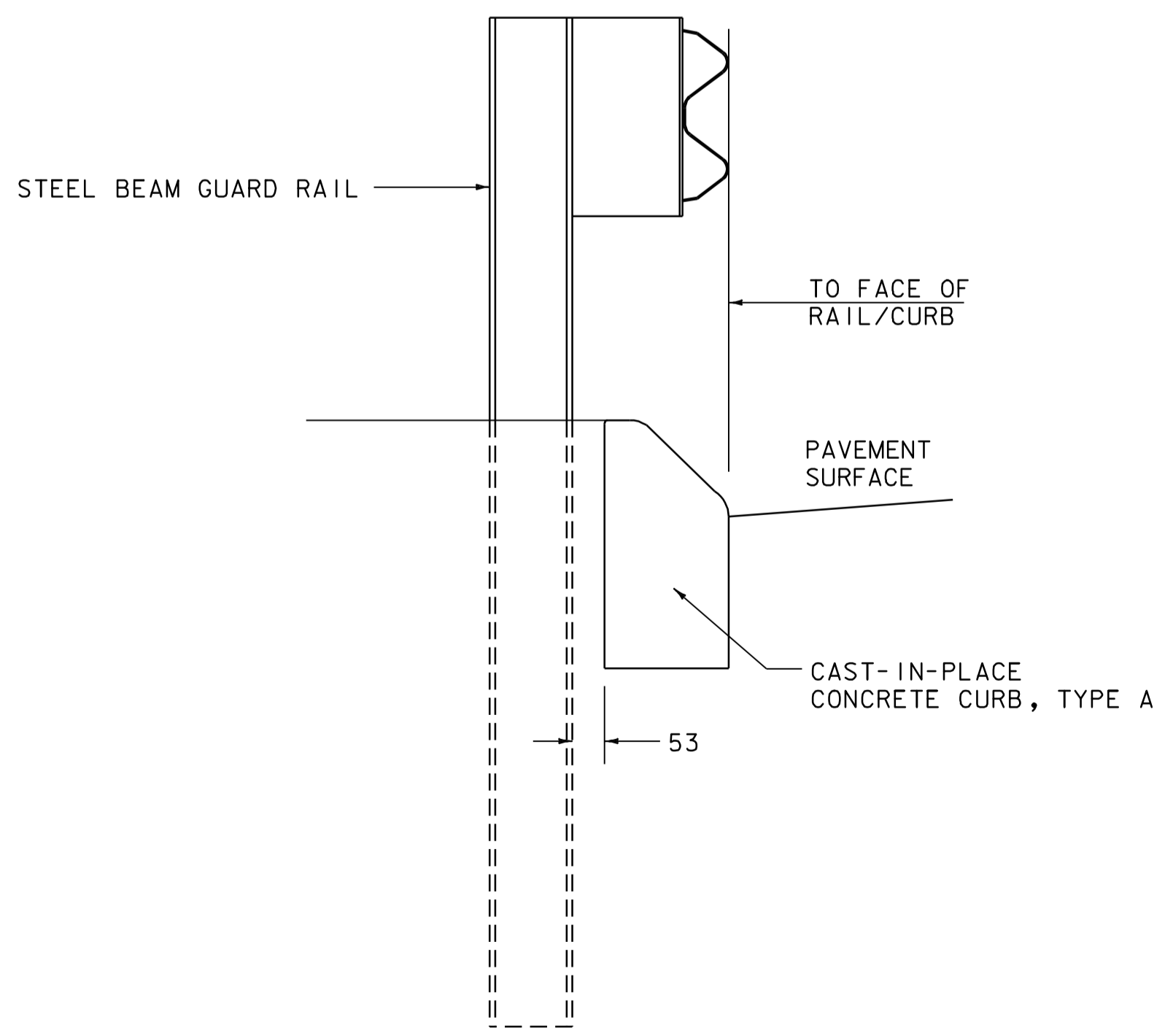


FASCIA & RAILING DETAIL
SCALE = 1:10

144I PLATE GIRDER
M270 - GR34SW (TYP.)



BRIDGE TYPICAL SECTION
SCALE = 1:30



APPROACH RAILING & CURB DETAIL
SCALE = 1:10

STATE OF VERMONT AGENCY OF TRANSPORTATION			
Town Of	<i>BRISTOL</i>	Bridge No.	<i>10</i>
Highway No.	<i>VT.116</i>	Log Sta.	
		Surv. Sta.	
<i>VT.116 BR.10 OVER NEW HAVEN RIVER</i>			
Designed By	<i>T.LACKEY</i>	Drawn By	<i>L.BULLOCK</i>
Checked By	Date	Bridge Design Supervisor	
<i>G.COLGROVE</i>	<i>5/99</i>	<i>A.PORTALUPI</i>	Date <i>5/99</i>
PROJECT	<i>BRISTOL</i>		PROJECT NO. <i>ER 021-1(13)</i>
I.G.C. Info. <i>M:\Projects\78f188\Structures\sf188as.dgn</i>		<i>sf188slb1</i>	
Bridge Sheet No.			Sheet <i>34</i> of <i>67</i>