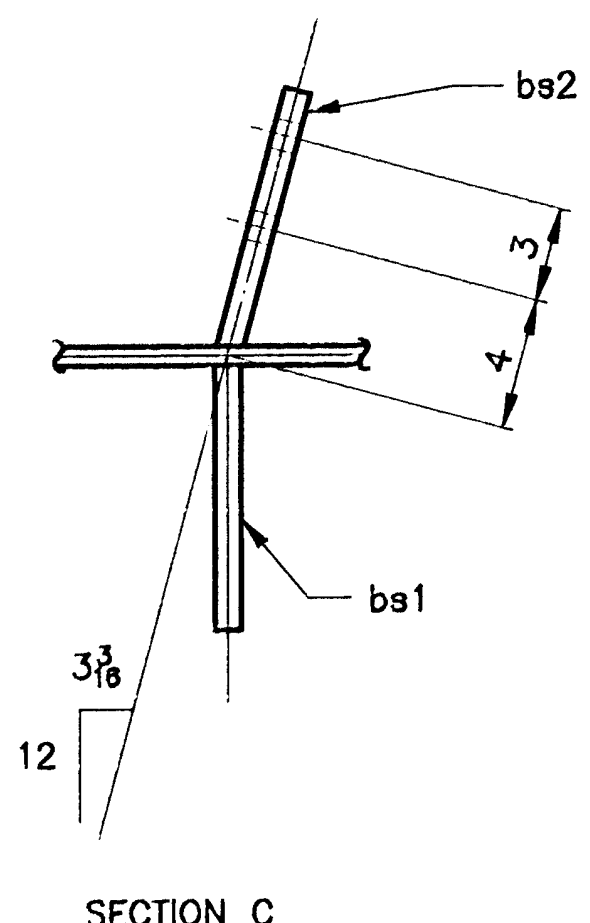
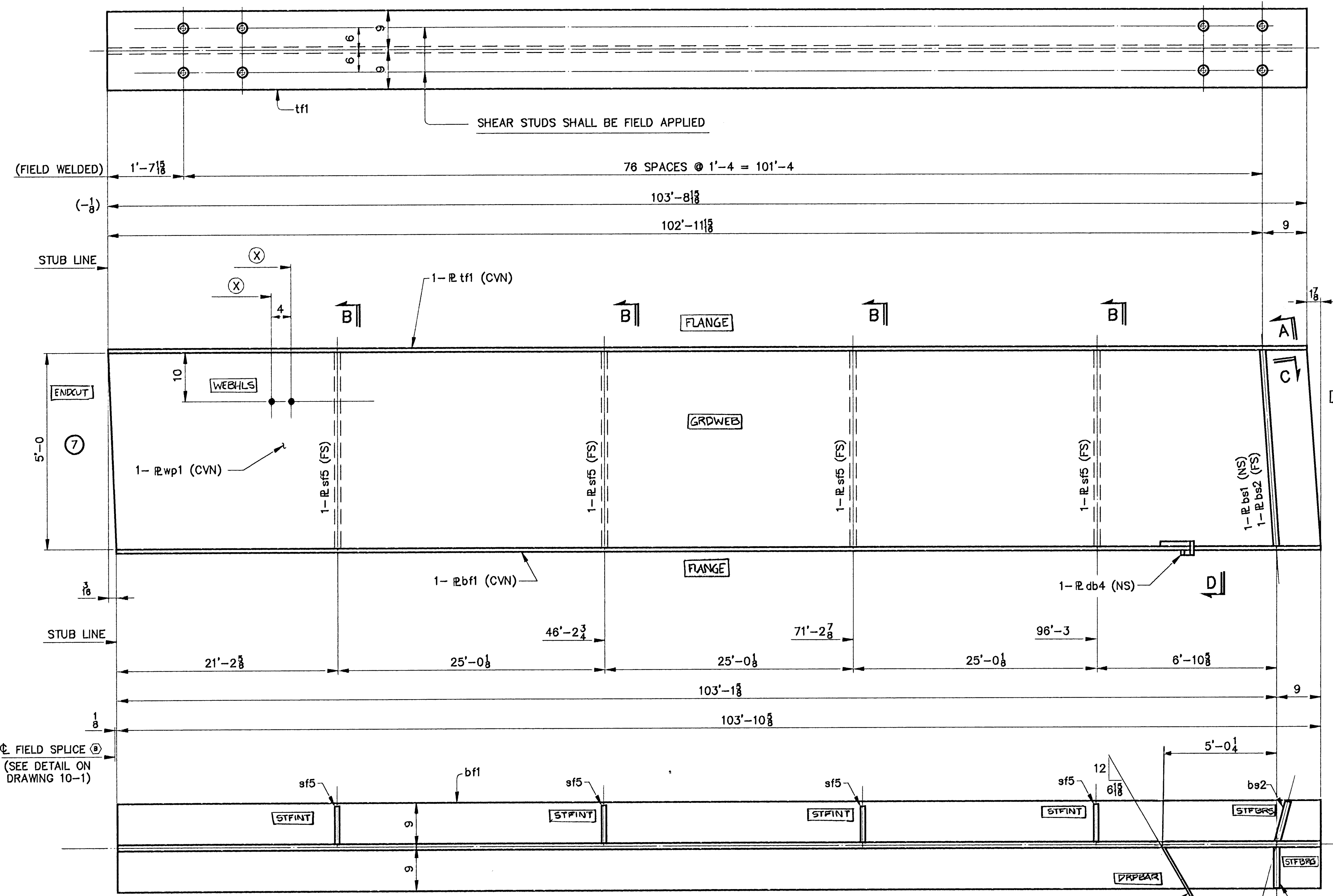
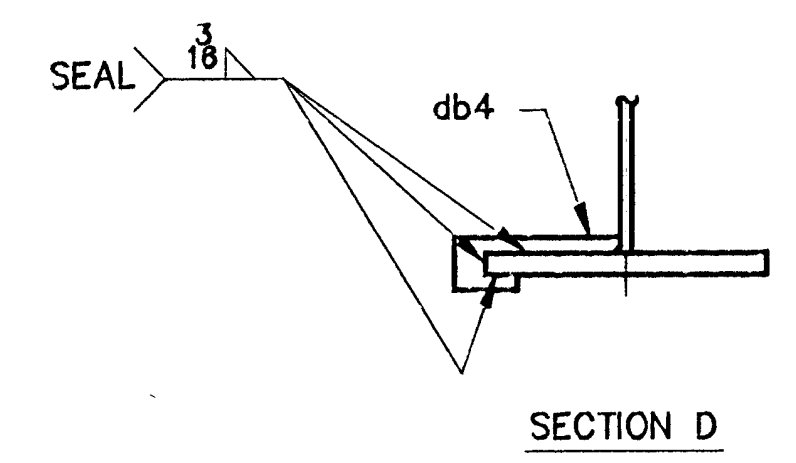


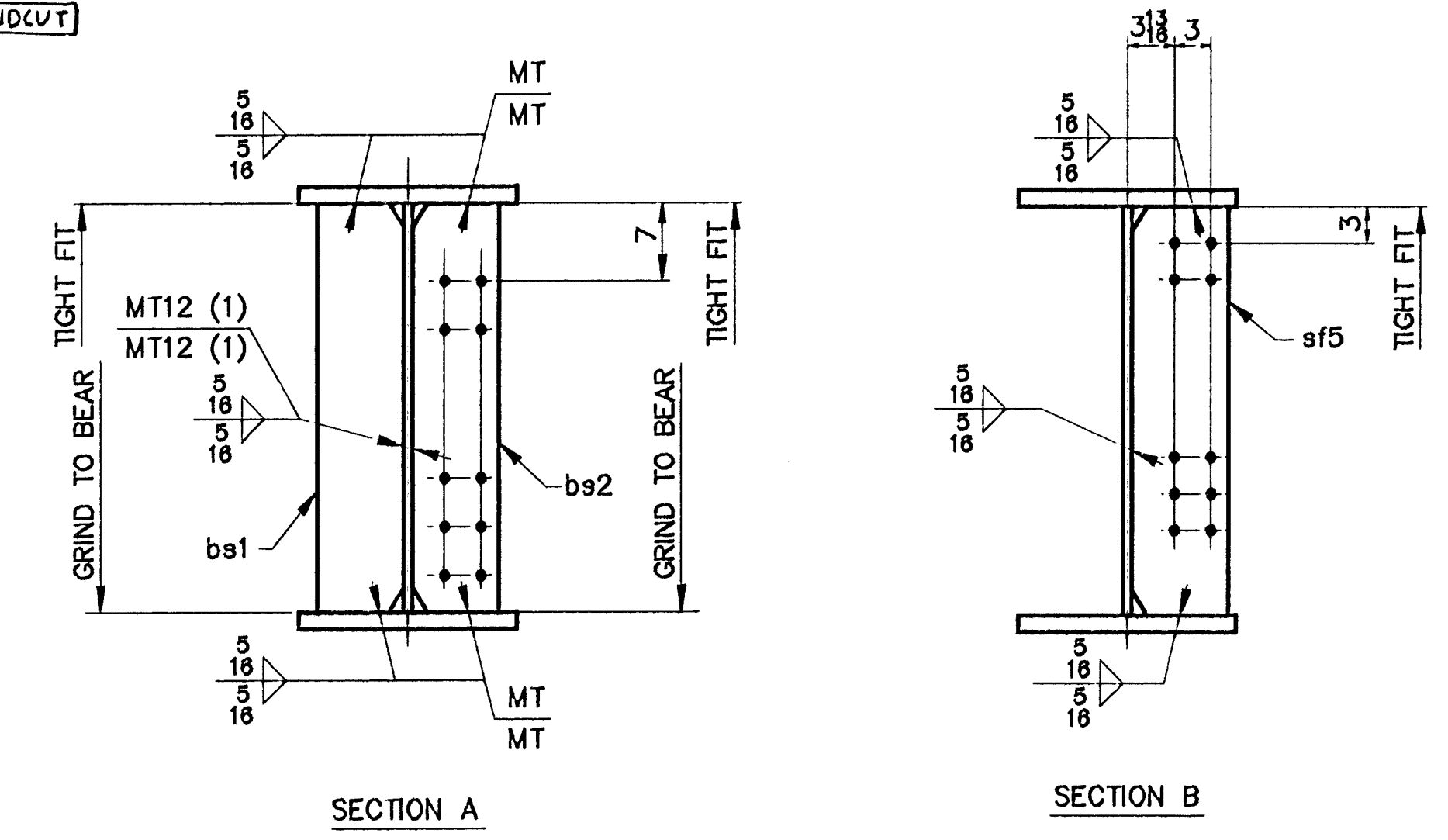
(X)
3'-0 ¹ / ₈
3'-4 ¹ / ₈
6'-10
7'-2
10'-10
11'-2
14'-10
15'-2
18'-10
19'-2
21'-10
22'-2
25'-10
26'-2
29'-10
30'-2
33'-10
34'-2
37'-10
38'-2
41'-10
42'-2
44'-10 ¹ / ₈
45'-2 ¹ / ₈
48'-10 ¹ / ₈
49'-2 ¹ / ₈
52'-10 ¹ / ₈
53'-2 ¹ / ₈
56'-10 ¹ / ₈
57'-2 ¹ / ₈
60'-10 ¹ / ₈
61'-2 ¹ / ₈
64'-10 ¹ / ₈
65'-2 ¹ / ₈
68'-10 ¹ / ₈
69'-2 ¹ / ₈
72'-1 ¹ / ₈
72'-5 ¹ / ₈
76'-1 ¹ / ₈
76'-5 ¹ / ₈
80'-1 ¹ / ₈
80'-5 ¹ / ₈
84'-1 ¹ / ₈
88'-1 ¹ / ₈
88'-5 ¹ / ₈
92'-1 ¹ / ₈
92'-5 ¹ / ₈
95'-1 ¹ / ₄
95'-5 ¹ / ₄
98'-1 ¹ / ₄
98'-5 ¹ / ₄
101'-1 ¹ / ₄
101'-5 ¹ / ₄



ONE ~ GIRDER ~ G7C
GIRDER



SHIP MARK		BILL OF MATERIAL			WORK ORDER NO.	DRAWING NO.	REV.	
		NO.	MARK	SHAPE	LENGTH	ITEM NO.	WT.	REMARKS
G7C		ONE		GIRDER				
wp1	1	wp1		R 8 x 60	103 10 1/8	1	3	13247 (CVN)
tf1	1	tf1		R 1 1/2 x 18	103 8 1/8	1	9	7149 (CVN)
bfl	1	bfl		R 1 1/2 x 18	103 10 1/8	1	5	7158 (CVN)
bs1	1	bs1		R 3/8 x 8 1/2	5 0	2	1	127 F2E
bs2	1	bs2		R 3/8 x 8 1/2	5 0	2	1	127 F2E
sf5	4	sf5		R 1/2 x 8	5 0	2	2	272 F1E
db4	1	db4		R 1/4 x 3 1/2	1 0 1/8	2	13	3



- NOTES**
- FOR CAMBER DIAGRAM SEE DRAWING 10-6.
 - FOR GIRDER STANDARD DETAILS SEE DRAWING 10-3.
 - (CVN) DENOTES CHARTY TEST REQUIRED.

STEEL: ASTM	<input type="checkbox"/> A36	<input type="checkbox"/> A572 GR.	<input checked="" type="checkbox"/> A709 GR. 50W	<input type="checkbox"/> Unless Noted	
WELDING ELECTRODE:	<input type="checkbox"/> E70	<input checked="" type="checkbox"/> See Welding Proc.	<input type="checkbox"/> None		
HOLES:	<input type="checkbox"/> 13/16	<input checked="" type="checkbox"/> 15/16	<input type="checkbox"/> 1-1/16	<input type="checkbox"/> Unless Noted <input type="checkbox"/> As Noted <input type="checkbox"/> None	
PAINT:	<input checked="" type="checkbox"/> None	<input type="checkbox"/> Shop Coat	<input type="checkbox"/> Galv. After Fab.	<input type="checkbox"/> Unless Noted	
SPECIAL PAINT: NONE					
SPECIAL CLEANING:	<input checked="" type="checkbox"/> Blast Clean SSPC SP10	<input type="checkbox"/> None			
ITEM NO.	508.55	BRIDGE NO.	44	PROJ. NO.	BRS-RS 0113 (B)
TITLE:	GIRDER ~ G7C				
APPROVED:	PRINT DIST.	National Eastern Corporation Plainville, Connecticut			
5	10-14-96	APPR.			
ORIG	12-3-96	FAB.			
5	11-18-96	APP	JOB: U.S. ROUTE 5 OVER BLACK RIVER SPRINGFIELD, VERMONT		
0216	4-3-97	VAT			
CUSTOMER: WINTERSETT, INC.		DESIGNER: VERMONT AGENCY OF TRANSPORTATION			
CHECKED	11/96	45D	WORK ORDER NO.	DRAWING NO.	REV.
DRAWN	9/96	CSO	15713	10-27	