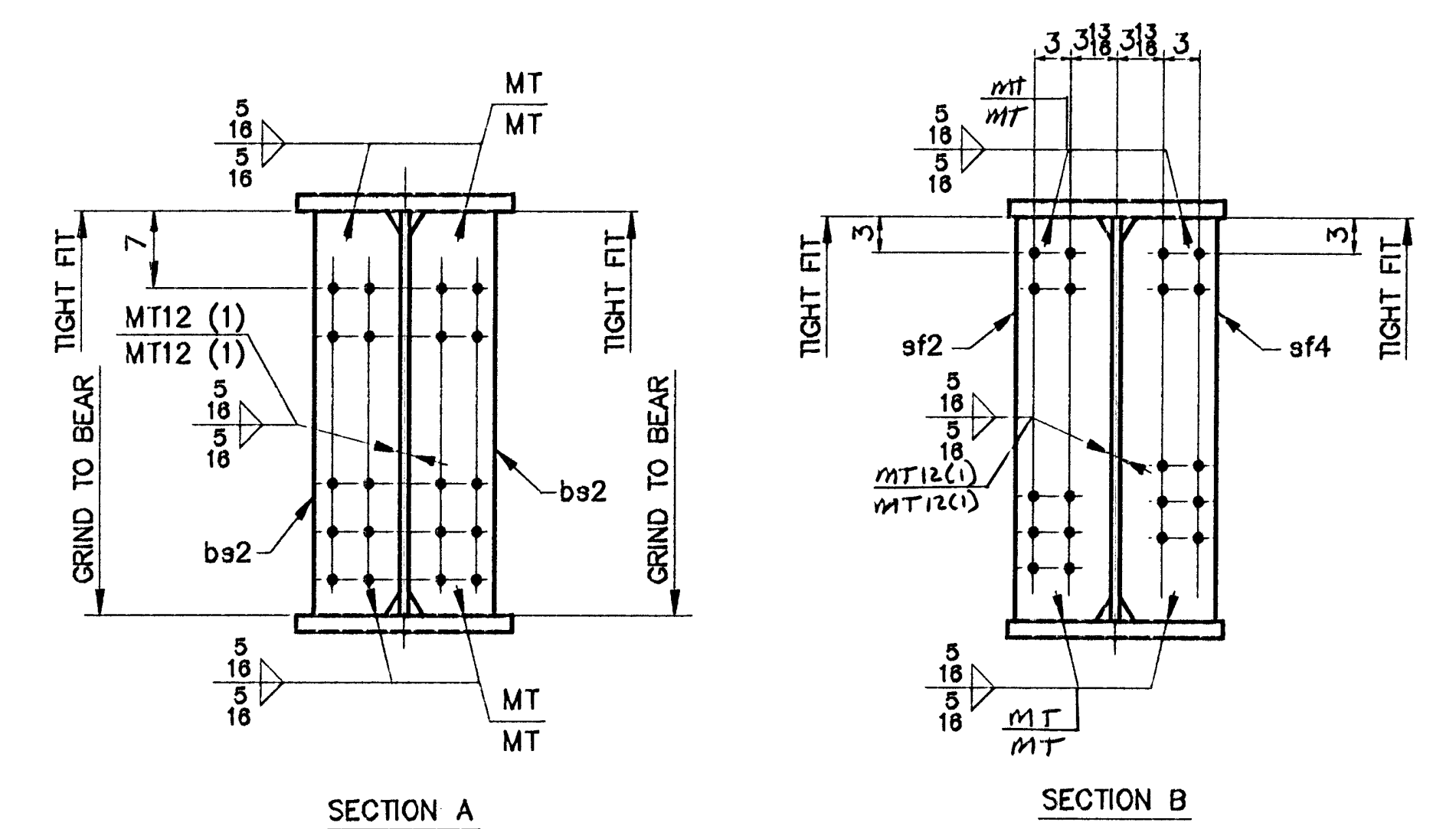


SHIP MARK		BILL OF MATERIAL				WORK ORDER NO.	DRAWING NO.	REV.
		NO.	MARK	SHAPE	LENGTH	15713	10-26	
G6C	ONE	GIRDER						
wp1	1	wp1	$\text{PL } \frac{5}{8} \times 60$	103	10 1/8	1	3224.7	(CVN)
tf1	1	tf1	$\text{PL } 1 \frac{1}{8} \times 18$	103	8 1/8	1	7149	(CVN)
bf1	1	bf1	$\text{PL } 1 \frac{1}{8} \times 18$	103	10 3/8	1	7158	(CVN)
bs2	2	bs2	$\text{PL } \frac{7}{8} \times 8 \frac{1}{2}$	5	0	2	2.53	F2E
sf2	4	sf2	$\text{PL } \frac{1}{2} \times 8$	5	0	2	2.72	F1E
sf4	4	sf4	$\text{PL } \frac{1}{2} \times 8$	5	0	2	2.72	F1E
						2835	#	



- NOTES**
1. FOR CAMBER DIAGRAM SEE DRAWING 10-6.
 2. FOR GIRDER STANDARD DETAILS SEE DRAWING 10-3.
 3. (CVN) DENOTES CHARTY TEST REQUIRED.

STEEL: ASTM A36 A572 GR. A709 GR. 50W Unless Noted

WELDING ELECTRODE: E70 See Welding Proc. None

HOLES: 13/16 15/16 1-1/16 Unless Noted As Noted None

PAINT: None Shop Coat Galv. After Fab. Unless Noted

SPECIAL PAINT: NONE

SPECIAL CLEANING: Blast Clean SSFC SP10 None

ITEM NO. 506.55 BRIDGE NO. 44 PROJ. NO. BRS-RS 0113 (8)

TITLE: GIRDER ~ G6C

APPROVED: _____

PRINT DIST. _____

ORIG 5 12-14-96 APPR. _____

5 11-23-96 FAB. _____

0216 4-2-97 VAT _____

JOB: U.S. ROUTE 5 OVER BLACK RIVER
SPRINGFIELD, VERMONT

CUSTOMER: WINTERSETT, INC.

DESIGNER: VERMONT AGENCY OF TRANSPORTATION

WORK ORDER NO. 15713 DRAWING NO. 10-26 REV. _____

CHECKED 9/96 CSD DRAWN 9/98 CSD