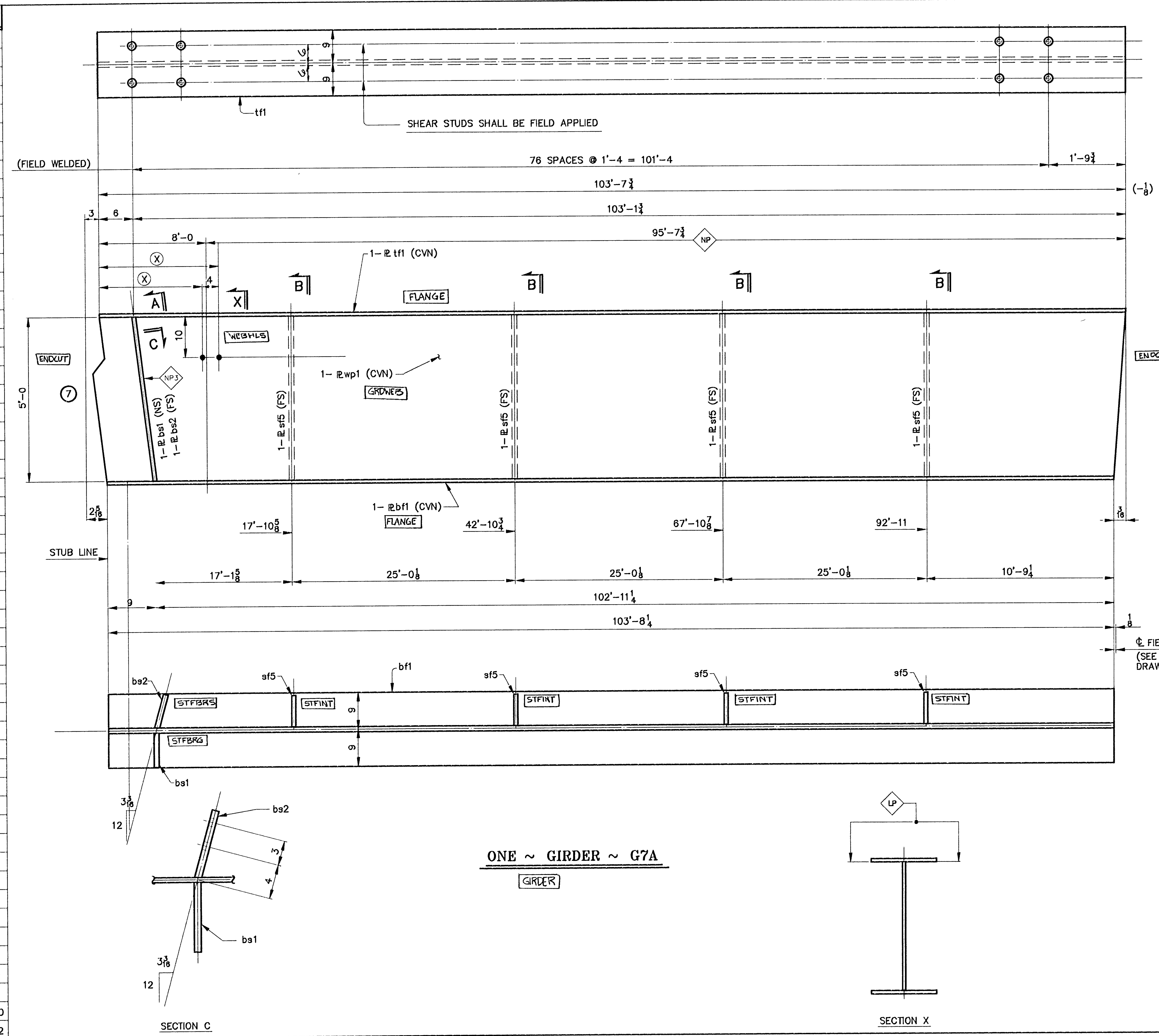
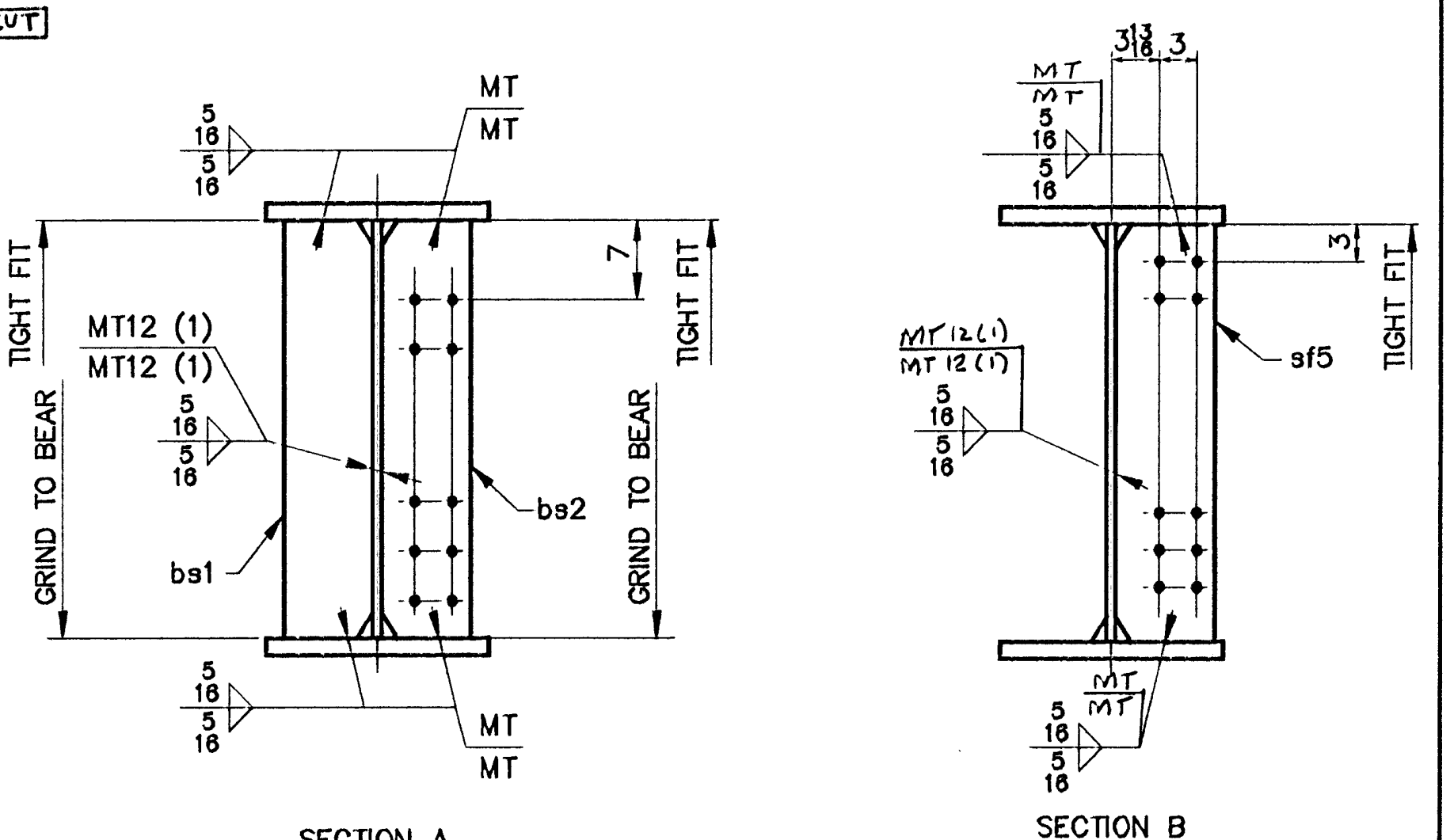


(X)
2'-10
3'-2
6'-10
7'-2
10'-10
11'-2
14'-10
15'-2
18'-10
19'-2
22'-10
23'-2
25'-10
26'-2
29'-10
30'-2
32'-10
33'-2
36'-10
37'-2
40'-10
41'-2
44'-10
45'-2
48'-10
49'-2
52'-10
53'-2
56'-10
57'-2
60'-10
61'-2
64'-10
65'-2
68'-10
69'-2
72'-10
73'-2
75'-10
76'-2
79'-10
80'-2
82'-10
83'-2
86'-10
87'-2
90'-10
91'-2
94'-10
95'-2
97'-10
98'-2
101'-10
102'-2



SHIP MARK		BILL OF MATERIAL				WORK ORDER NO.	DRAWING NO.	REV.
NO.	MARK	SHAPE	LENGTH	ITEM NO.	WT.	REMARKS	15713	10-13
G7A	ONE	GIRDER						
wp1	1	wp1	R 3/8 x 60	103	10			
tf1	1	tf1	R 1 1/8 x 18	103	7 1/2			
bfl	1	bfl	R 1 1/8 x 18	103	8 1/4			
bs1	1	bs1	R 7/8 x 8 1/2	5	0			
bs2	1	bs2	R 7/8 x 8 1/2	5	0			
sf5	4	sf5	R 1/2 x 8	5	0			



- NOTES**
- FOR CAMBER DIAGRAM SEE DRAWING 10-4.
 - FOR GIRDER STANDARD DETAILS SEE DRAWING 10-3.
 - (CVN) DENOTES CHARTY TEST REQUIRED.

STEEL: ASTM	<input type="checkbox"/> A36	<input type="checkbox"/> A572 GR	<input checked="" type="checkbox"/> A709 GR 50W	<input type="checkbox"/> Unless Noted	
WELDING ELECTRODE:	<input type="checkbox"/> E70	<input checked="" type="checkbox"/> See Welding Proc.	<input type="checkbox"/> None		
HOLES:	<input type="checkbox"/> 13/16	<input checked="" type="checkbox"/> 15/16	<input type="checkbox"/> 1-1/16	<input type="checkbox"/> Unless Noted	
PAIN:	<input type="checkbox"/> None	<input checked="" type="checkbox"/> Shop Coat	<input type="checkbox"/> Galv. After Fab.	<input checked="" type="checkbox"/> Unless Noted	
SPECIAL PAINT:	SEE SHEET 10-1				
SPECIAL CLEANING:	<input checked="" type="checkbox"/> Blast Clean SSPC SP10				
ITEM NO.	506.55	BRIDGE NO.	44	PROJ. NO.	BRS-RS 0113 (B)
TITLE: GIRDER ~ G7A					
APPROVED:	PRINT DIST.				
ORIG	5	10-18-96	APPR.		
ORIG	5	11-18-96	FAB.		
ORIG	0	12-2-97	VAT		
JOB: U.S. ROUTE 5 OVER BLACK RIVER SPRINGFIELD, VERMONT					
CUSTOMER: WINTERSETT, INC.					
DESIGNER: VERMONT AGENCY OF TRANSPORTATION					
CHECKED	10/96	CSD	WORK ORDER NO.	DRAWING NO.	REV.
DRAWN	9/96	CSD	15713	10-13	

ONE ~ GIRDER ~ G7A
GIRDER

