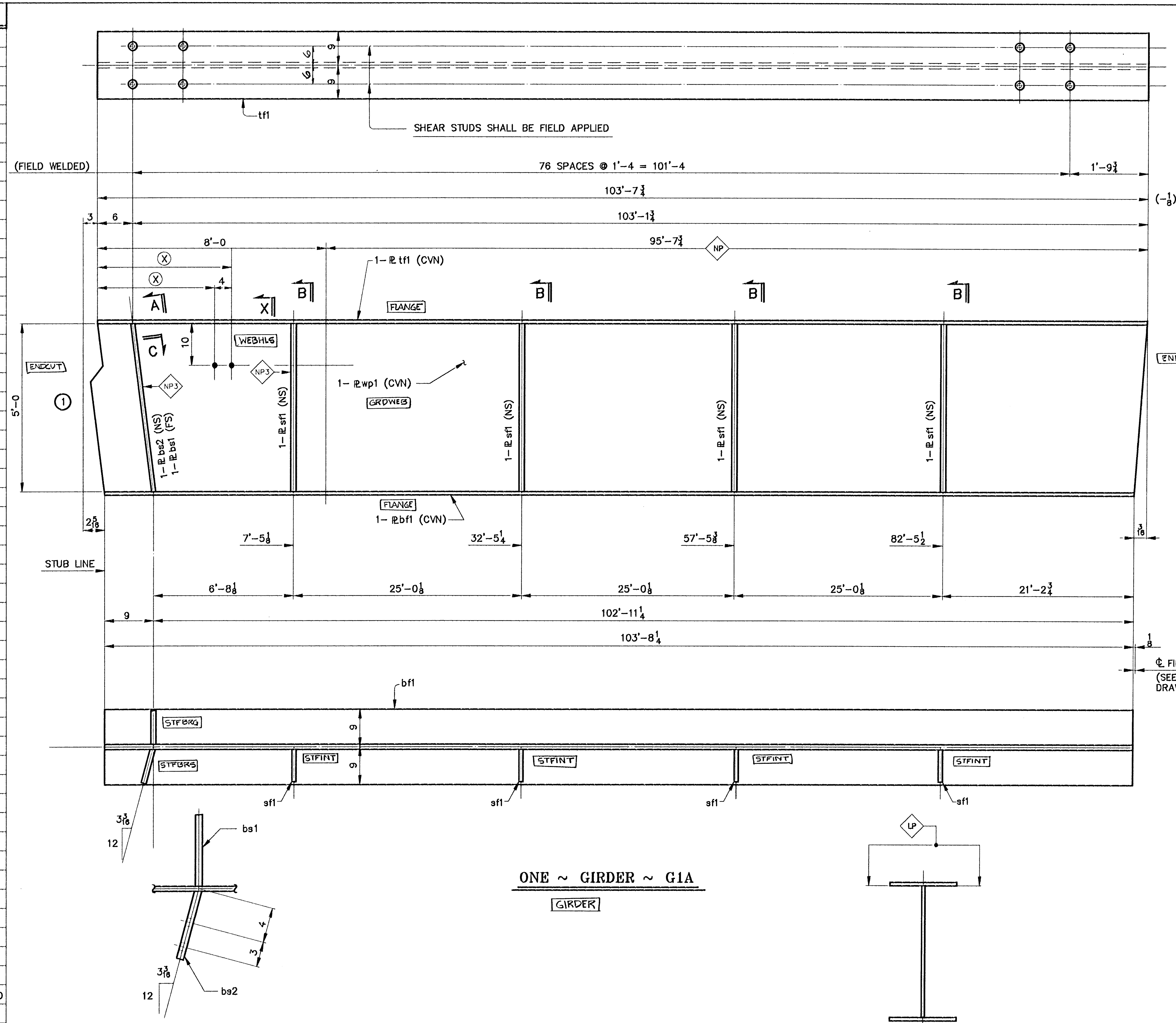
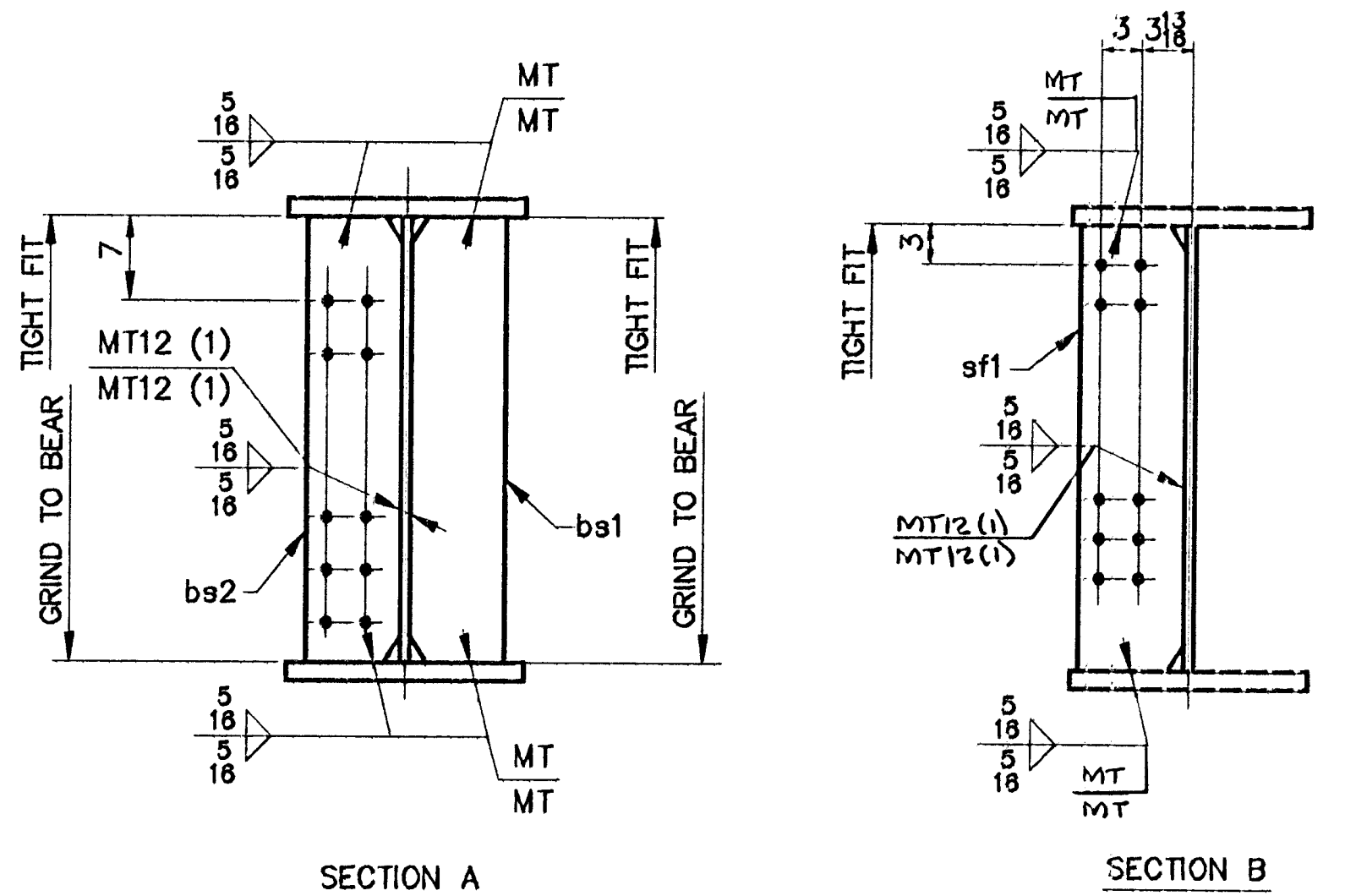


(X)
 1'-10
 2'-2
 4'-10
 5'-2
 8'-10
 9'-2
 12'-10
 13'-2
 15'-10
 16'-2
 19'-10
 20'-2
 22'-10
 23'-2
 26'-10
 27'-2
 30'-10
 31'-2
 34'-10
 35'-2
 38'-10
 39'-2
 42'-10
 43'-2
 46'-10
 47'-2
 50'-10
 51'-2
 54'-10
 55'-2
 62'-10
 63'-2
 65'-10
 66'-2
 69'-10
 70'-2
 72'-10
 73'-2
 76'-10
 77'-2
 80'-10
 81'-2
 84'-10
 85'-2
 88'-10
 89'-2
 92'-10
 93'-2
 96'-10
 97'-2
 100'-10
 101'-2



SHIP MARK		BILL OF MATERIAL				WORK ORDER NO.	DRAWING NO.	REV.
NO.	MARK	SHAPE	LENGTH	ITEM NO.	WT.	15713	10-7	
G1A ONE GIRDER								
L2-2	1	wp1	R 5/8 x 60	103	10	1	1322	(CVN)
L2-1f	1	tf1	R 1 1/8 x 18	103	7 1/2	1	7142	(CVN)
L2-B	1	bf1	R 1 1/8 x 18	103	8 1/4	1	7145	(CVN)
L2-H	1	bs1	R 7/8 x 8 1/2	5	0	2	127	F2E
L2-J	1	bs2	R 7/8 x 8 1/2	5	0	2	127	F2E
L2-G	4	sfl	R 2 x 8	5	0	2	272	F1E
						28041		



NOTES

1. FOR CAMBER DIAGRAM SEE DRAWING 10-4.
2. FOR GIRDER STANDARD DETAILS SEE DRAWING 10-3.
3. (CVN) DENOTES CHARTY TEST REQUIRED.

STEEL: ASTM A36 A572 GR A709 GR 50W Unless Noted

WELDING ELECTRODE: E70 See Welding Proc None

HOLES: 13/16 15/16 1-1/16 Unless Noted As Noted None

PAINT: None Shop Coat Galv. After Fab. Unless Noted

SPECIAL PAINT: SEE SHEET 10-1

SPECIAL CLEANING: Blast Clean SSPC SP10 None

ITEM NO. 506.55 BRIDGE NO. 44 PROJ. NO. BRS-RS 0113 (B)

TITLE: GIRDER ~ G1A

APPROVED: _____

PRINT DIST. _____

ORIG 5 10-14-90 APPR. _____

5 11-18-96 APPR. _____

02/16 4-2-97 IAT

NE National Eastern Corporation
 Plainville, Connecticut

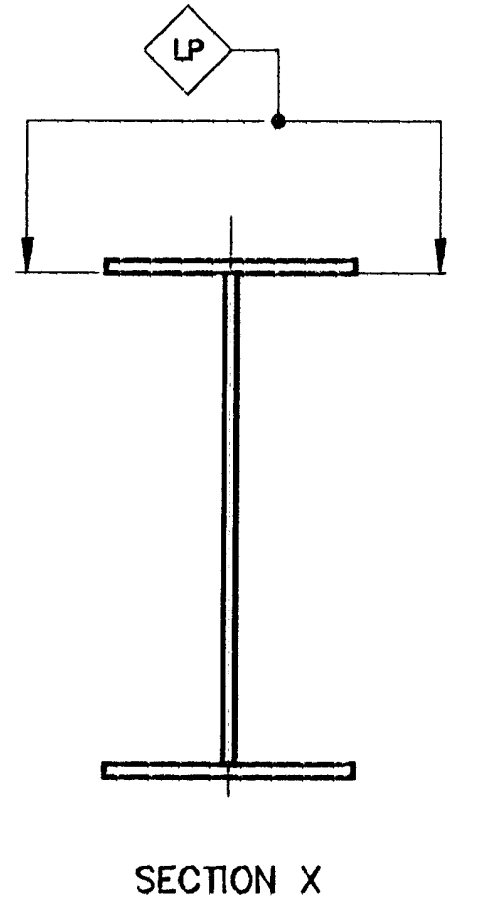
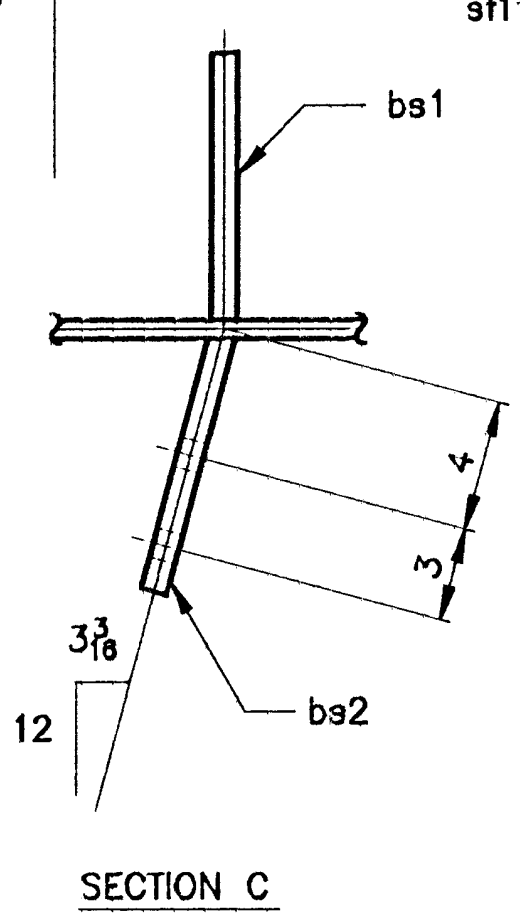
JOB: U.S. ROUTE 5 OVER BLACK RIVER
 SPRINGFIELD, VERMONT

CUSTOMER: WINTERSETT, INC.

DESIGNER: VERMONT AGENCY OF TRANSPORTATION

WORK ORDER NO. 15713 DRAWING NO. 10-7 REV. _____

CHECKED 10/96 CSD DRAWN 9/96 CSD



ONE ~ GIRDER ~ G1A
 GIRDER