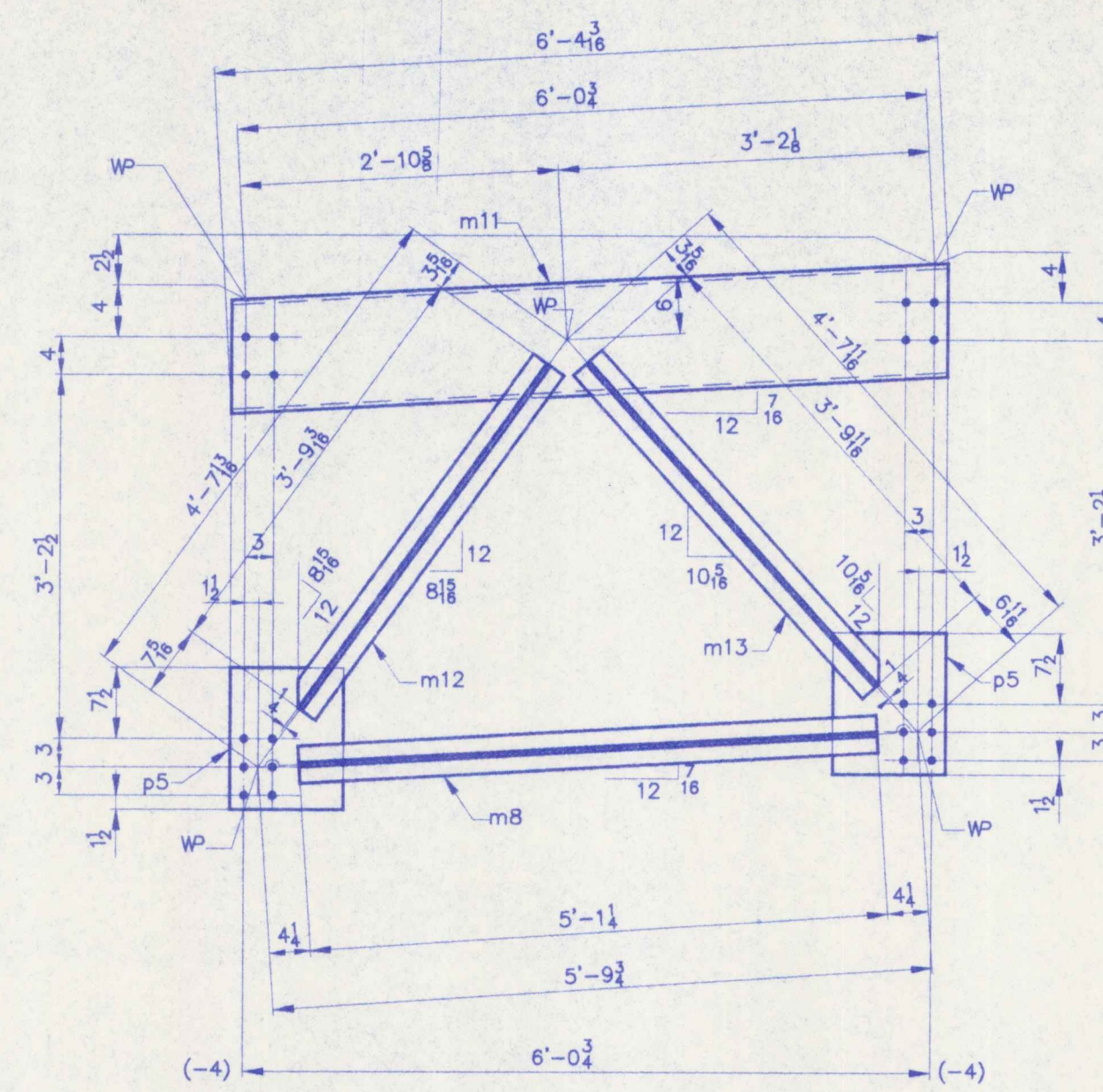
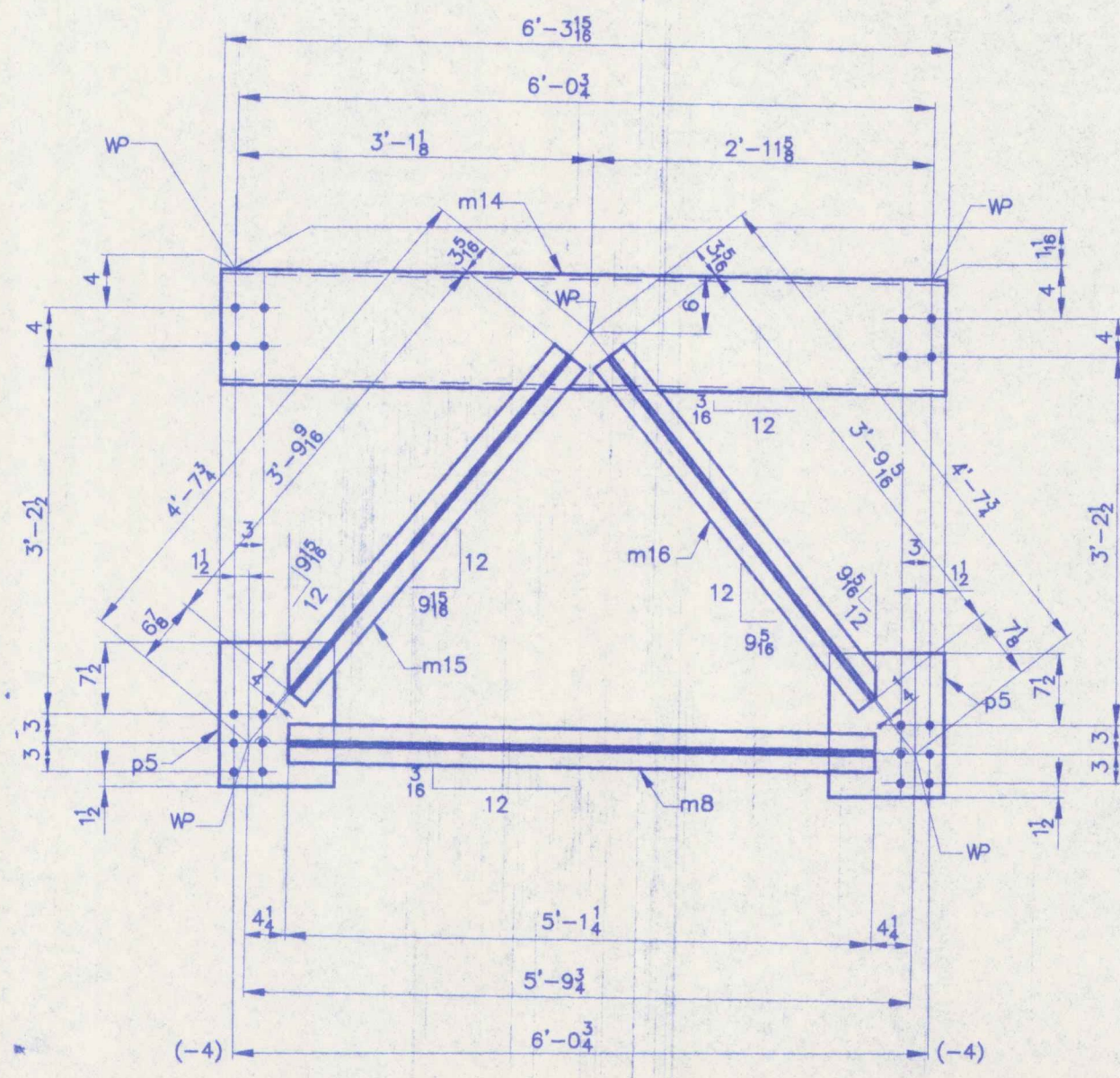


ONE ~ CROSS FRAME ~ F5 [ECFSTR]



3 ~ CROSS FRAMES ~ F7 [ECFSTR]



2 ~ CROSS FRAMES ~ F9 [ECFSTR]

No Exception Taken  Make Corrections Noted  
 Review and Resubmit  Not Applicable  
 Reviewed only for general conformance with the design concept of the project and general dimensions. The contractor shall be responsible for confirming and providing all quantities and dimensions and performing the work in a satisfactory manner.  
 McFARLAND-JOHNSON ENGINEERS, INC.  
 Date: 11/21/96 BY: JAC

BILL OF MATERIALS			
SHIP MARK	NO.	MARK	SHAPE
F5	ONE		CROSS FRAME
	1	m7	C12 x 25
	1	m8	WT 5 x 9.5
	1	m9	WT 5 x 9.5
	1	m10	WT 5 x 9.5
	2	p5	PL 1/2 x 12
F7	3		CROSS FRAME
	3	m11	C12 x 25
	3	m8	WT 5 x 9.5
	3	m12	WT 5 x 9.5
	3	m13	WT 5 x 9.5
	6	p5	PL 1/2 x 12
F9	2		CROSS FRAME
	2	m14	C12 x 25
	2	m8	WT 5 x 9.5
	2	m15	WT 5 x 9.5
	2	m16	WT 5 x 9.5
	4	p5	PL 1/2 x 12

STEEL: ASTM  A36  A572

WELDING ELECTRODE:  E70T1  E70T2

HOLES:  13/16  15/16

PAINT:  None  Other

SPECIAL PAINT: NONE

SPECIAL CLEANING:  Blast  Other

ITEM NO. 506.55 BRIDGE

TITLE: CROSS FRAME

APPROVED:

PRINT DIST. [Signature]

5 10/29/96 APPR. [Signature]

5 11/23/96 FAB. [Signature]

5 11/18/96 APP. [Signature]

CHECKED: 10/19/96 JH

DRAWN: 9/96 CSD

\* NO WELD FOR WELD TYP