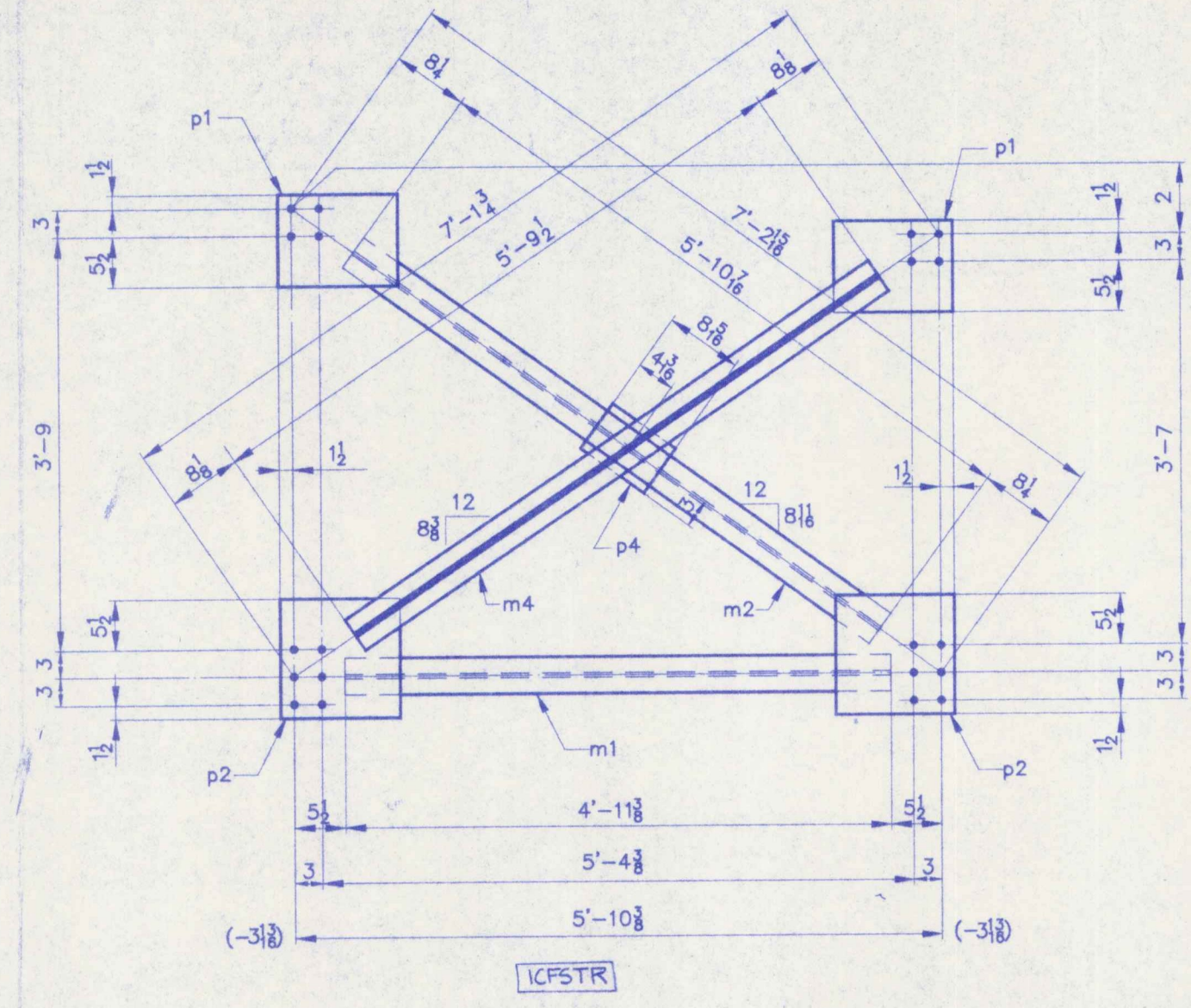
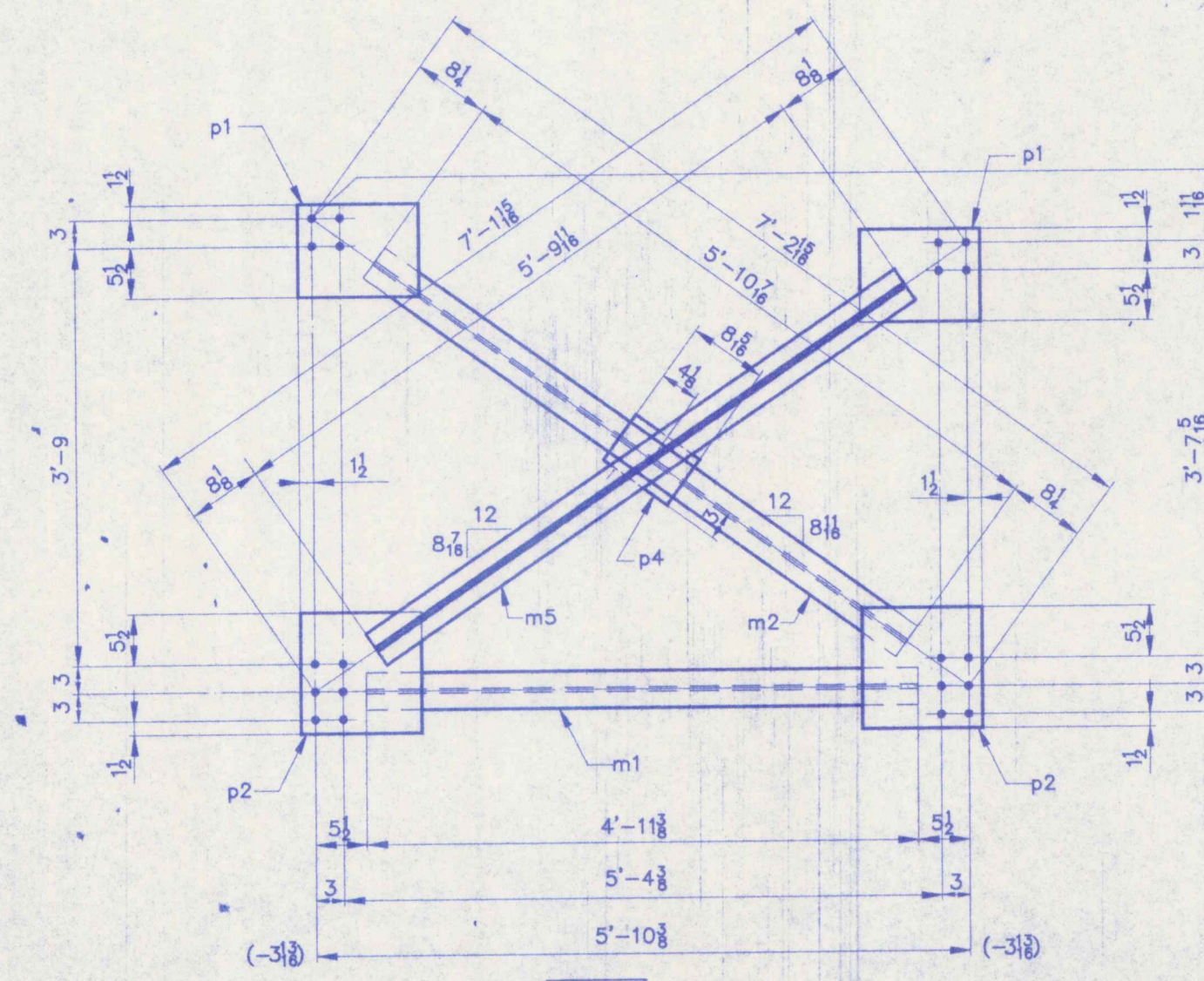


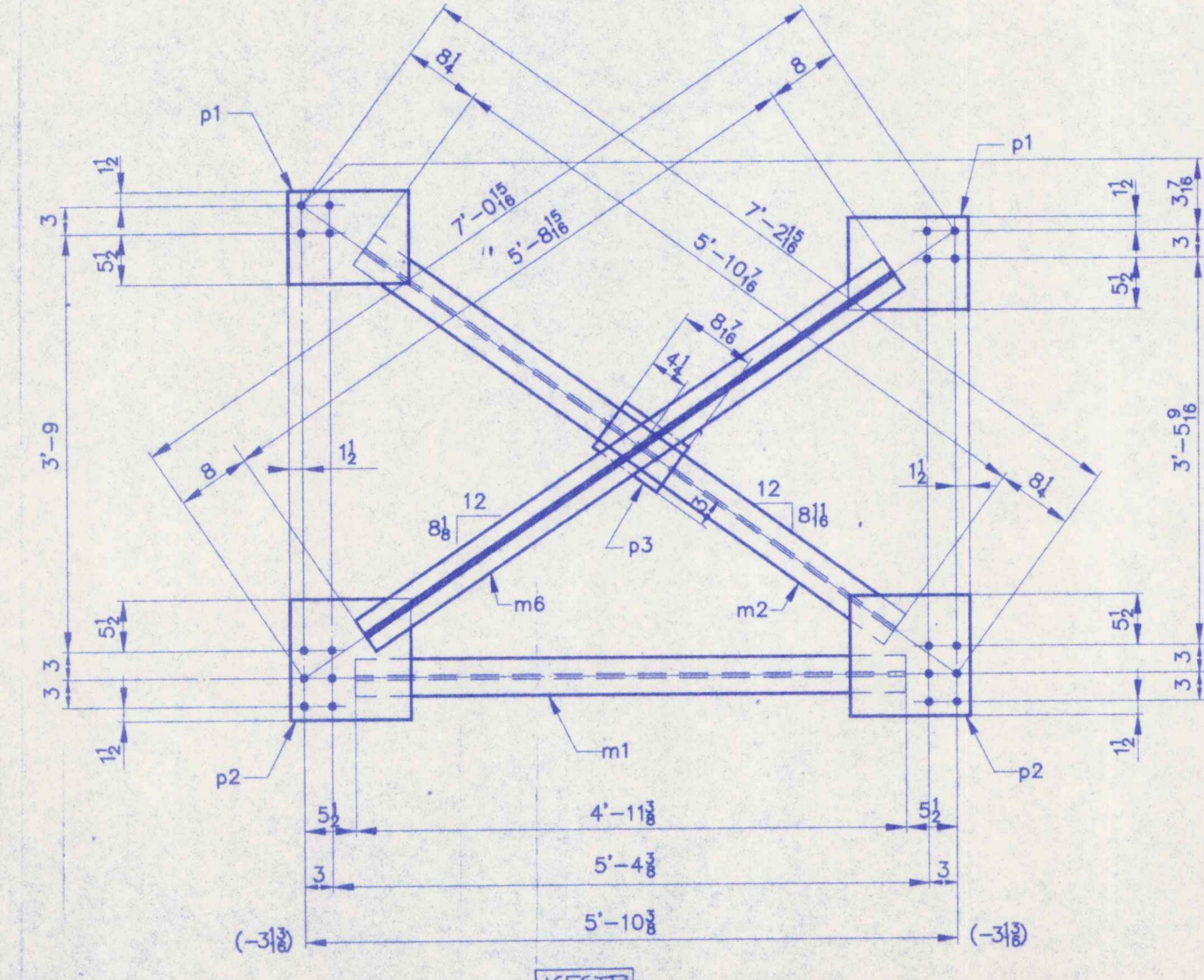
12 ~ CROSS FRAMES ~ F1



12 ~ CROSS FRAMES ~ F2



36 ~ CROSS FRAMES ~ F3



12 ~ CROSS FRAMES ~ F4

SHIP MARK	NO
F1	12
	12
	12
	12
	24
	12
	12
F2	12
	12
	12
	12
	24
	12
	12
F3	36
	36
	36
	36
	72
	36
F4	12
	12
	12
	12
	24
	12

No Exception Taken
 Minor Corrections
 Review and Rebuild
 Not Acceptable
 Reviewed only for general conformance with the
 content of the contract and general compliance. It
 is not intended to constitute an approval or
 warranty. It is the responsibility of the contractor
 to ensure that all work is performed in
 accordance with the contract and applicable
 specifications.

Date: 12/14/94 by: SPS

APPROVED	DATE
PS	5/7/94
ORIG	5/7/94
DRWN	