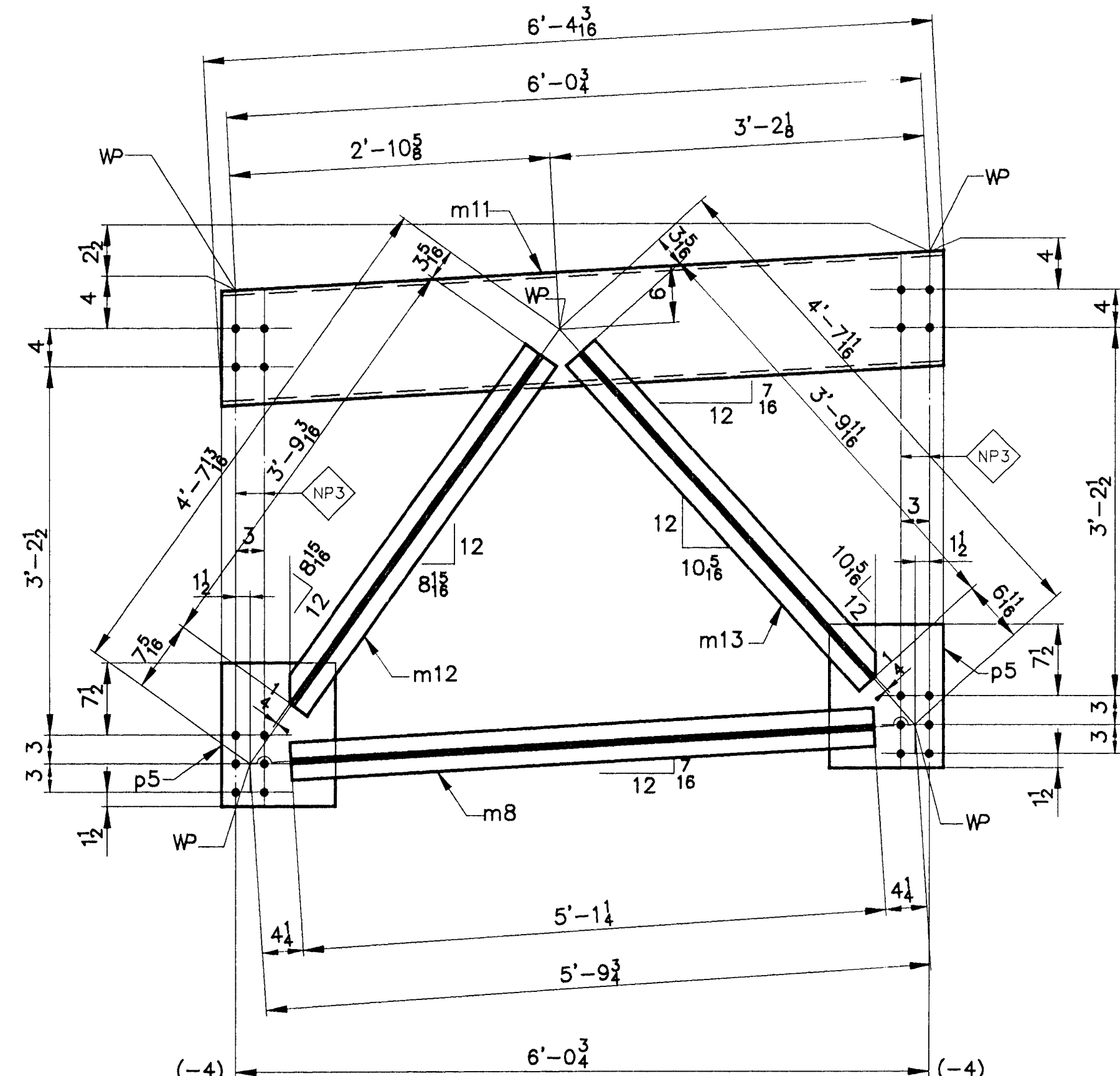
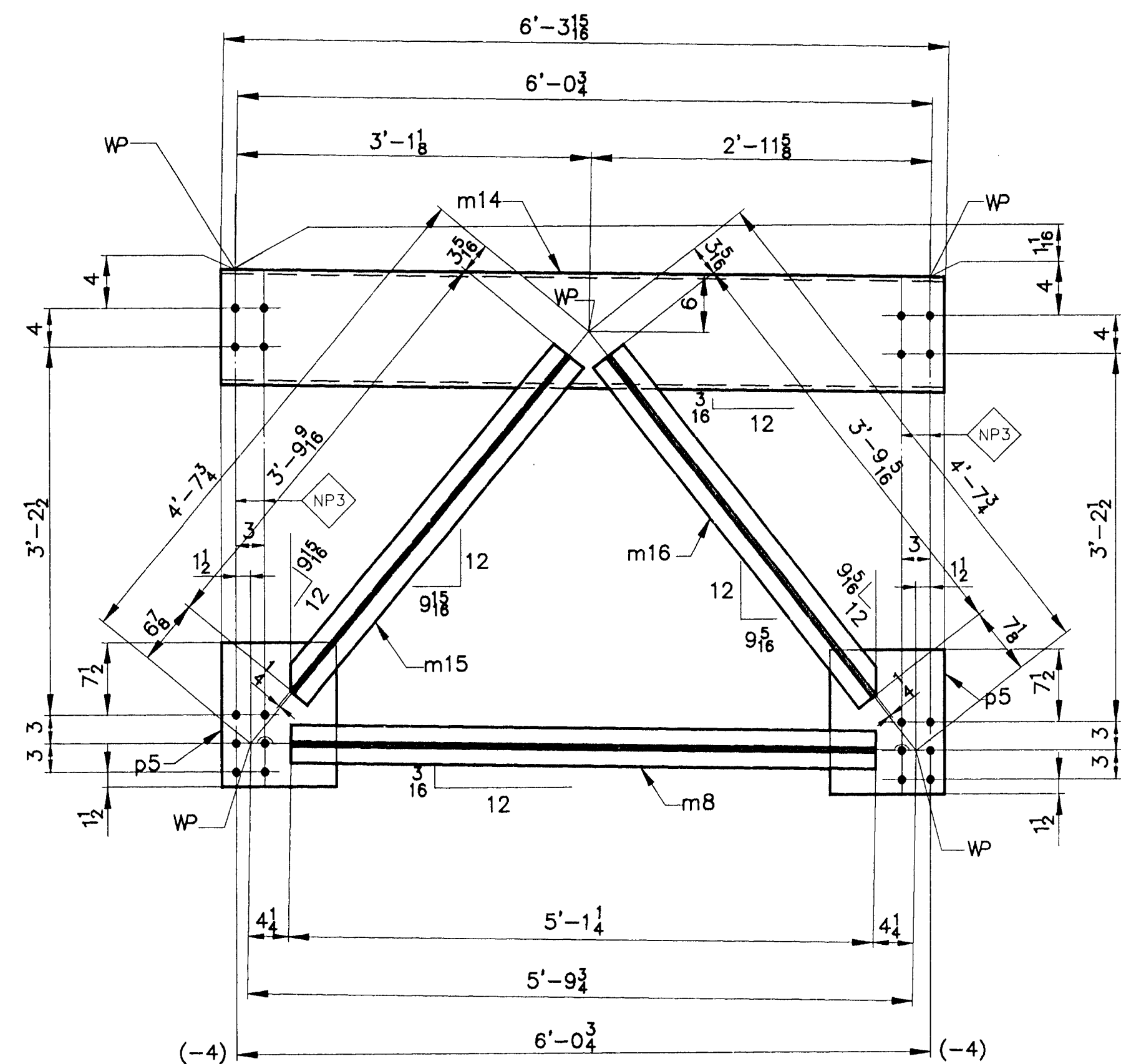


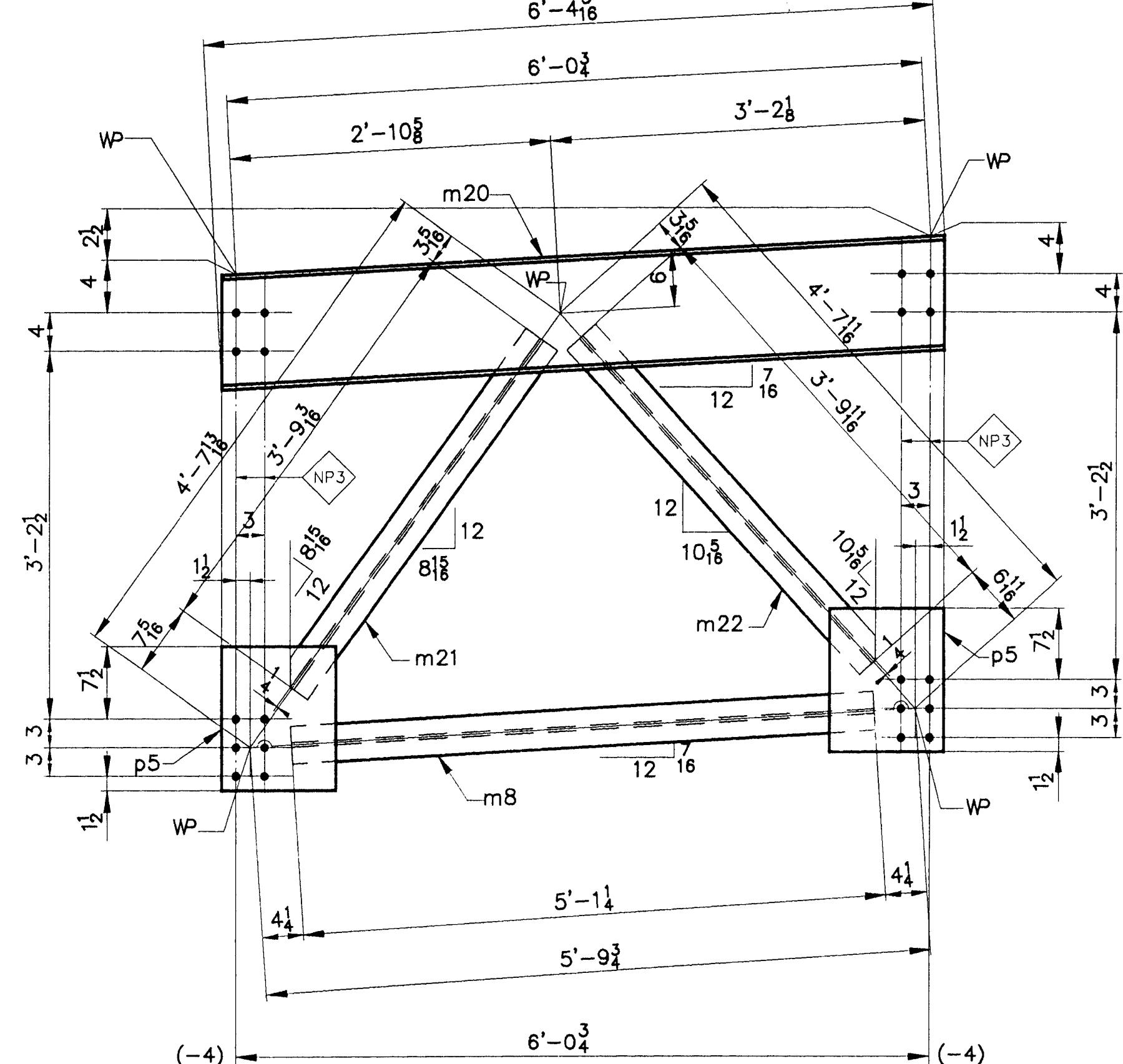
ONE ~ CROSS FRAME ~ F11 [ECFSTR]



2 ~ CROSS FRAMES ~ F12 [ECFSTR]



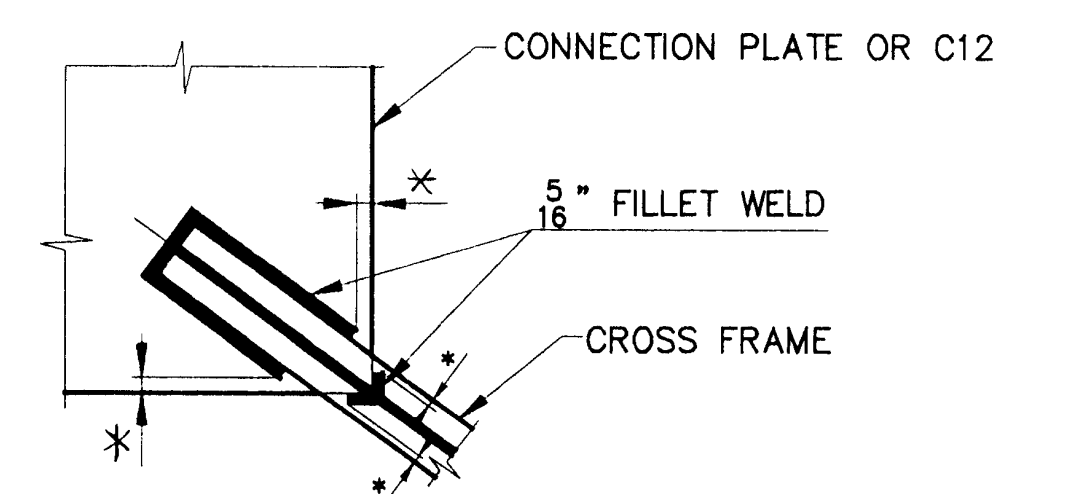
2 ~ CROSS FRAMES ~ F13 [ECFSTR]



ONE ~ CROSS FRAME ~ F14 [ECFSTR]

SHIP MARK		BILL OF MATERIAL				WORK ORDER NO.	DRAWING NO.	REV.	
NO.	MARK	SHAPE	LENGTH	ITEM NO.	WT.	REMARKS	15713	20-4	
<b>F11 ONE CROSS FRAMES</b>									
LOT-4	1	m7	C12 x 25	6	4 1/2	5 1/2	2	3	159
L-4-A	1	m8	WT 5 x 9.5	5	1 1/4	5 1/2	2	4	48 1/2 W10X19
	1	m9	WT 5 x 9.5	3	8 15/16	5 1/2	2	5	36
	1	m10	WT 5 x 9.5	3	9 15/16	5 1/2	2	5	36
L-4-B	2	p5	R 1/2 x 12	1	3	5 1/2	2	6	51 1/2 R
<b>F12 2 CROSS FRAMES</b>									
LOT-4	2	m11	C12 x 25	6	4 3/8	5 1/2	2	3	317
L-4-A	2	m8	WT 5 x 9.5	5	1 1/4	5 1/2	2	4	97 1/2 W10X19
	2	m12	WT 5 x 9.5	3	9 1/8	5 1/2	2	5	72
	2	m13	WT 5 x 9.5	3	9 11/16	5 1/2	2	5	72
L-4-B	4	p5	R 1/2 x 12	1	3	5 1/2	2	6	102 1/2 R
<b>F13 2 CROSS FRAMES</b>									
LOT-4	2	m14	C12 x 25	6	3 15/16	5 1/2	2	3	316
L-4-A	2	m8	WT 5 x 9.5	5	1 1/4	5 1/2	2	4	97 1/2 W10X19
	2	m15	WT 5 x 9.5	3	9 9/16	5 1/2	2	5	72
	2	m16	WT 5 x 9.5	3	9 1/8	5 1/2	2	5	72
L-4-B	4	p5	R 1/2 x 12	1	3	5 1/2	2	6	102 1/2 R
<b>F14 ONE CROSS FRAME</b>									
LOT-4	1	m20	C12 x 25	6	4 3/8	5 1/2	2	3	159
L-4-A	1	m8	WT 5 x 9.5	5	1 1/4	5 1/2	2	4	48 1/2 W10X19
	1	m21	WT 5 x 9.5	3	9 3/8	5 1/2	2	5	36
	1	m22	WT 5 x 9.5	3	9 11/16	5 1/2	2	5	36
L-4-B	2	p5	R 1/2 x 12	1	3	5 1/2	2	6	51 1/2 R

1979 #



\* NO WELD FOR 1/4" MIN., 1/2" MAX.

WELD TERMINATION DETAIL

STEEL: ASTM	<input type="checkbox"/> A36	<input type="checkbox"/> A572 GR.	<input checked="" type="checkbox"/> A709 GR. 50W	<input type="checkbox"/> Unless Noted	
WELDING ELECTRODE:	<input type="checkbox"/> E70	<input checked="" type="checkbox"/> See Welding Proc.	<input type="checkbox"/> None	<input type="checkbox"/>	
HOLES:	<input type="checkbox"/> 13/16	<input checked="" type="checkbox"/> 15/16	<input type="checkbox"/> 1-1/16	<input type="checkbox"/> Unless Noted	
PAIN:	<input type="checkbox"/> None	<input checked="" type="checkbox"/> Shop Coat	<input type="checkbox"/> Galv. After Fab.	<input checked="" type="checkbox"/> Unless Noted	
SPECIAL PAINT:	SEE SHEET 10-1				
SPECIAL CLEANING:	<input checked="" type="checkbox"/> Blast Clean - SSPC SP10				
ITEM NO.	506.55	BRIDGE NO.	44	PROJ. NO.	BRS-RS 0113 (8)
TITLE: CROSS FRAMES					
APPROVED:	PRINT DIST.				
5	10-14-96	APPR.	National Eastern Corporation		
ORIG	12-3-96	FAB.	Plainville, Connecticut		
5	11-18-96	APP	JOB: U.S. ROUTE 5 OVER BLACK RIVER		
ORIG	4-3-97	VAT	SPRINGFIELD, VERMONT		
CUSTOMER: WINTERSETT, INC.					
DESIGNER: VERMONT AGENCY OF TRANSPORTATION					
CHECKED	10/96	JH	WORK ORDER NO.	DRAWING NO.	REV.
DRAWN	9/96	CSD	15713	20-4	