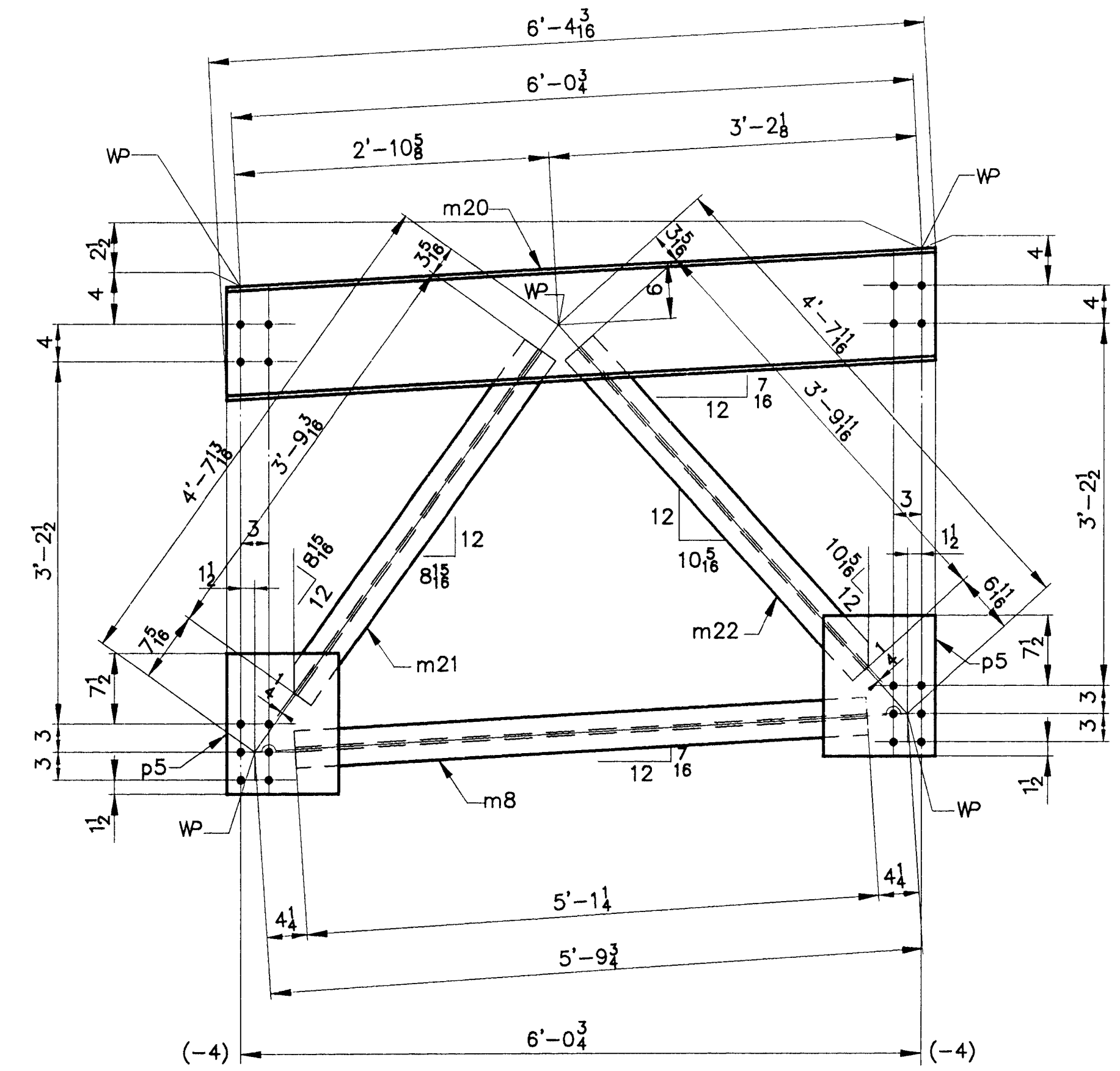
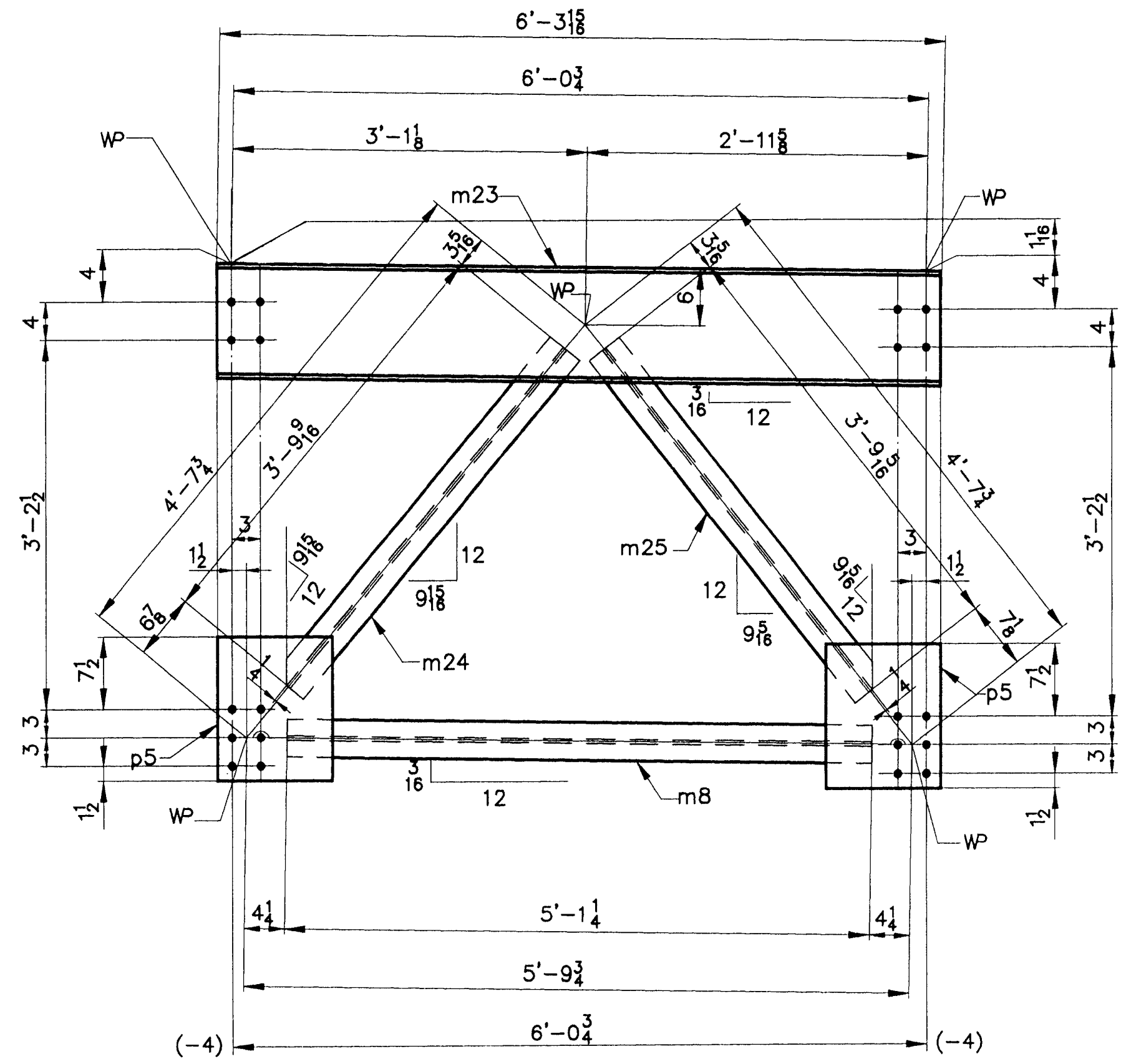


ONE ~ CROSS FRAME ~ F6 [ECFSTR]



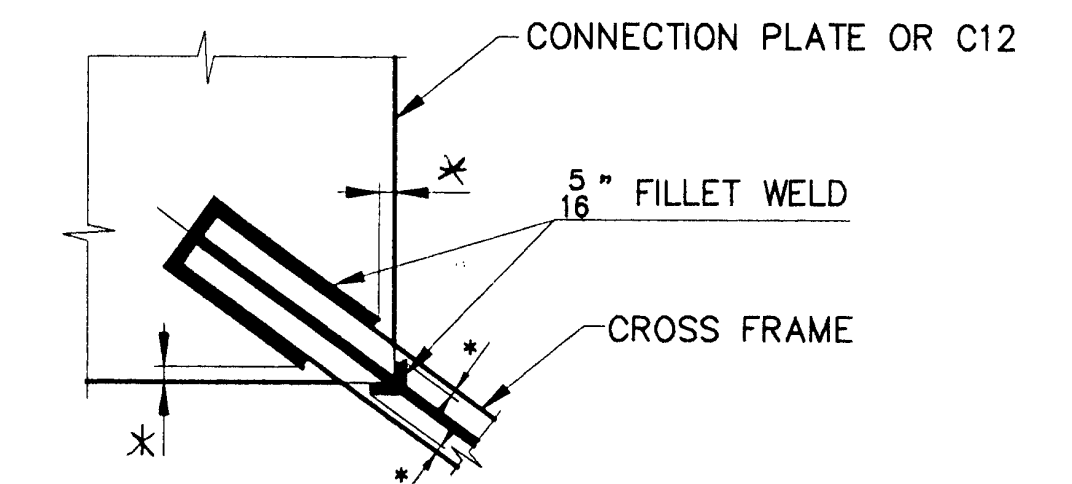
3 ~ CROSS FRAMES ~ F8 [ECFSTR]



2 ~ CROSS FRAMES ~ F10 [ECFSTR]

SHIP MARK		BILL OF MATERIAL				WORK ORDER NO.	DRAWING NO.	RE.
						15713	20-3	
NO.	MARK	SHAPE	LENGTH	WT.	REMARKS			
F6 ONE CROSS FRAMES								
Lot-4	1	m17	C12 x 25	6	4 1/2	5/16	2	3 159
L-4-H	1	m8	WT 5 x 9.5	5	1 1/4	5/16	2	4 48 1/2 W10 x 14.9
	1	m18	WT 5 x 9.5	3	8 15/16		2	5 36
	1	m19	WT 5 x 9.5	3	9 15/16		2	5 36
L-4-B	2	p5	R 1/2 x 12	1	3	5/16	2	6 51 1/2 R
F8 3 CROSS FRAMES								
Lot-4	3	m20	C12 x 25	6	4 3/8	5/16	2	3 470
L-4-H	3	m8	WT 5 x 9.5	5	1 1/4	5/16	2	4 145 1/2 W10 x 14.9
	3	m21	WT 5 x 9.5	3	9 3/8		2	5 107
	3	m22	WT 5 x 9.5	3	9 11/16		2	5 109
L-4-B	6	p5	R 1/2 x 12	1	3	5/16	2	6 153 1/2 R
F10 2 CROSS FRAMES								
Lot-4	2	m23	C12 x 25	6	3 15/16	5/16	2	3 316
L-4-H	2	m8	WT 5 x 9.5	5	1 1/4	5/16	2	4 97 1/2 W10 x 14.9
	2	m24	WT 5 x 9.5	3	9 9/16		2	5 72
	2	m25	WT 5 x 9.5	3	9 1/16		2	5 72
L-4-B	4	p5	R 1/2 x 12	1	3	5/16	2	6 102 1/2 R

1979 #



\* NO WELD FOR 1/4" MIN., 1/2" MAX.  
WELD TERMINATION DETAIL

STEEL: ASTM  A36  A572 GR.  A709 GR. 50W  Unless Noted

WELDING ELECTRODE:  E70  See Welding Proc.  None

HOLES:  13/16  15/16  1-1/16  Unless Noted  As Noted  None

PAINT:  None  Shop Coat  Galv. After Fab.  Unless Noted

SPECIAL PAINT: NONE

SPECIAL CLEANING:  Blast Clean SSPC SP10  None

ITEM NO. 506.55 BRIDGE NO. 44 PROJ. NO. BRS-RS 0113 (8)

TITLE: CROSS FRAMES

APPROVED: \_\_\_\_\_

PRINT DIST. \_\_\_\_\_

ORIG 10-4-96 APPR. \_\_\_\_\_

5 12-3-96 FAB. \_\_\_\_\_

5 11-13-96 APP \_\_\_\_\_

ORIG 4-2-97 VLT \_\_\_\_\_

JOB: U.S. ROUTE 5 OVER BLACK RIVER  
SPRINGFIELD, VERMONT

CUSTOMER: WINTERSETT, INC.

DESIGNER: VERMONT AGENCY OF TRANSPORTATION

CHECKED 10/96 J4

DRAWN 9/96 CSD

WORK ORDER NO. 15713 DRAWING NO. 20-3 REV.