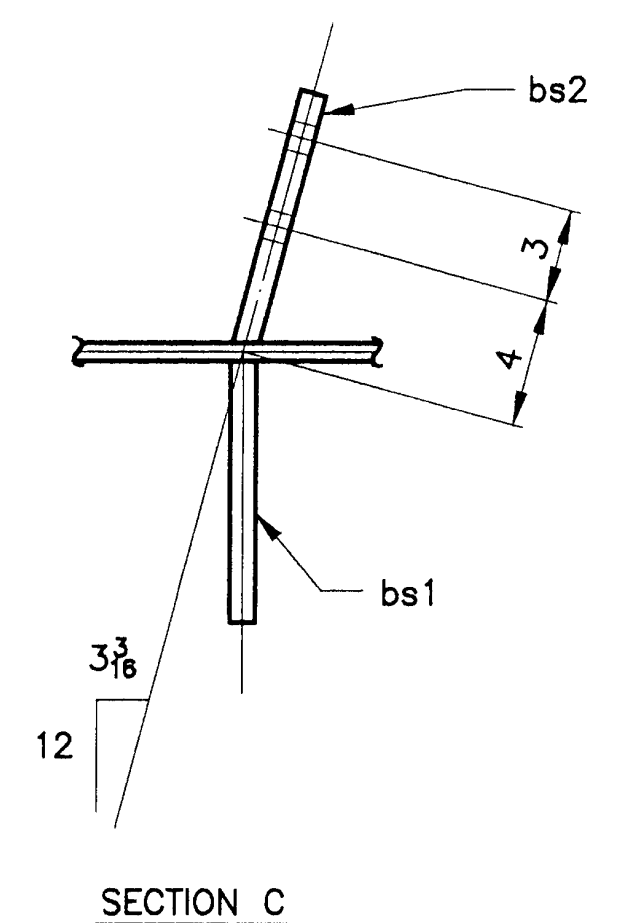
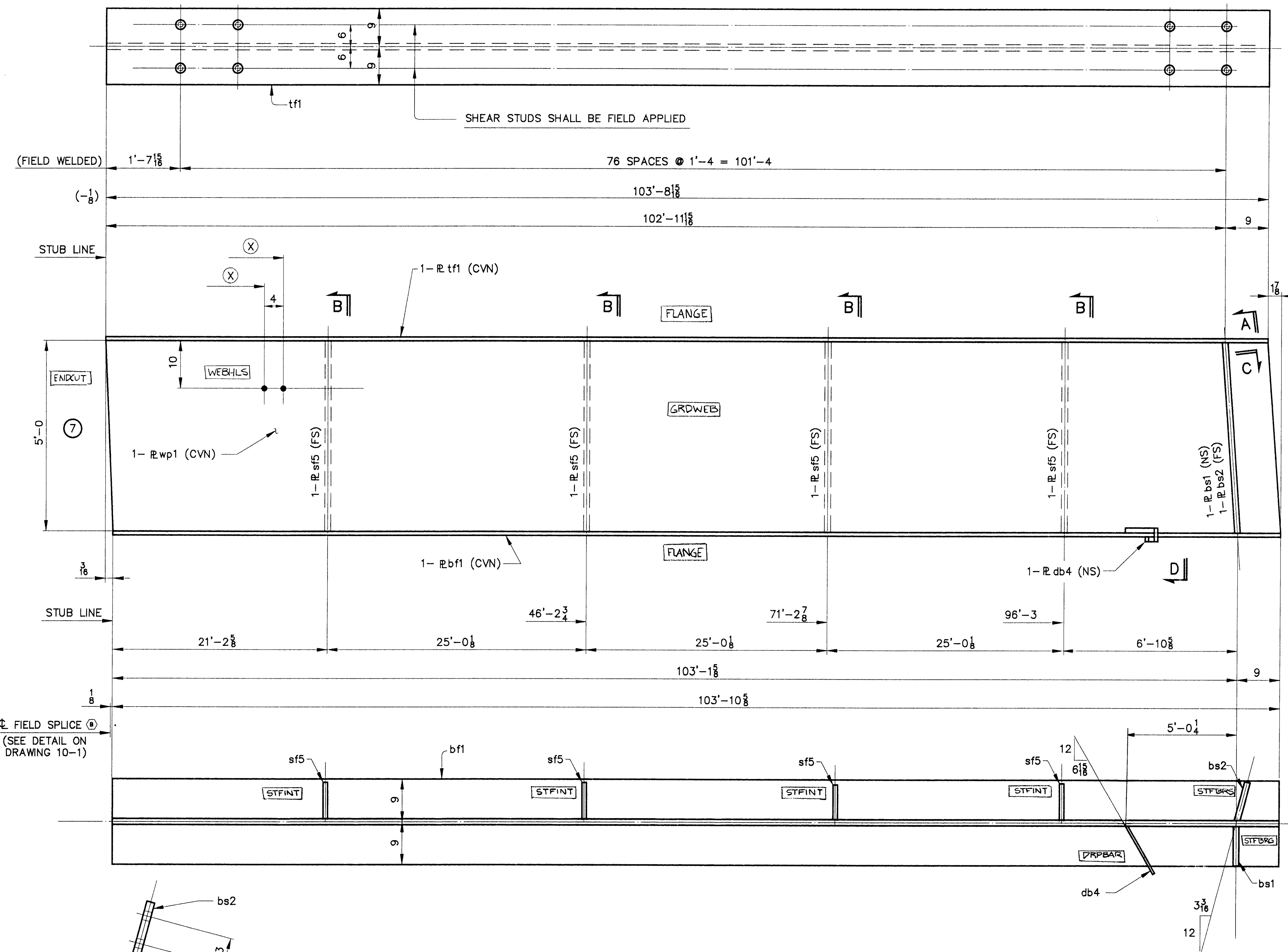
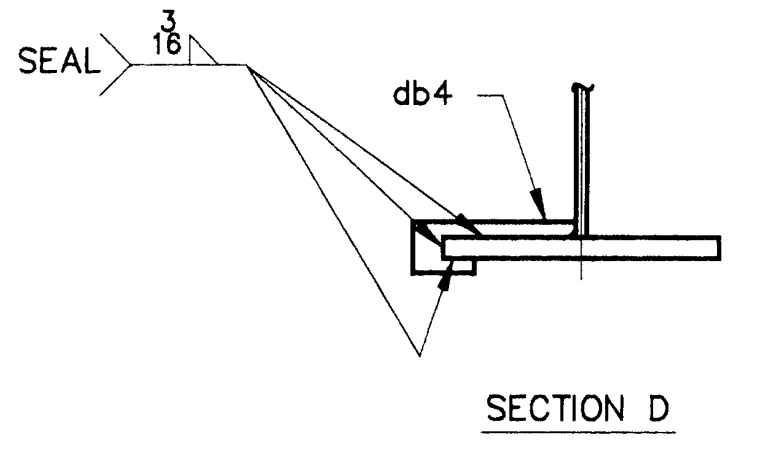


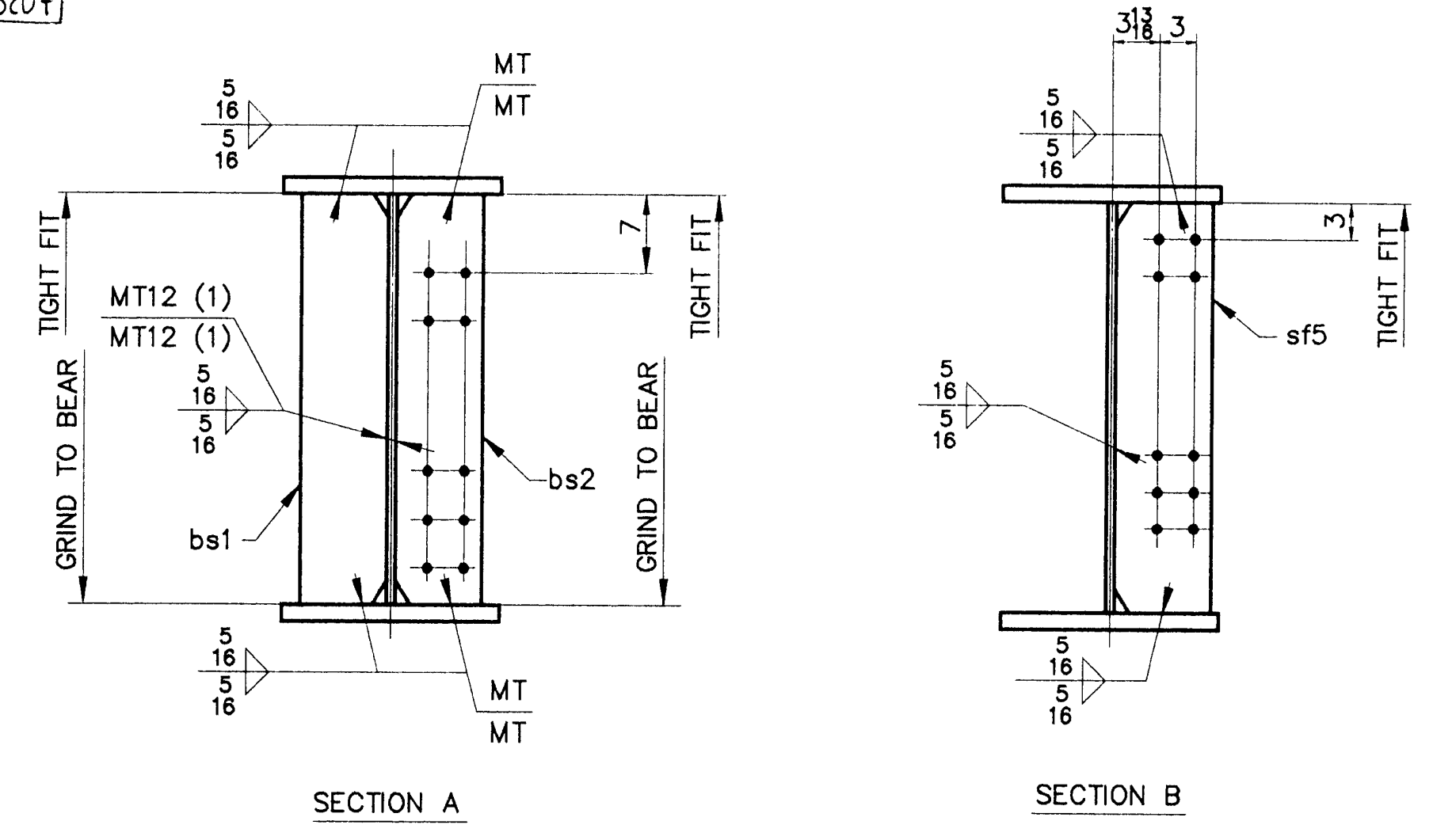
(X)
3'-0 $\frac{1}{8}$
3'-4 $\frac{1}{8}$
6'-10
7'-2
10'-10
11'-2
14'-10
15'-2
18'-10
19'-2
21'-10
22'-2
25'-10
26'-2
29'-10
30'-2
33'-10
34'-2
37'-10
38'-2
41'-10
42'-2
44'-10 $\frac{1}{8}$
45'-2 $\frac{1}{8}$
48'-10 $\frac{1}{8}$
49'-2 $\frac{1}{8}$
52'-10 $\frac{1}{8}$
53'-2 $\frac{1}{8}$
56'-10 $\frac{1}{8}$
57'-2 $\frac{1}{8}$
60'-10 $\frac{1}{8}$
61'-2 $\frac{1}{8}$
64'-10 $\frac{1}{8}$
65'-2 $\frac{1}{8}$
68'-10 $\frac{1}{8}$
69'-2 $\frac{1}{8}$
72'-1 $\frac{1}{8}$
72'-5 $\frac{1}{8}$
76'-1 $\frac{1}{8}$
76'-5 $\frac{1}{8}$
80'-1 $\frac{1}{8}$
80'-5 $\frac{1}{8}$
84'-1 $\frac{1}{8}$
84'-5 $\frac{1}{8}$
88'-1 $\frac{1}{8}$
88'-5 $\frac{1}{8}$
92'-1 $\frac{1}{8}$
92'-5 $\frac{1}{8}$
95'-1 $\frac{1}{4}$
95'-5 $\frac{1}{4}$
98'-1 $\frac{1}{4}$
98'-5 $\frac{1}{4}$
101'-1 $\frac{1}{4}$
101'-5 $\frac{1}{4}$



ONE ~ GIRDER ~ G7C  
GIRDER



SHIP MARK		BILL OF MATERIAL				WORK ORDER NO.	DRAWING NO.	REV.
		NO.	MARK	SHAPE	LENGTH	15713	10-27	
		ITEM NO.	WT.	REMARKS				
G7C	ONE	GIRDER						
L-2-L	1	wp1	R 5/8 x 60	103	10 1/8	1	3	1327 (CVN)
L-2-H	1	tf1	R 1 1/8 x 18	103	8 1/8	1	9	7149 (CVN)
L-2-B	1	bf1	R 1 1/8 x 18	103	10 5/8	1	5	7158 (CVN)
L-2-J	1	bs1	R 7/8 x 8 1/2	5	0	2	1	127 F2E
L-2-J	1	bs2	R 7/8 x 8 1/2	5	0	2	1	127 F2E
L-2-F	4	sf5	R 1/2 x 8	5	0	2	2	272 F1E
L-2-K	1	db4	R 1/4 x 3 1/8	1	0 1/8	2	13	3



- NOTES
1. FOR CAMBER DIAGRAM SEE DRAWING 10-6.
  2. FOR GIRDER STANDARD DETAILS SEE DRAWING 10-3.
  3. (CVN) DENOTES CHARPY TEST REQUIRED.

STEEL: ASTM	<input type="checkbox"/> A36	<input type="checkbox"/> A572 GR.	<input checked="" type="checkbox"/> A709 GR. 50W	<input type="checkbox"/> Unless Noted	
WELDING ELECTRODE:	<input type="checkbox"/> E70	<input checked="" type="checkbox"/> See Welding Proc.	<input type="checkbox"/> None		
HOLES:	<input type="checkbox"/> 13/16	<input checked="" type="checkbox"/> 15/16	<input type="checkbox"/> 1-1/16	<input type="checkbox"/> As Noted	
PAINT:	<input checked="" type="checkbox"/> None	<input type="checkbox"/> Shop Coat	<input type="checkbox"/> Galv. After Fab.	<input type="checkbox"/> Unless Noted	
SPECIAL PAINT: NONE					
SPECIAL CLEANING:	<input checked="" type="checkbox"/> Blast Clean SSPC SP10	<input type="checkbox"/> None			
ITEM NO.	506.55	BRIDGE NO.	44	PROJ. NO.	BRS-RS 0113 (B)
TITLE:	GIRDER ~ G7C				
APPROVED:					
PRINT DIST.					
ORIG	5 10-14-96	APP.	National Eastern Corporation Plainville, Connecticut		
ORIG	12-3-96	FAB.			
ORIG	5 11-18-96	APP.	JOB: U.S. ROUTE 5 OVER BLACK RIVER SPRINGFIELD, VERMONT		
ORIG	01-16-97	VAT			
CUSTOMER:	WINTERSSETT, INC.				
DESIGNER:	VERMONT AGENCY OF TRANSPORTATION				
WORK ORDER NO.	15713	DRAWING NO.	10-27	REV.	
CHECKED	11/96	CSD			
DRAWN	9/96	CSD			