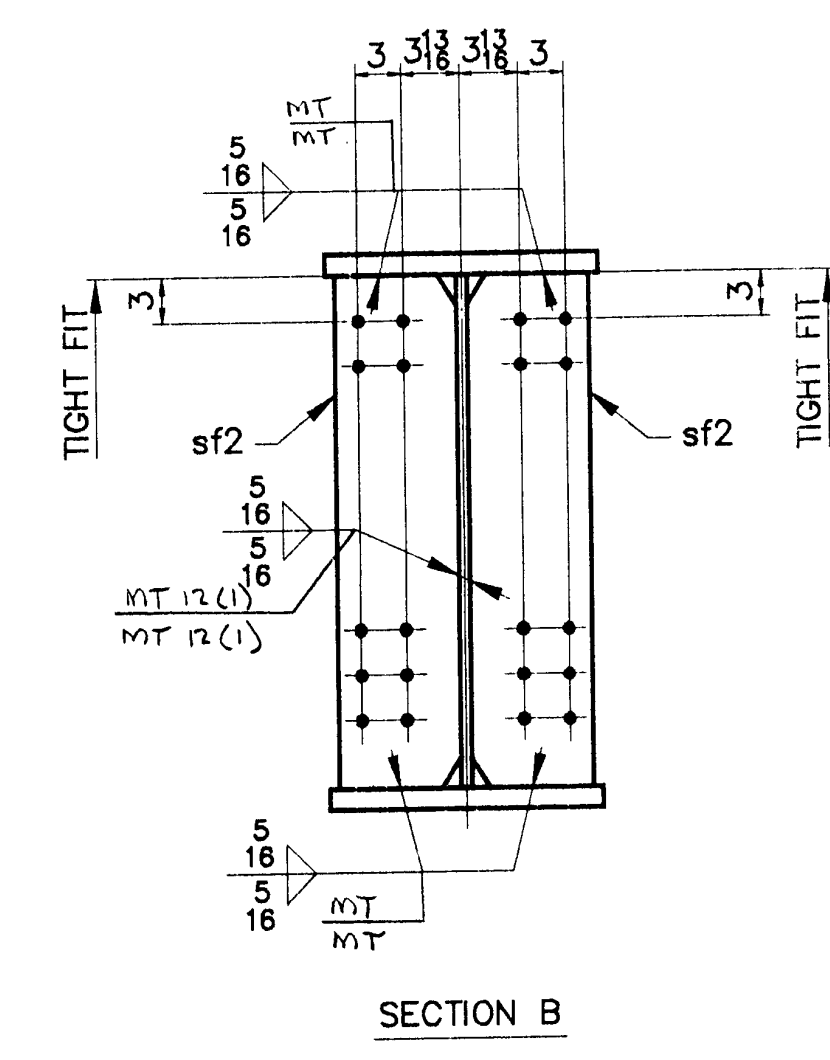
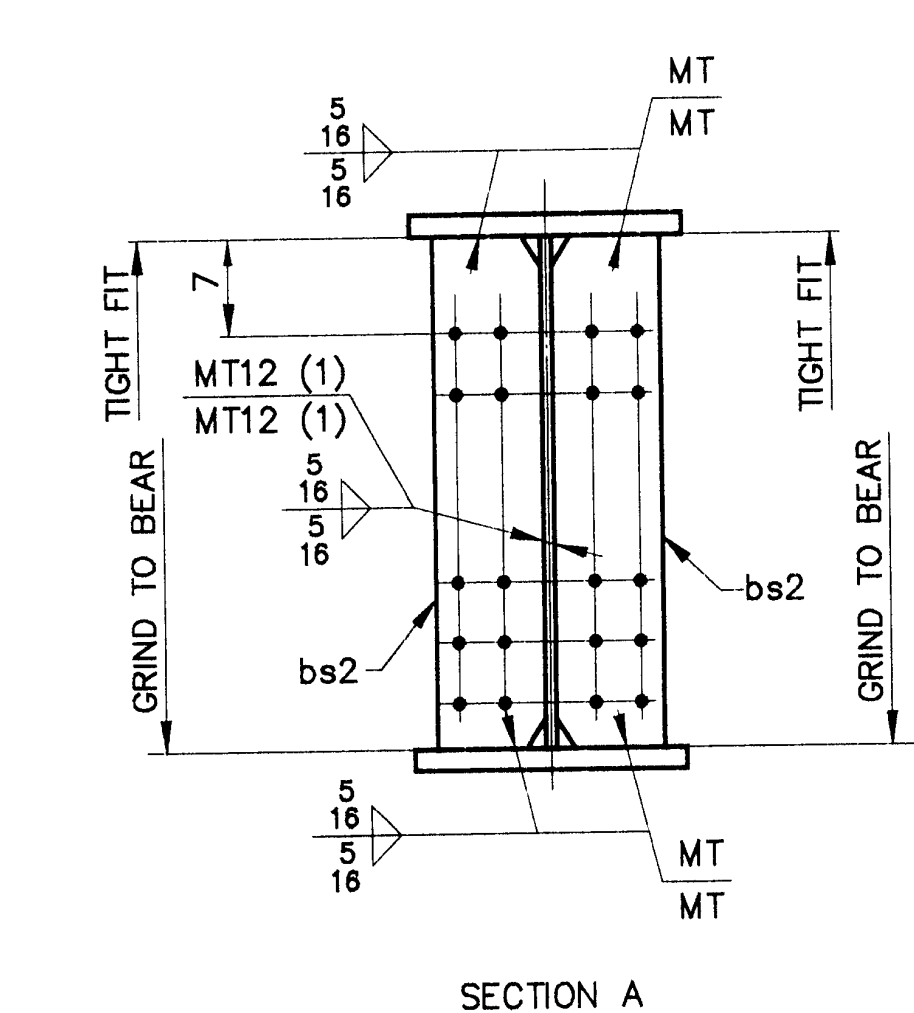


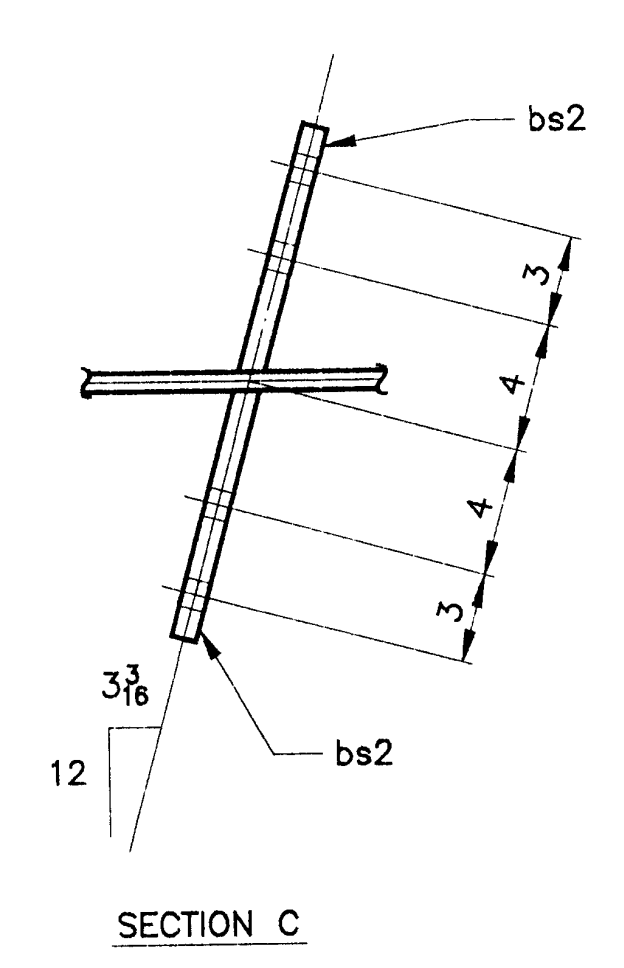
4

STUB LINE

(-1/8)



ONE ~ GIRDER ~ G4B
GIRDER



SHIP MARK		BILL OF MATERIAL				WORK ORDER NO.	DRAWING NO.	REV.
						15713	10-17	
NO.	MARK	SHAPE	LENGTH	WT.	REMARKS			
G4B ONE GIRDER								
1	wp1	R 5/8 x 60	78 0 ⁵ / ₁₆	1 4	9956 (CVN)			
1	tf1	R 1 1/8 x 18	24 11 ¹ / ₈	1 8	1718 (CVN)			
1	tf2	R 2 1/8 x 18	28 0	1 7	3644 (CVN)			
1	tf3	R 1 1/8 x 18	25 11 ¹ / ₈	1 8	1729 (CVN)			
1	bf1	R 1 1/8 x 18	25 11 ¹ / ₈	1 8	1729 (CVN)			
1	bf2	R 2 1/8 x 18	28 0	1 7	3644 (CVN)			
1	bf3	R 1 1/8 x 18	24 11 ¹ / ₈	1 8	1718 (CVN)			
2	bs2	R 7/8 x 8 1/2	5 0	2 1	253 F2E			
8	sf2	R 1/2 x 8	5 0	2 2	544 F1E			
4	fs1	R 5/8 x 18	1 10	1 10	281 (CVN)			
8	fs2	R 5/8 x 7	1 10	1 11	218 (CVN)			
4	ws1	R 5/8 x 54	1 1	1 12	459 (CVN)			
						25893 #		

NOTES

- FOR CAMBER DIAGRAM SEE DRAWING 10-5.
- FOR GIRDER STANDARD DETAILS SEE DRAWINGS 10-3.
- (CVN) DENOTES CHARTY TEST REQUIRED.

STEEL: ASTM A36 A572 GR. A709 GR. 50W Unless Noted

WELDING ELECTRODE: E70 See Welding Proc. None

HOLES: 13/16 15/16 1-1/16 Unless Noted As Noted None

PAINT: None Shop Coat Galv. After Fab. Unless Noted

SPECIAL PAINT: NONE

SPECIAL CLEANING: Blast Clean SSSP SP10 None

ITEM NO. 506.55 BR. NO. 44 PROJ. NO. BRS-RS 0113 (B)

TITLE: GIRDER ~ G4B

APPROVED: _____

PRINT DIST. _____

5 10-14-96 APPR. _____

ORIG 12-3-90 FAB. _____

5 11-18-96 APP _____

0819 4-2-97 V/A/T _____

JOB: U.S. ROUTE 5 OVER BLACK RIVER
SPRINGFIELD, VERMONT

CUSTOMER: WINTERSETT, INC.

DESIGNER: VERMONT AGENCY OF TRANSPORTATION

WORK ORDER NO. 15713 DRAWING NO. 10-17 REV. _____

CHECKED 9/96 CSD DRAWN 9/96 CSD

