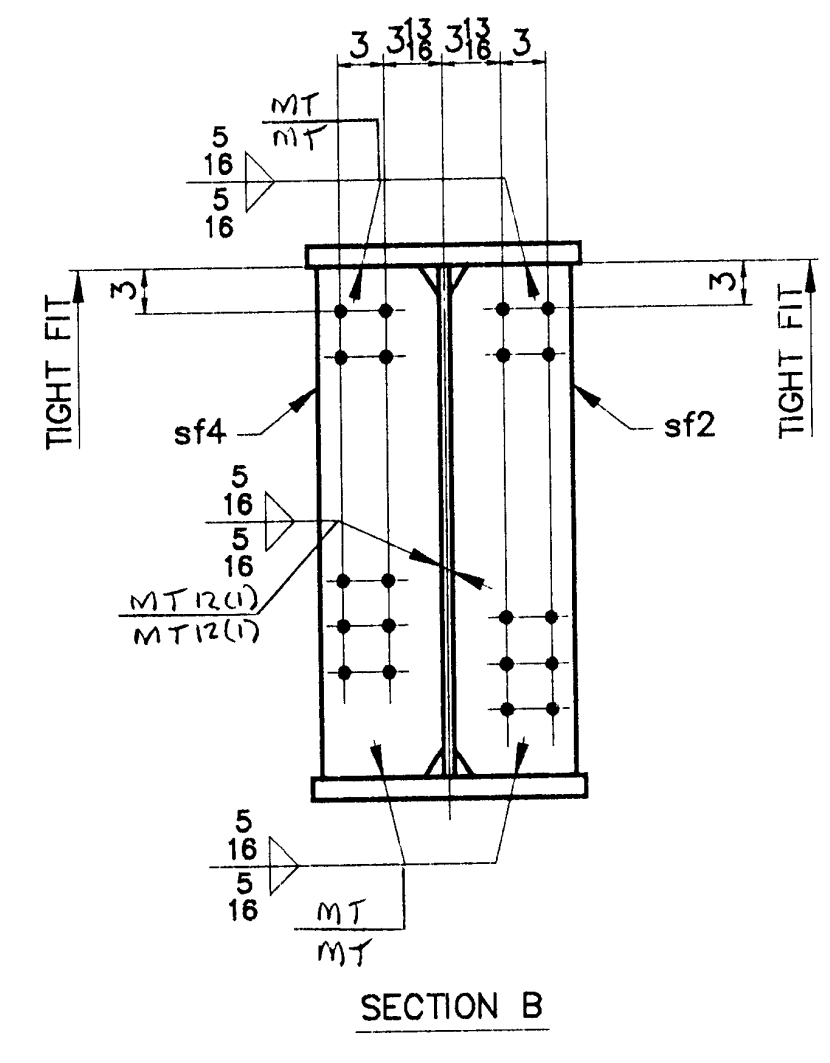
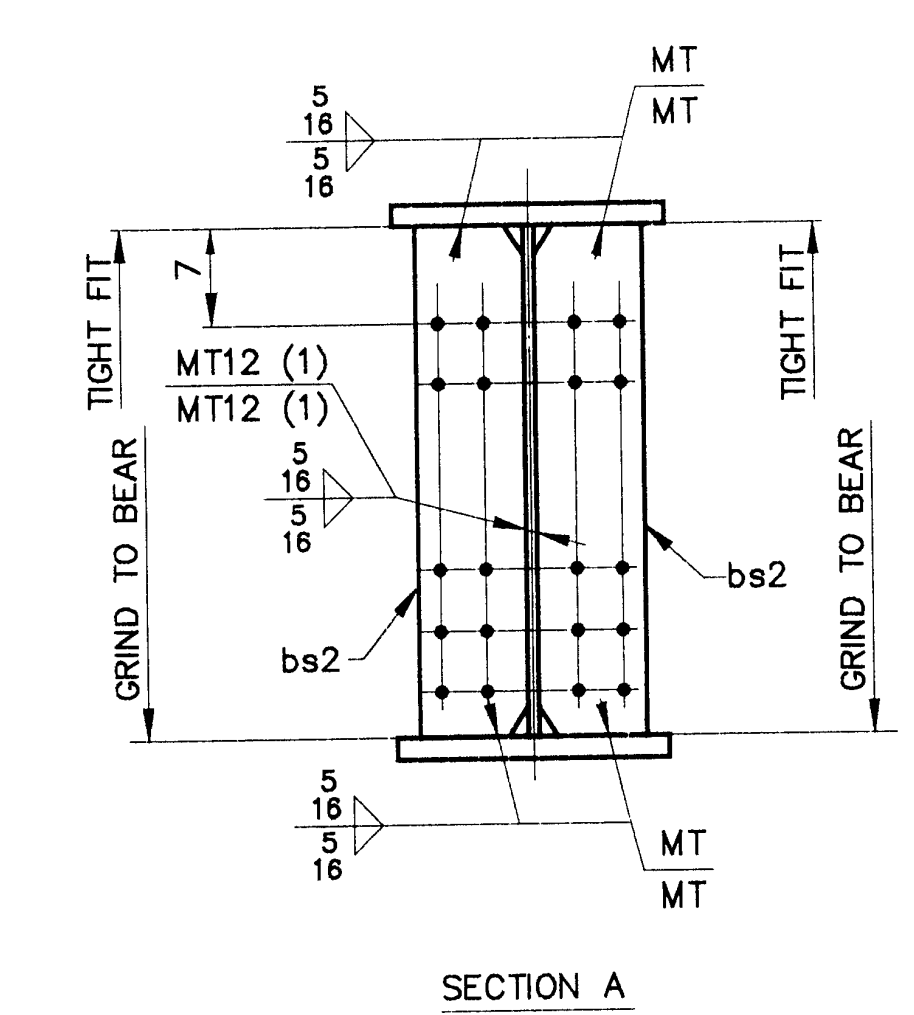


3

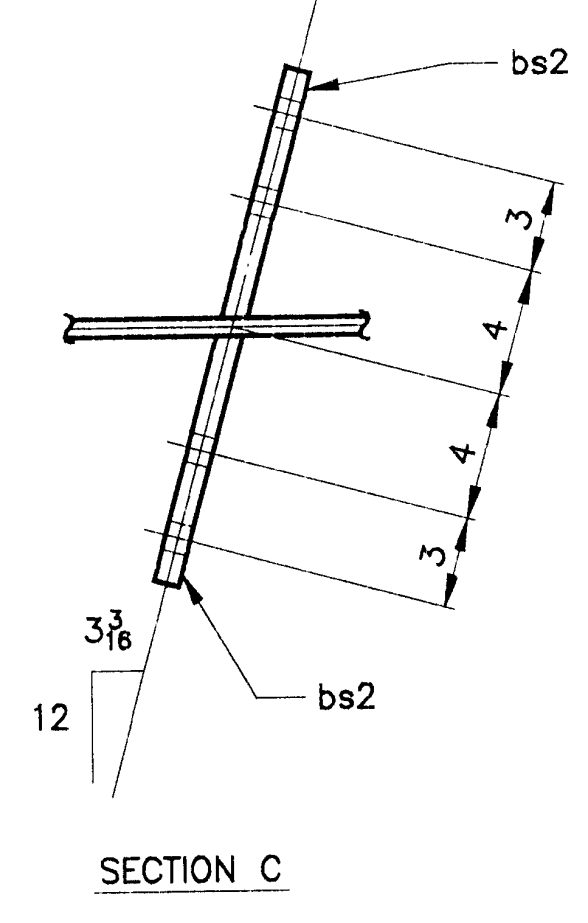
STUB LINE

(FIELD WELDED)

SHEAR STUDS SHALL BE FIELD APPLIED
37 SPACES @ 2'-0" = 74'-0"



ONE ~ GIRDER ~ G3B
GIRDER



SHIP MARK		BILL OF MATERIAL			WORK ORDER NO.	DRAWING NO.	REV.
					15713	10-16	
NO.	MARK	SHAPE	LENGTH	ITEM NO.	WT.	REMARKS	
G3B ONE GIRDER							
67-2	1	wp1	R 5/8 x 60	78	0 5/16	1 4 7956 (CVN)	
67-2	1	tf1	R 1 1/8 x 18	24	11 3/8	1 6 1718 (CVN)	
	1	tf2	R 2 1/8 x 18	28	0	1 7 3644 (CVN)	
	1	tf3	R 1 1/8 x 18	25	1 3/8	1 6 1729 (CVN)	
67-2	1	bf1	R 1 1/8 x 18	25	1 3/8	1 6 1729 (CVN)	
	1	bf2	R 2 1/8 x 18	28	0	1 7 3644 (CVN)	
	1	bf3	R 1 1/8 x 18	24	11 3/8	1 6 1718 (CVN)	
67-2	2	bs2	R 7/8 x 8 1/2	5	0	2 1 253 F2E	
67-2	4	sf2	R 1/2 x 8	5	0	2 2 272 F1E	
	4	sf4	R 1/2 x 8	5	0	2 2 272 F1E	
67-2	4	fs1	R 5/8 x 18	1	10	1 10 281 (CVN)	
	8	fs2	R 5/8 x 7	1	10	1 11 218 (CVN)	
	4	ws1	R 5/8 x 54	1	1	1 12 459 (CVN)	
							25893

NOTES

- FOR CAMBER DIAGRAM SEE DRAWING 10-5.
- FOR GIRDER STANDARD DETAILS SEE DRAWINGS 10-3.
- (CVN) DENOTES CHARPY TEST REQUIRED.

STEEL: ASTM	<input type="checkbox"/> A36	<input type="checkbox"/> A572 GR.	<input checked="" type="checkbox"/> A709 GR. 50W	<input type="checkbox"/> Unless Noted	
WELDING ELECTRODE:	<input type="checkbox"/> E70	<input checked="" type="checkbox"/> See Welding Proc.	<input type="checkbox"/> None	<input type="checkbox"/>	
HOLES:	<input type="checkbox"/> 13/16	<input checked="" type="checkbox"/> 15/16	<input type="checkbox"/> 1-1/16	<input type="checkbox"/> Unless Noted	
PAIN:	<input checked="" type="checkbox"/> None	<input type="checkbox"/> Shop Coat	<input type="checkbox"/> Galv. After Fab.	<input type="checkbox"/> Unless Noted	
SPECIAL PAINT:	NONE				
SPECIAL CLEANING:	<input checked="" type="checkbox"/> Blast Clean	<input type="checkbox"/> SSPC SP10	<input type="checkbox"/> None	<input type="checkbox"/>	
ITEM NO.	506.55	BR. NO.	44	PROJ. NO.	BRS-RS 0113 (8)
TITLE: GIRDER ~ G3B					
APPROVED:	PRINT DIST.				
5	10-18-96	APPR.	National Eastern Corporation		
ORIG	12-3-96	FAB.	Plainville, Connecticut		
5	11-18-96	APP.	JOB: U.S. ROUTE 5 OVER BLACK RIVER		
ORIG	4-3-97	VAT	SPRINGFIELD, VERMONT		
CUSTOMER: WINTERSETT, INC.					
DESIGNER: VERMONT AGENCY OF TRANSPORTATION					
CHECKED		9/9/0	CSD	WORK ORDER NO.	15713
DRAWN		9/96	CSD	DRAWING NO.	10-16
				REV.	