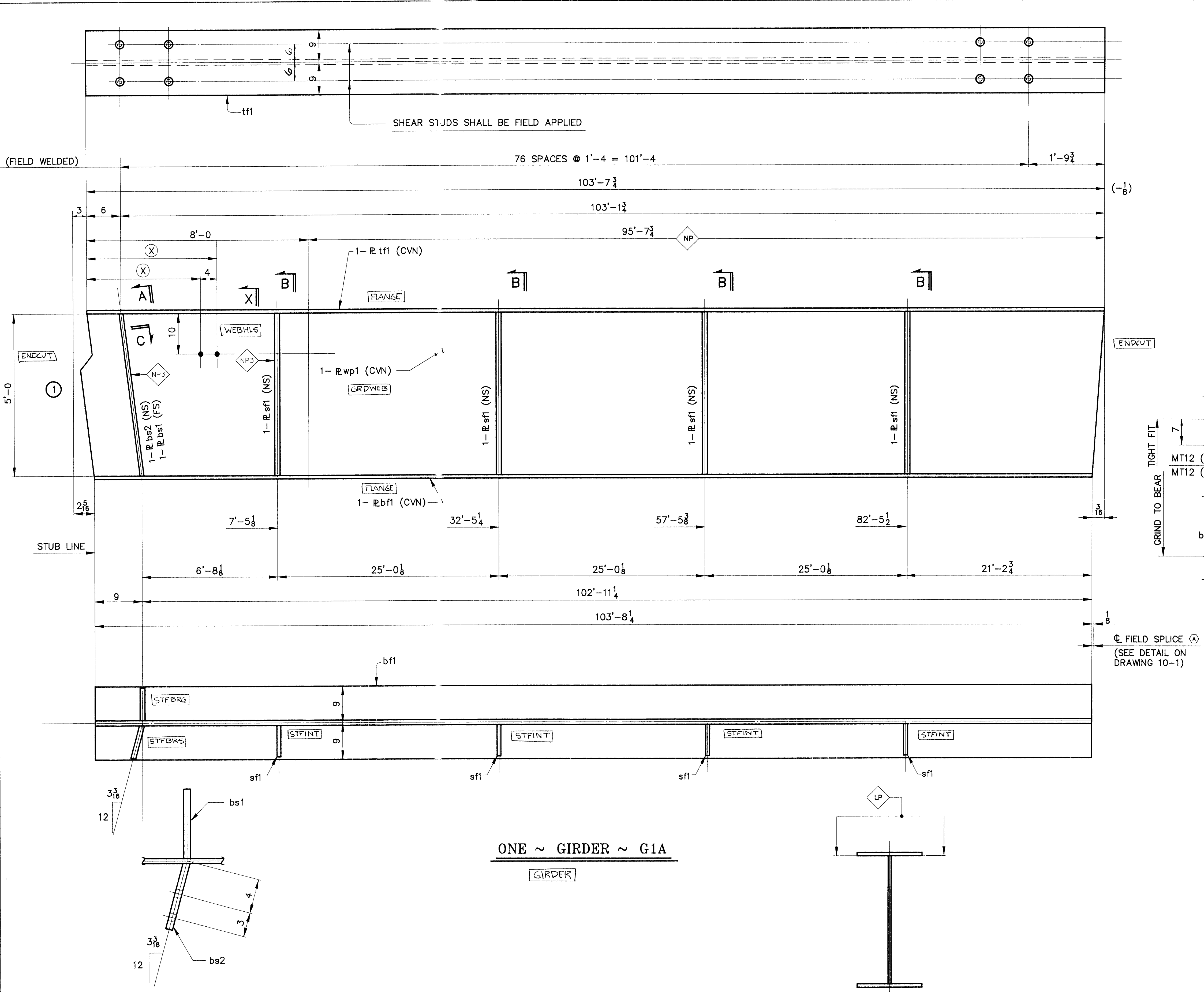
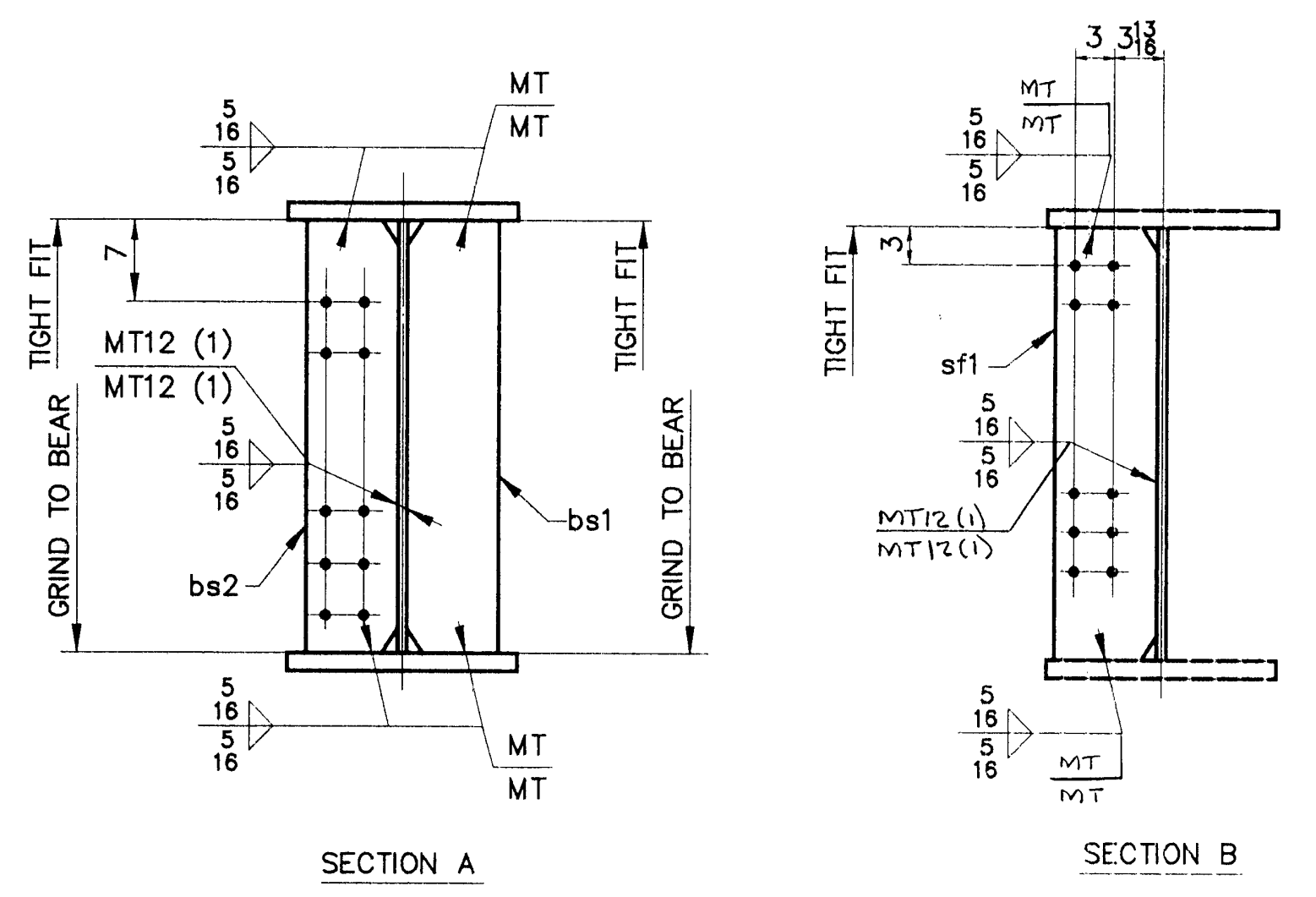


(X)
1'-10
2'-2
4'-10
5'-2
8'-10
9'-2
12'-10
13'-2
15'-10
16'-2
19'-10
20'-2
22'-10
23'-2
26'-10
27'-2
30'-10
31'-2
34'-10
35'-2
38'-10
39'-2
42'-10
43'-2
46'-10
47'-2
50'-10
51'-2
54'-10
55'-2
62'-10
63'-2
65'-10
66'-2
69'-10
70'-2
72'-10
73'-2
76'-10
77'-2
80'-10
81'-2
84'-10
85'-2
88'-10
89'-2
92'-10
93'-2
96'-10
97'-2
100'-10
101'-2



SHIP MARK		BILL OF MATERIAL			WORK ORDER NO.	DRAWING NO.	REV.
		NO.	MARK	SHAPE	LENGTH	15713	10-7
		ITEM NO.	WT.	REMARKS			
G1A	ONE	GIRDER					
6T-2	1	wp1	$R \frac{5}{8} \times 60$	103	10	1	3 13220 (CVN)
6T-1	1	tf1	$R \frac{1}{8} \times 18$	103	7 1/4	1	8 7142 (CVN)
6T-B	1	bf1	$R \frac{1}{8} \times 18$	103	8 1/4	1	5 7145 (CVN)
6T-H	1	bs1	$R \frac{7}{8} \times 8 1/2$	5	0	2	1 127 F2E
6T-E	1	bs2	$R \frac{7}{8} \times 8 1/2$	5	0	2	1 127 F2E
6T-F	4	sf1	$R \frac{1}{2} \times 8$	5	0	2	2 272 F1E



- NOTES**
- FOR CAMBER DIAGRAM SEE DRAWING 10-4.
 - FOR GIRDER STANDARD DETAILS SEE DRAWING 10-3.
 - (CVN) DENOTES CHARTY TEST REQUIRED.

STEEL: ASTM	<input type="checkbox"/> A36	<input type="checkbox"/> A572 GR. 50	<input checked="" type="checkbox"/> A709 GR. 50W	<input type="checkbox"/> Unless Noted	
WELDING ELECTRODE:	<input type="checkbox"/> E70	<input checked="" type="checkbox"/> See Welding Proc.	<input type="checkbox"/> None	<input type="checkbox"/> None	
HOLES:	<input type="checkbox"/> 13/16	<input checked="" type="checkbox"/> 15/16	<input type="checkbox"/> 1-1/16	<input type="checkbox"/> Unless Noted	
PAIN:	<input type="checkbox"/> None	<input type="checkbox"/> Shop Coat	<input type="checkbox"/> Galv. After Fab.	<input checked="" type="checkbox"/> Unless Noted	
SPECIAL PAINT:	SEE SHEET 10-1				
SPECIAL CLEANING:	<input checked="" type="checkbox"/> Blast Clean SSPC SP10	<input type="checkbox"/> None			
ITEM NO.	506.55	BRIDGE NO.	44	PROJ. NO.	BRS-RS 0113 (8)
TITLE:	GIRDER ~ G1A				
APPROVED:					
PRINT DIST.	5	10-14-96	APPR.	 National Eastern Corporation Plainville, Connecticut JOB: U.S. ROUTE 5 OVER BLACK RIVER SPRINGFIELD, VERMONT CUSTOMER: WINTERSETT, INC. DESIGNER: VERMONT AGENCY OF TRANSPORTATION WORK ORDER NO. 15713 DRAWING NO. 10-7	
ORIG	5	11-3-96	FAB.		
	5	11-18-96	APP		
	ORL	4-3-97	UAT		
CHECKED	10/96	CSD			
DRAWN	9/96	CSD			

ONE ~ GIRDER ~ G1A
GIRDER

