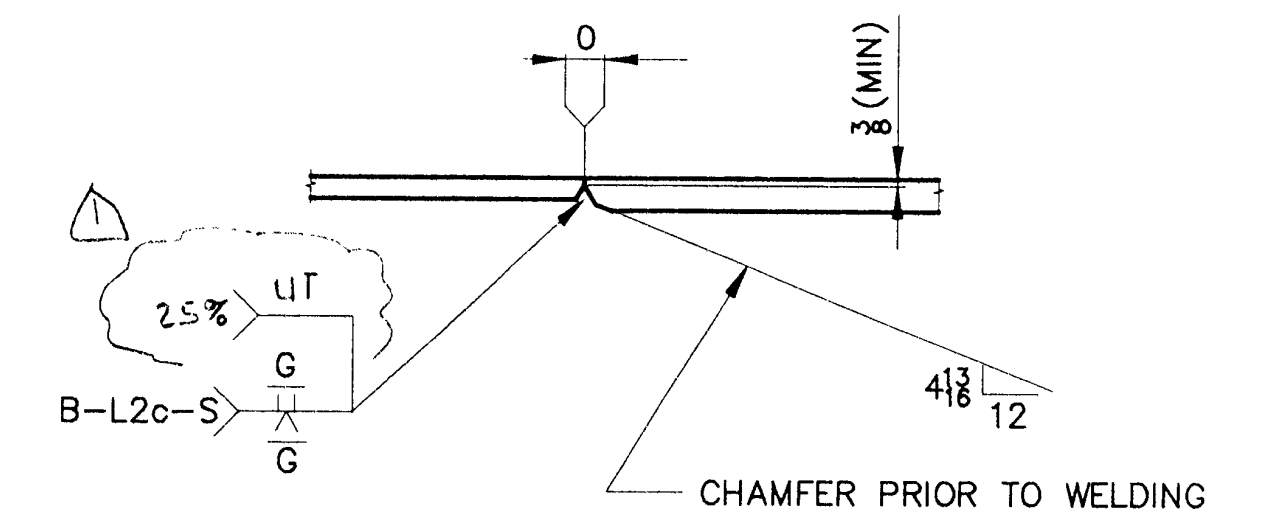
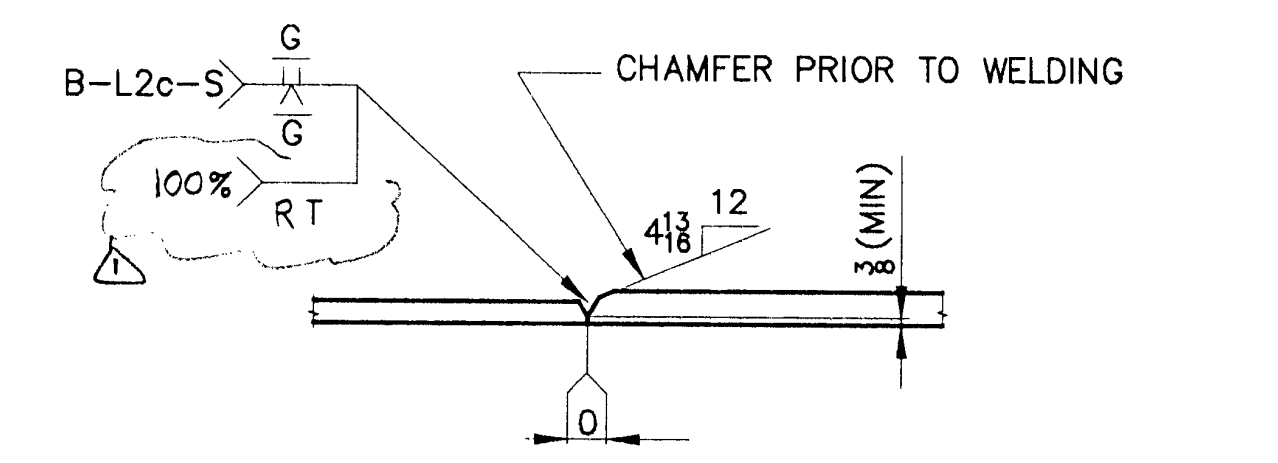
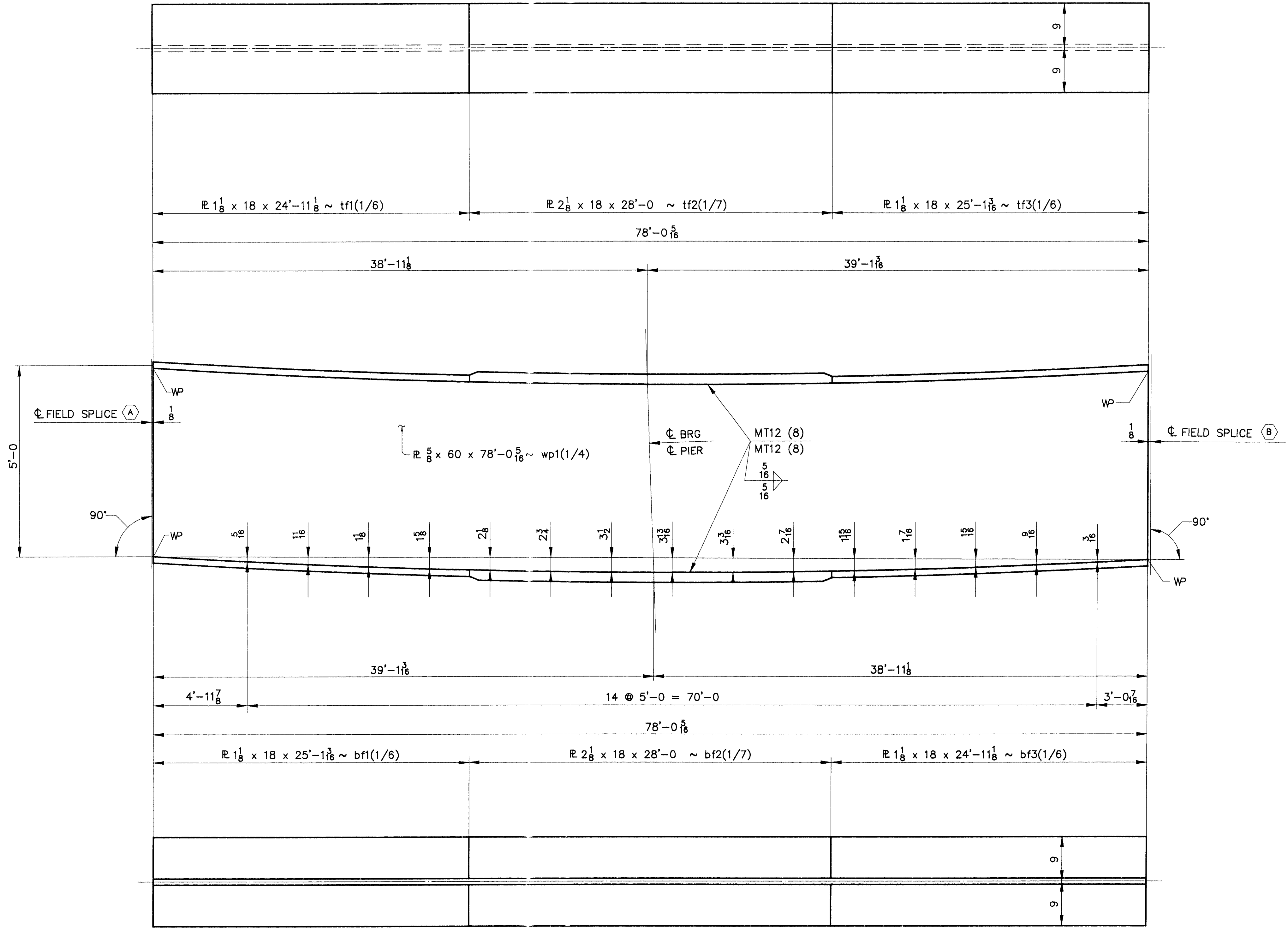


WORK ORDER NO.	DRAWING NO.	REV.
15713	10-5	1



**NOTES**  
 1. ALL MATERIAL SHALL BE A709 GR 50W T2.

CAMBER DIAGRAMS ~ G1B THRU G7B

ITEM NO. 506.55	BRIDGE NO. 44	PROJ. NO. BRS-RS 0113 (8)
TITLE: CAMBER DIAGRAM ~ G1B THRU G7B		
APPROVED:	National Eastern Corporation Plainville, Connecticut	
PRINT DIST.	JOB: U.S. ROUTE 5 OVER BLACK RIVER SPRINGFIELD, VERMONT	
ORIG 10-12-96 APPR. 12-3-96 FAB.	CUSTOMER: WINTERSETT, INC.	
5 11-18-96 APP	DESIGNER: VERMONT AGENCY OF TRANSPORTATION	
8 1-20-97 APP	WORK ORDER NO. 15713	
11 1-20-97 E.H.B.	DRAWING NO. 10-5	
DRIG 4-2-97 VHT	REV. 1	
CHECKED 10/96 CSD		
DRAWN 9/96 CSD		

WELD INSPECTION 1-20-97 JCM

96-036