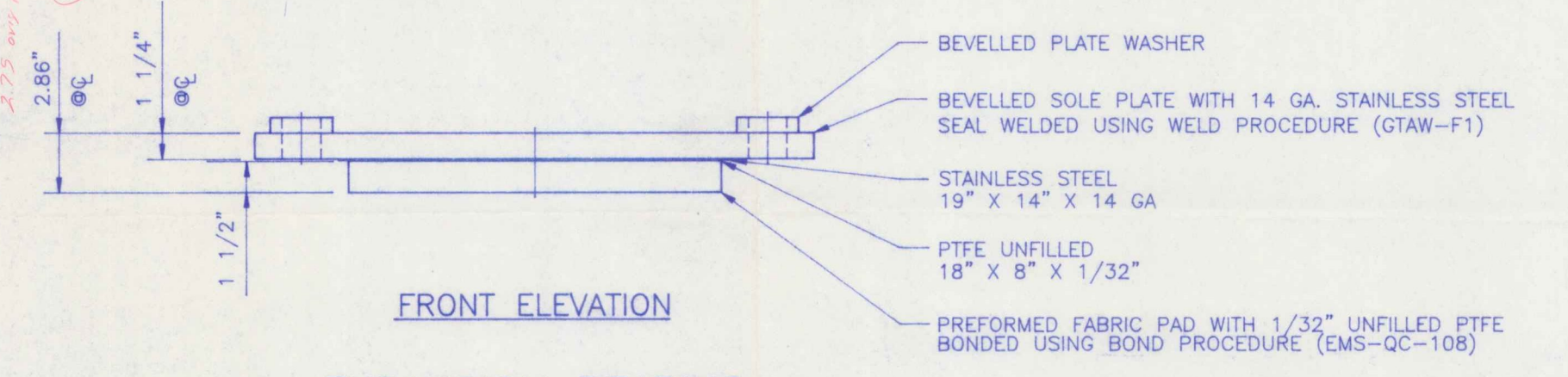


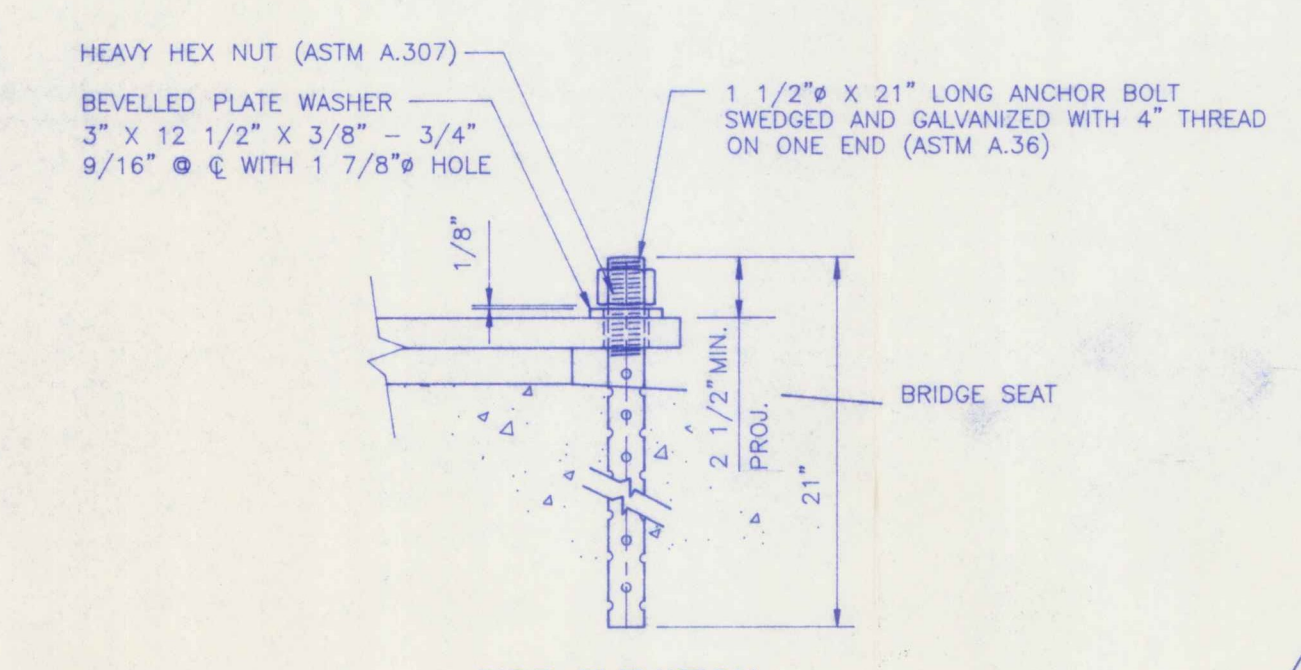
**SIDE ELEV**  
BEVELLED SOLE PLATE ONLY  
N.T.S.

**PLAN**



**FRONT ELEVATION**

**EXPANSION BEARING**  
LOCATION - ABUTMENT NO. 1  
QUANTITY REQUIRED - 7

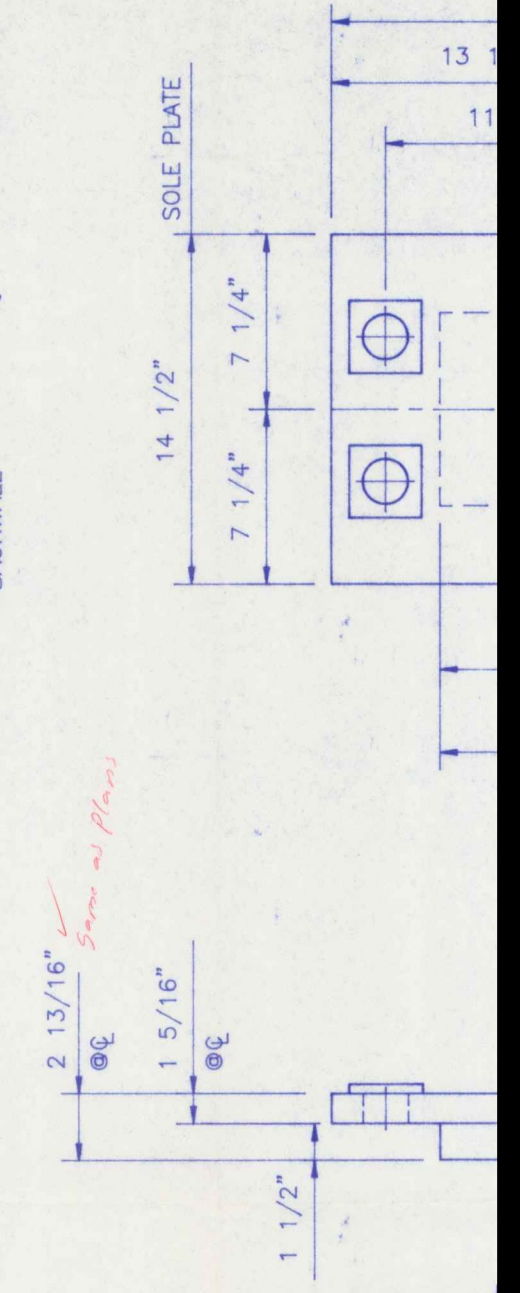


**SIDE ELEVATION**

EXPANSION BEARING ANCHOR BOLT DETAIL  
QUANTITY REQUIRED FOR EXPANSION BEARING @ ABUTMENT NO. 1 - 14

THREADS SHALL BE BURRED  
TO PREVENT REMOVAL

NUTS, BOLTS, AND WASHERS  
TO BE SUPPLIED BY COSMEC, INC.



LOCATION  
QUA

HEAVY HEX NUT  
(ASTM A.307)  
PLATE WASHER  
3/8" X 3" X 3"  
WITH 1 7/8" HOLE  
1/8" GAP (TYP)

FIXED  
QUANTITY REQUIRED F