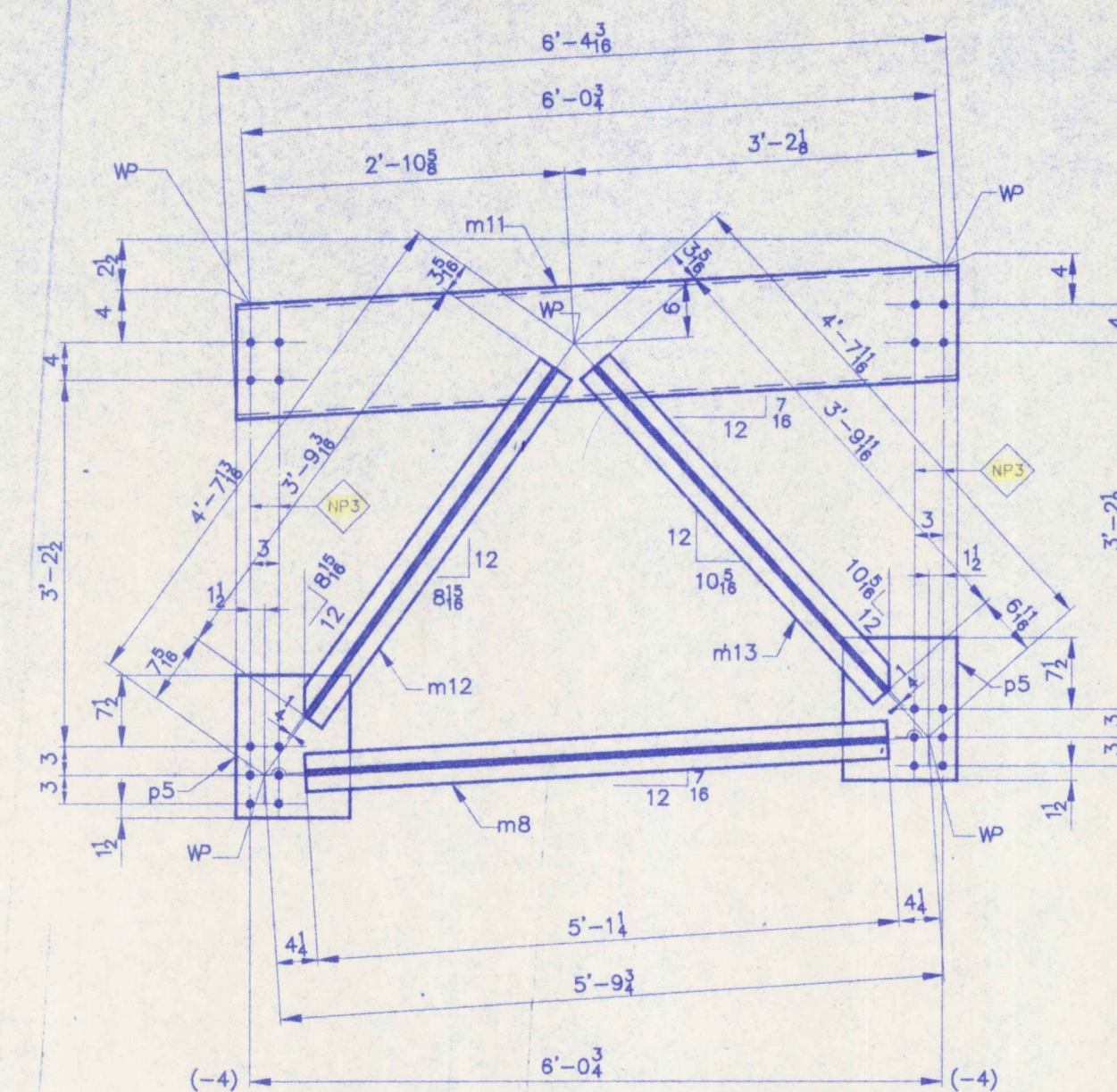
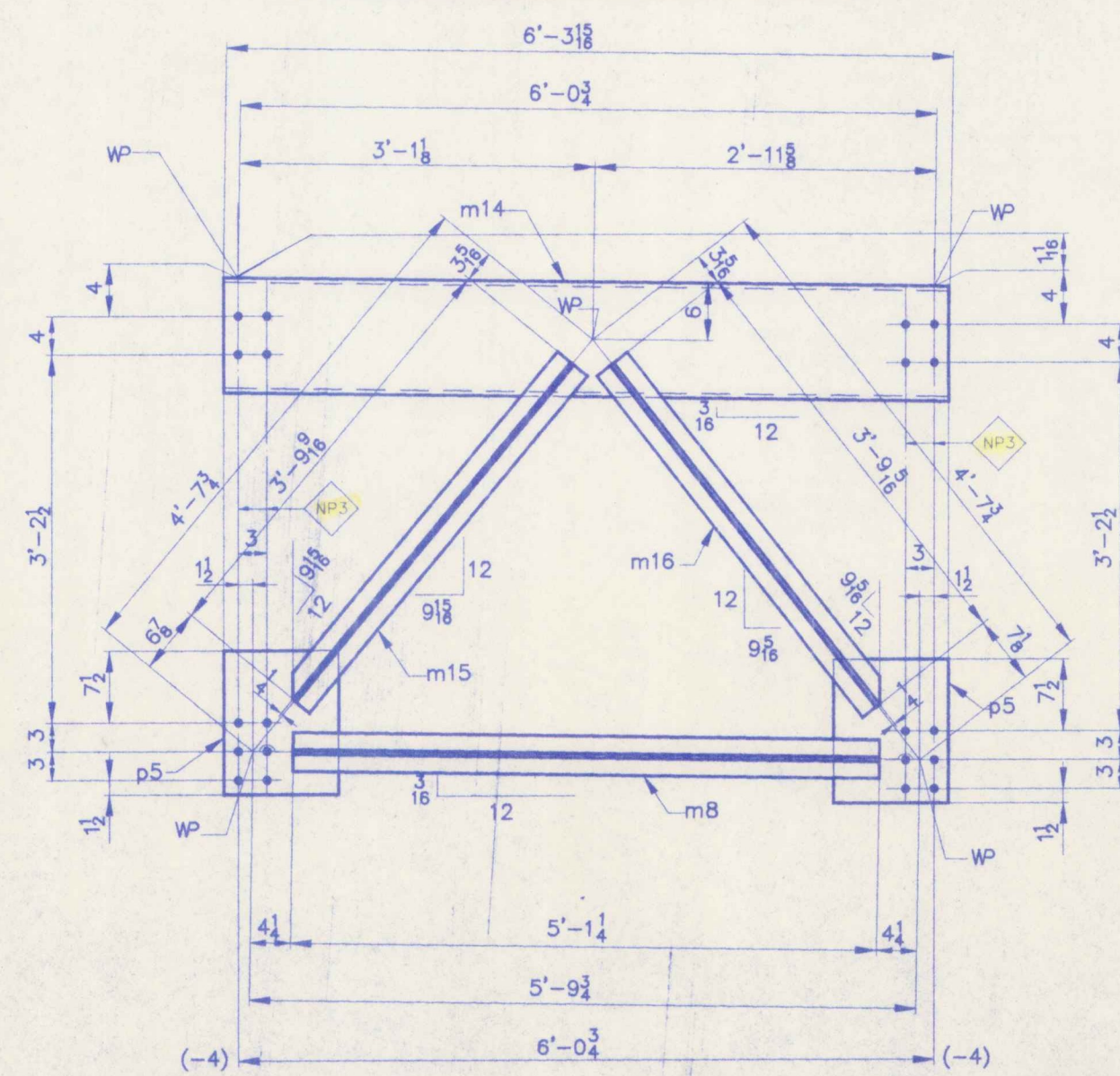


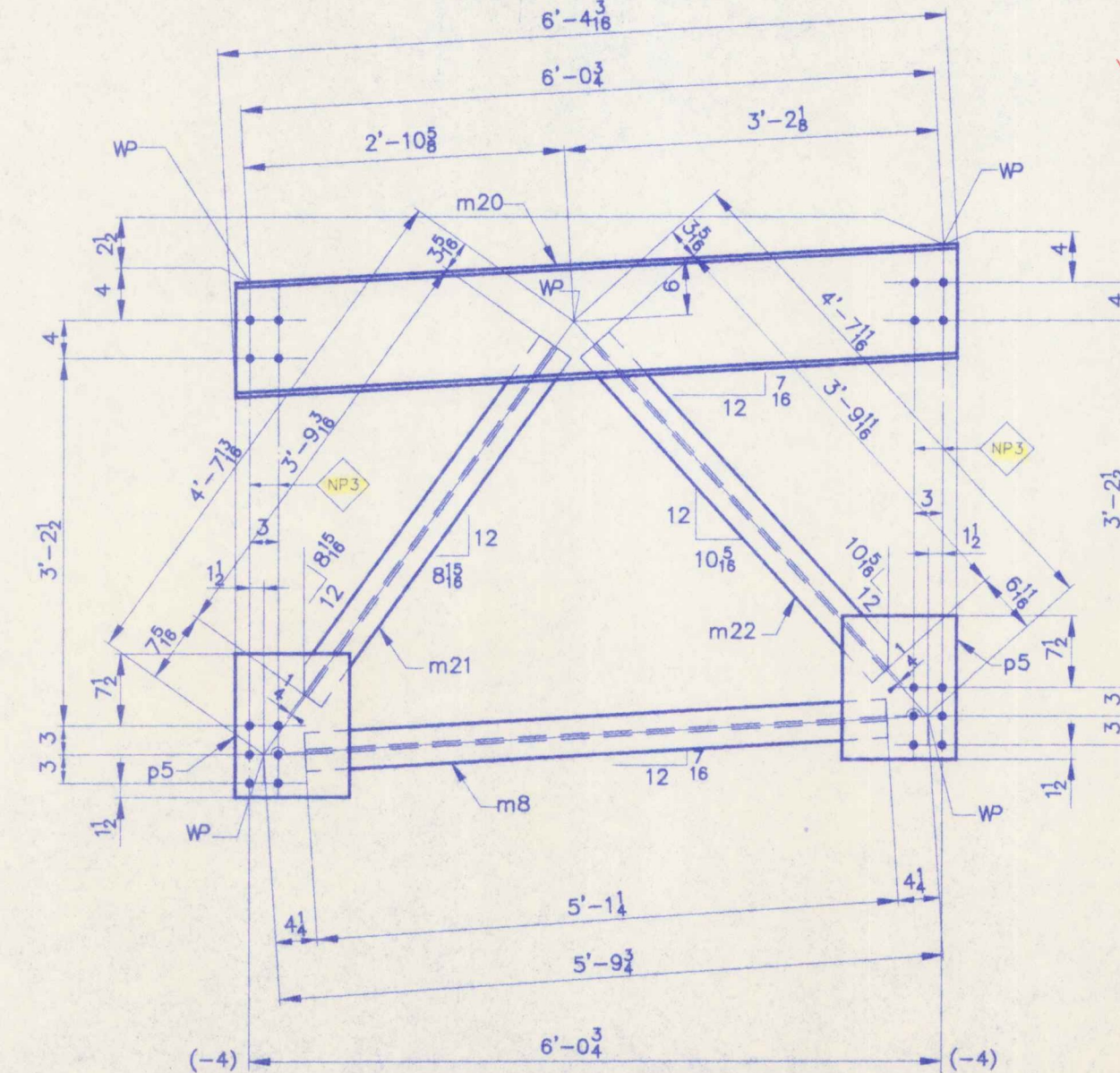
ONE ~ CROSS FRAME ~ F11 [ECFSTR]



2 ~ CROSS FRAMES ~ F12 [ECFSTR]



2 ~ CROSS FRAMES ~ F13 [ECFSTR]

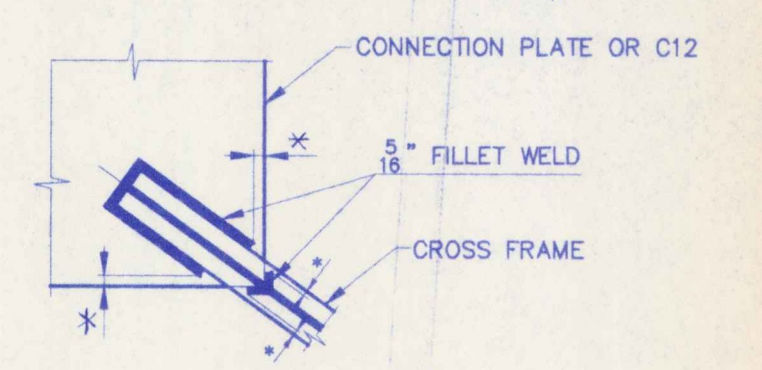


ONE ~ CROSS FRAME ~ F14 [ECFSTR]

BILL OF MATERIAL				WORK ORDER NO.	DRAWING NO.	REV.	
SHIP MARK	NO.	MARK	SHAPE	LENGTH	ITEM NO.	WT.	REMARKS
					15713	20-4	
F11	ONE		CROSS FRAMES				
	1	m7	C12 x 25	6 4 1/8	2/3	159	
	1	m8	WT 5 x 9.5	5 1 1/4	2/4	40	
	1	m9	WT 5 x 9.5	3 8 1/8	2/5	36	
	1	m10	WT 5 x 9.5	3 9 1/8	2/6	36	
	2	p5	E 1/2 x 12	1 3	2/8	57	
F12	2		CROSS FRAMES				
	2	m11	C12 x 25	6 4 1/8	2/3	917	
	2	m8	WT 5 x 9.5	5 1 1/4	2/4	97	
	2	m12	WT 5 x 9.5	3 9 1/8	2/5	72	
	2	m13	WT 5 x 9.5	3 9 1/8	2/6	72	
	4	p5	E 1/2 x 12	1 3	2/8	102	
F13	2		CROSS FRAMES				
	2	m14	C12 x 25	6 3 1/8	2/3	316	
	2	m8	WT 5 x 9.5	5 1 1/4	2/4	97	
	2	m15	WT 5 x 9.5	3 9 1/8	2/5	72	
	2	m16	WT 5 x 9.5	3 9 1/8	2/6	72	
	4	p5	E 1/2 x 12	1 3	2/8	102	
F14	ONE		CROSS FRAME				
	1	m20	C12 x 25	6 4 1/8	2/3	159	
	1	m8	WT 5 x 9.5	5 1 1/4	2/4	48	
	1	m21	WT 5 x 9.5	3 9 1/8	2/5	36	
	1	m22	WT 5 x 9.5	3 9 1/8	2/6	36	
	2	p5	E 1/2 x 12	1 3	2/8	57	

1979 #

✓ No Excursion Taken  Make Connections Noted  
 Recheck and Rebuild  Not Applicable  
 Reviewed only for general conformance with the design information provided and general conformance with the Plans. It is not intended to constitute a warranty, express or implied, for the material or workmanship. The contractor shall be responsible for verifying the quantities and dimensions and performing the work in a satisfactory manner.  
 McFARLAND-JOHNSON ENGINEERS, INC.  
 Date 12/12/10 BY 376



\* NO WELD FOR 1/4" MIN., 1/2" MAX.

WELD TERMINATION DETAIL FOR APPROVAL

STEEL: ASTM  A36  A572 GR  A709 GR 50w (Unless noted)

WELDING ELECTRODE:  E7018  See Welding Proc.  None

HOLES:  13/16  15/16  1-1/16 (Unless noted)  As Noted  None

PAINT:  None  Shop Coat  Galv. After Fab.  Unless noted

SPECIAL PAINT: SEE SHEET 10-1

SPECIAL CLEANING:  Blast Clean SSPEC SP10  None

ITEM NO. 506.55 BRIDGE NO. 44 PROJ. NO. BRS-RS 0113 (B)

TITLE: CROSS FRAMES

APPROVED: \_\_\_\_\_

PRINT: \_\_\_\_\_

DATE: 10-12-10 APPR. \_\_\_\_\_

DATE: 12-3-10 DES. \_\_\_\_\_

DATE: 11-8-10 MFP \_\_\_\_\_

JOB: U.S. ROUTE 5 OVER BLACK RIVER SPRINGFIELD, VERMONT

CUSTOMER: WINTERSETT, INC.

DESIGNER: VERMONT AGENCY OF TRANSPORTATION

WORK ORDER NO. 15713 DRAWING NO. 20-4 REV.

CHECKED 10/16 JH DRAWN 9/96 CSD