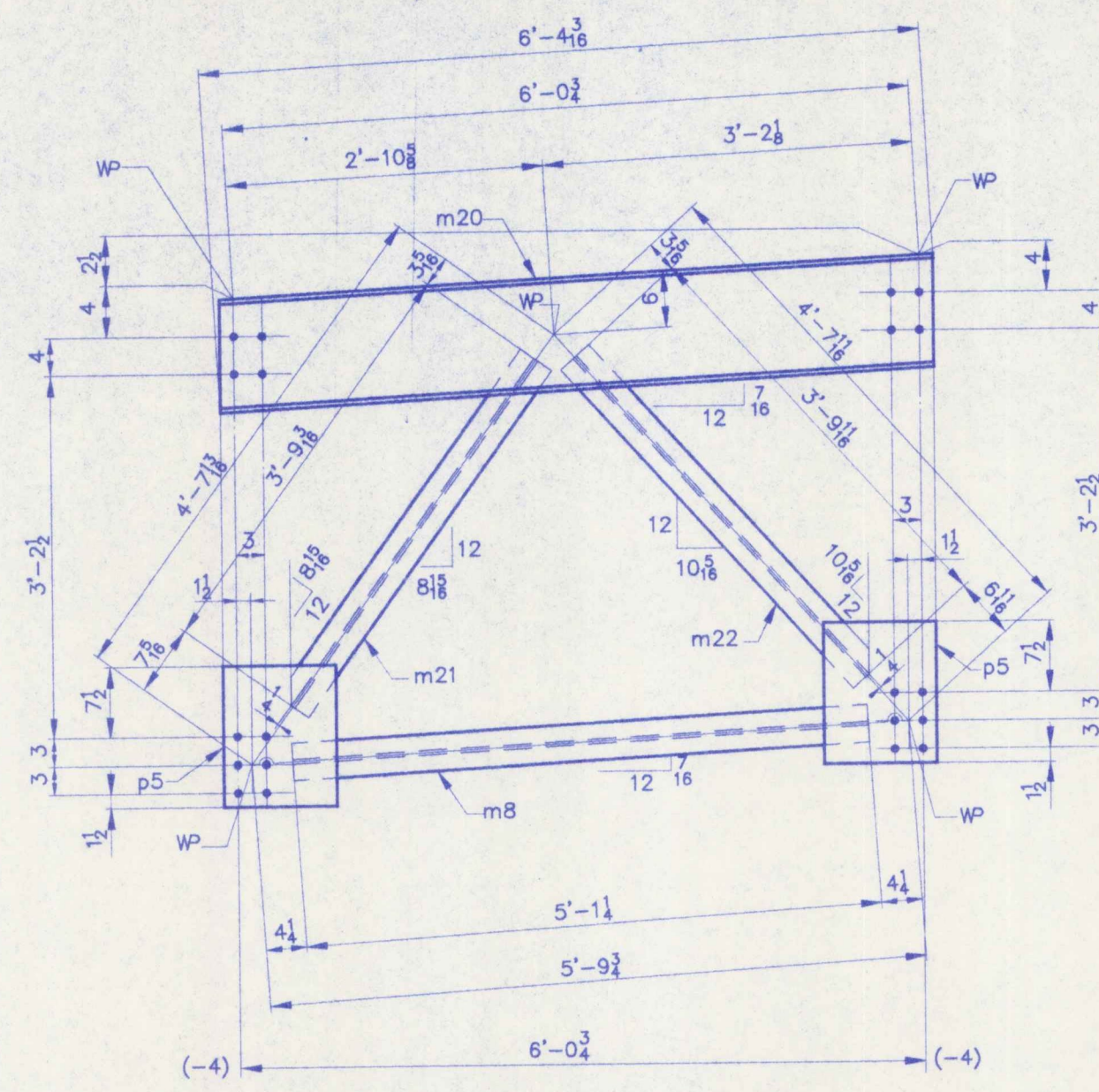
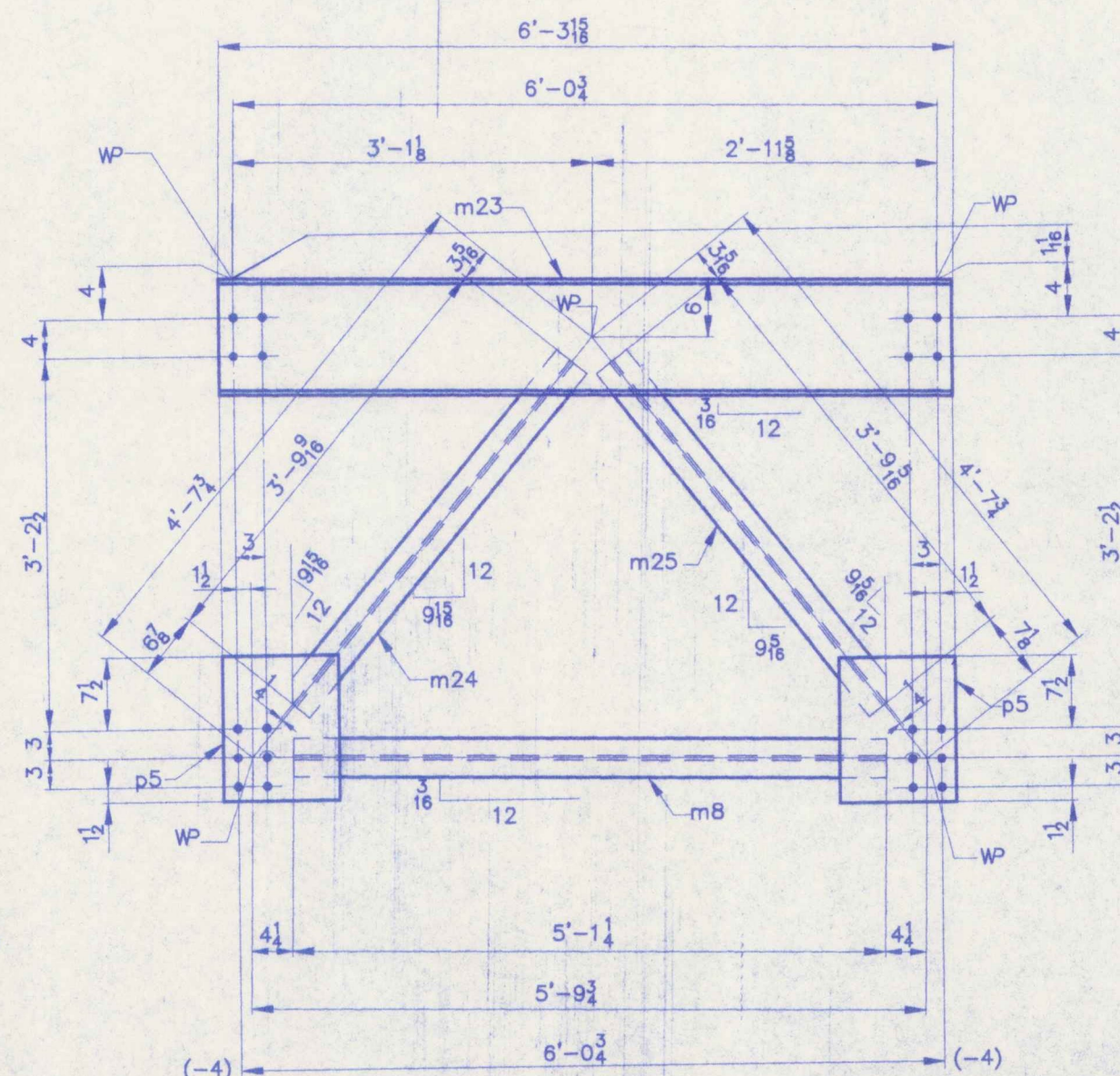


ONE ~ CROSS FRAME ~ F6 ECFSTR



3 ~ CROSS FRAMES ~ F8 ECFSTR

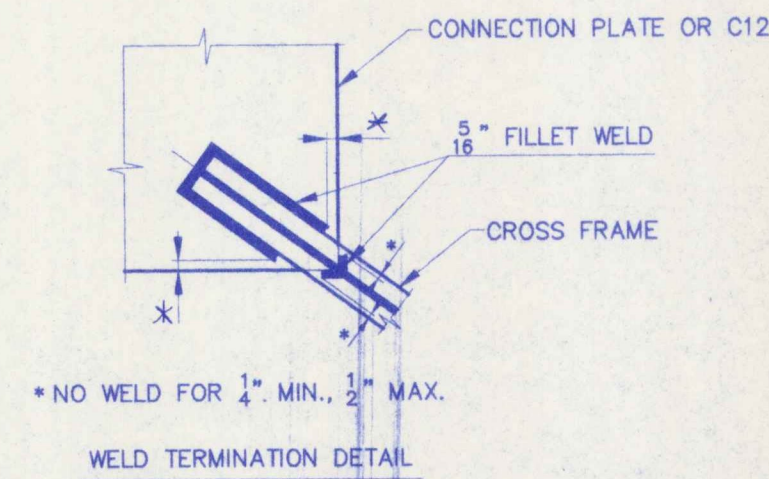


2 ~ CROSS FRAMES ~ F10 ECFSTR

No Exception Taken
 Make Connections Notes
 Date 11/14/96 BY JCB

SHIP MARK		BILL OF MATERIAL		WORK ORDER NO.	DRAWING NO.	REV.
				15713	20-3	
NO.	MARK	SHAPE	LENGTH	ITEM NO.	WT.	REMARKS
F6 ONE CROSS FRAMES						
1	m17	C12 x 25	6 4 1/8	2/3	159	
1	m8	WT 5 x 9.5	5 1 1/4	2/4	48	
1	m18	WT 5 x 9.5	3 8 1/8	2/5	36	
1	m19	WT 5 x 9.5	3 9 1/8	2/5	36	
2	p5	R 1/2 x 12	1 3	2/6	51	
F8 3 CROSS FRAMES						
3	m20	C12 x 25	6 4 1/8	2/3	476	
3	m8	WT 5 x 9.5	5 1 1/4	2/4	145	
3	m21	WT 5 x 9.5	3 9 1/8	2/5	107	
3	m22	WT 5 x 9.5	3 9 1/8	2/5	109	
6	p5	R 1/2 x 12	1 3	2/6	153	
F10 2 CROSS FRAMES						
2	m23	C12 x 25	6 3 1/8	2/3	316	
2	m8	WT 5 x 9.5	5 1 1/4	2/4	97	
2	m24	WT 5 x 9.5	3 9 1/8	2/5	72	
2	m25	WT 5 x 9.5	3 9 1/8	2/5	72	
4	p5	R 1/2 x 12	1 3	2/6	102	

1979 #



FOR APPROVAL

STEEL: ASTM A36 A572 GR 50 A709 GR 50w Unless Noted

WELDING ELECTRODE: E70 See Welding Proc. None

HOLES: 13/16" 15/16" 1-1/16" Unless Noted As Noted None

PAIN: None Shop Coat Gw. After Fab Unless noted

SPECIAL PAINTS: NONE

SPECIAL CLEANING: Blast Clean SSPC SP10 None

ITEM NO. 506.55 BRIDGE NO. 44 PROJ. NO. BRS-RS 0113 (B)

TITLE: CROSS FRAMES

APPROVED: PRINT DIST. APRR. ORIG. 12-96 FAB. 5 1/28 96 APP.

National Eastern Corporation
 Plainville, Connecticut

JOB: U.S. ROUTE 5 OVER BLACK RIVER
 SPRINGFIELD, VERMONT

CUSTOMER: WINTERSETT, INC.
 DESIGNER: VERMONT AGENCY OF TRANSPORTATION

CHECKED 10/96 JCB
 DRAWN 9/96 CSD

WORK ORDER NO. 15713 DRAWING NO. 20-3 REV.