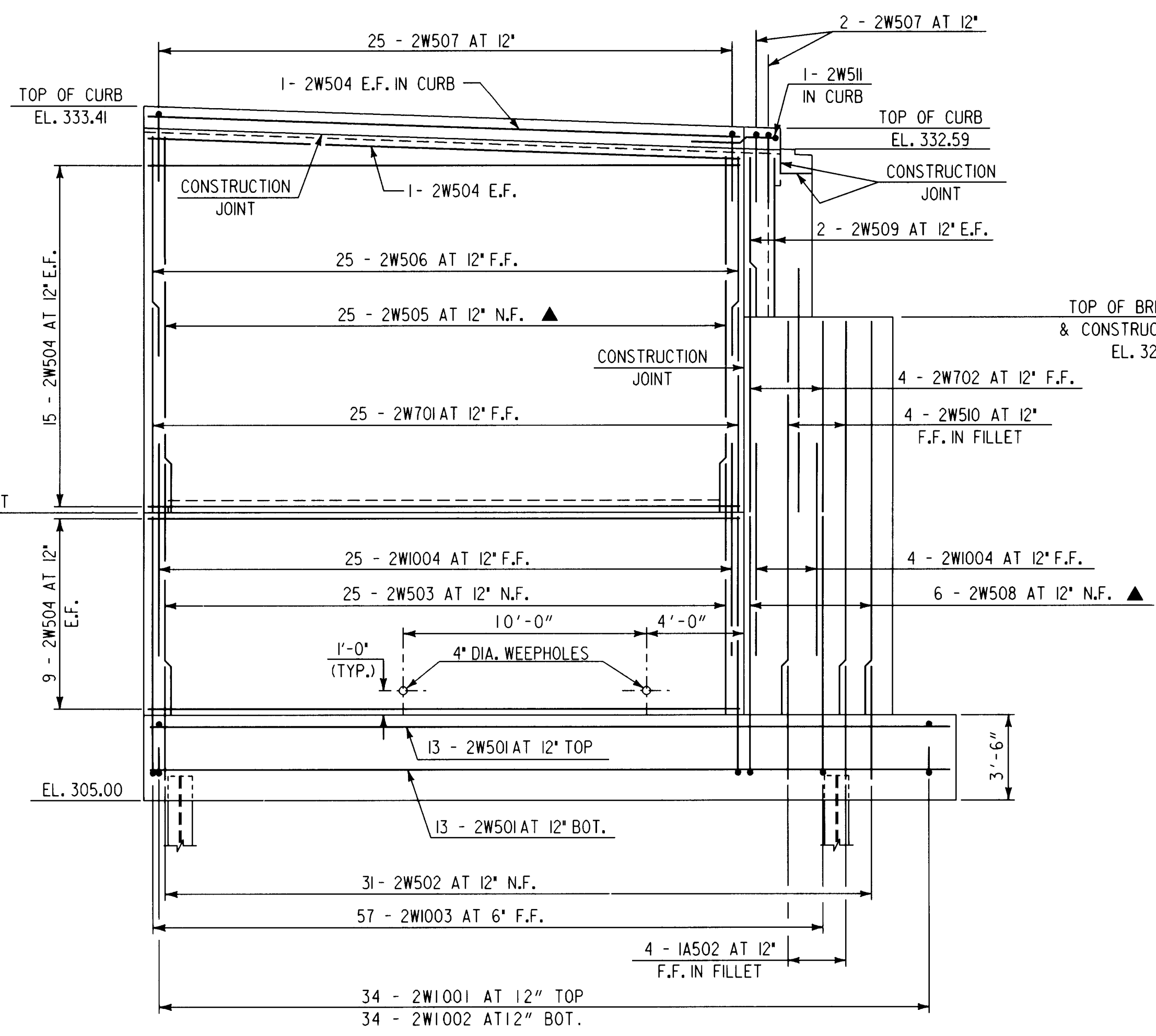
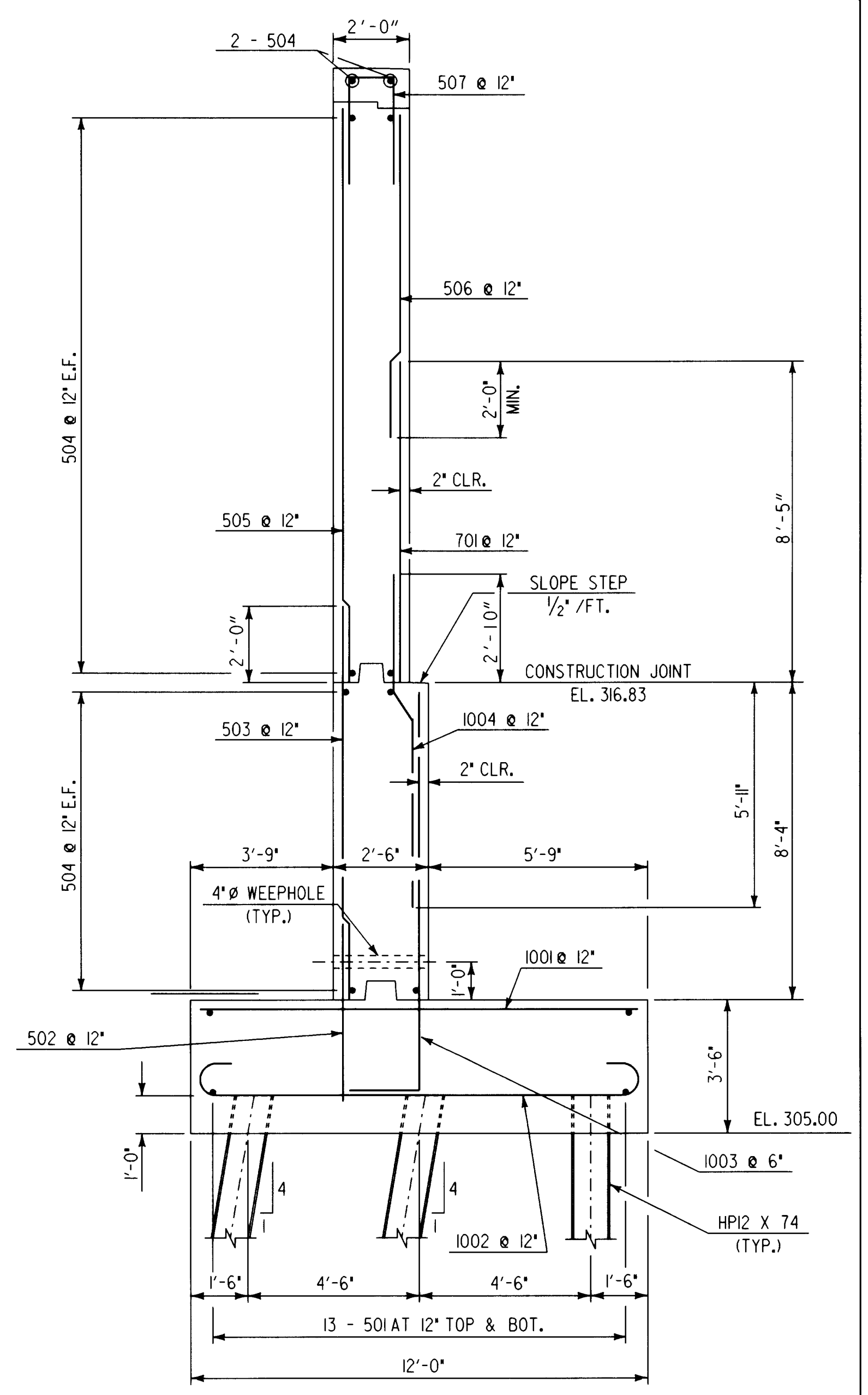


WINGWALL NO. 1 ELEVATION
SCALE: 1/4" = 1'-0"



WINGWALL NO. 2 ELEVATION
SCALE: 1/4" = 1'-0"

NOTE:
N.F. - NEAR FACE
F.F. - FAR FACE
E.F. - EACH FACE
▲ - CUT TO FIT IN FIELD



WINGWALL NO. 1 & 2 TYPICAL SECTION
SCALE: 3/8" = 1'-0"

NOTE: REINFORCING COVER 3" CLEAR ON ALL FACES EXCEPT WHERE NOTED.

STATE OF VERMONT AGENCY OF TRANSPORTATION	
Town Of SPRINGFIELD	Bridge No. 44
Highway No. U.S. ROUTE 5	Log Sta. Surv. Sta.
U.S. ROUTE 5 OVER BLACK RIVER	
WINGWALL NO. 1 & 2 DETAILS	
Designed By S. BAKI	Drawn By W. GAYNOR
Checked By S. BAKI	Bridge Design Supervisor P. PIERCE Date 5/96
PROJECT SPRINGFIELD	PROJECT NO. BRS-RS 0113 (8)
I.G.C. Info. cr\usr\j9145622\sprwall.dgn	
Bridge Sheet No. BR122	Sheet 51 of 90