

PLAN VIEW
SCALE: 1" = 10'-0"

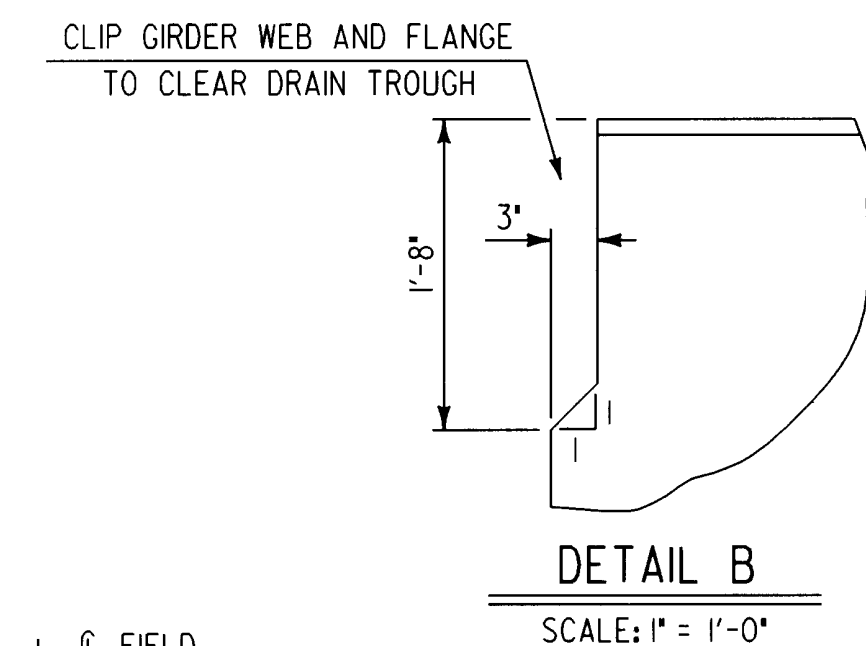
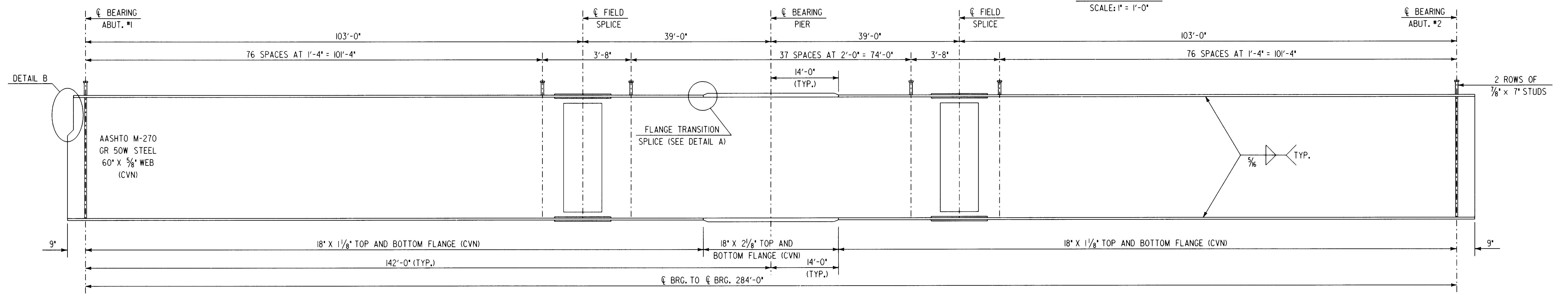
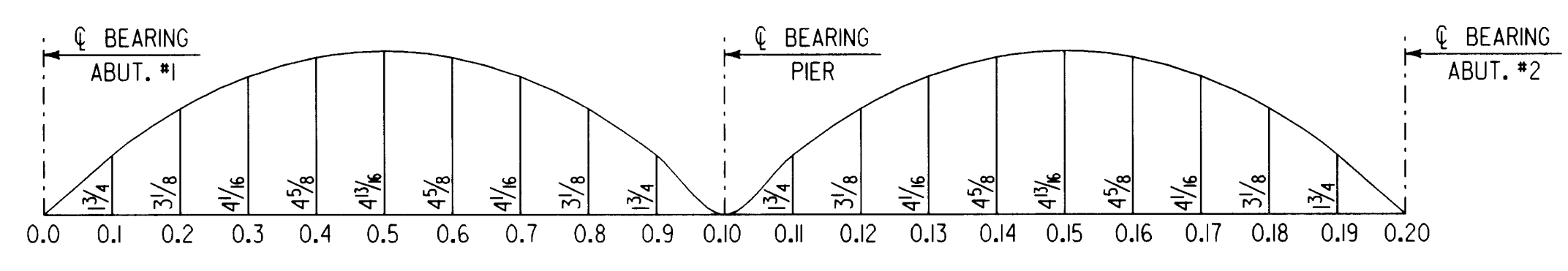


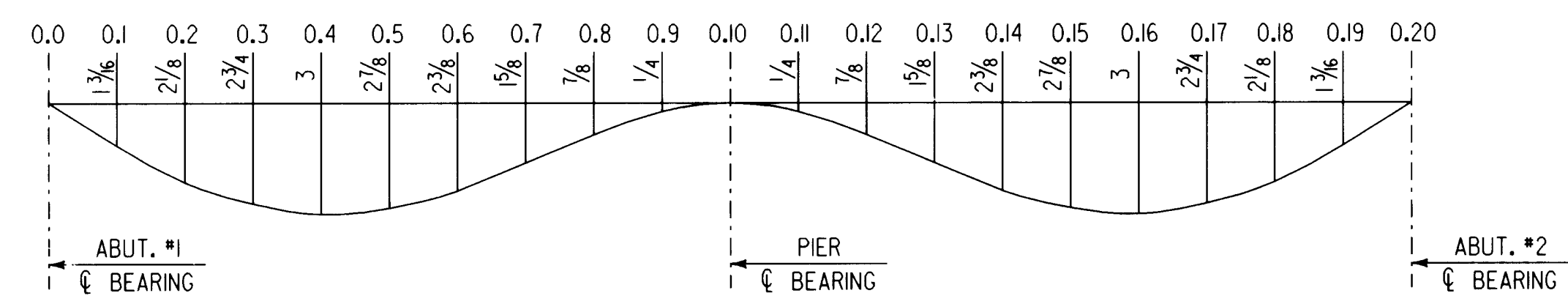
TABLE OF CROSS FRAME SPACING					
GIRDER	*A*	*B*	*C*	*D*	NUMBER OF SHEAR CONNECTORS PER BEAM
G1	6'-9 1/4"	15'-2 3/4"	4'-9 1/4"	17'-2 3/4"	284
G2	8'-6 1/4"	13'-5 3/4"	6'-6 1/4"	15'-5 3/4"	284
G3	10'-3 1/8"	11'-8 7/8"	8'-3 1/8"	13'-8 7/8"	284
G4	12'-0"	10'-0"	10'-0"	12'-0"	284
G5	13'-8 7/8"	8'-3 1/8"	11'-8 7/8"	10'-3 1/8"	284
G6	15'-5 3/4"	6'-6 1/4"	13'-5 3/4"	8'-6 1/4"	284
G7	17'-2 3/4"	4'-9 1/4"	15'-2 3/4"	6'-9 1/4"	284



GIRDER ELEVATION
NOT TO SCALE



CAMBER DIAGRAM
NOT TO SCALE



DEAD LOAD DEFLECTION DIAGRAM
NOT TO SCALE

NOTE: DEAD LOAD DEFLECTIONS SHOWN ARE FOR ALL DEAD LOADS AND SUPERIMPOSED DEAD LOADS INCLUDING GIRDER AND CROSSFRAME WEIGHTS.

Revised 7/9/96

**STATE OF VERMONT
AGENCY OF TRANSPORTATION**

Town Of	SPRINGFIELD	Bridge No.	44
Highway No.	U.S. ROUTE 5	Log Sta.	
		Surv. Sta.	
U.S. ROUTE 5 OVER BLACK RIVER			
FRAMING PLAN AND GIRDER ELEVATION			
Designed By	S. BAKI	Drawn By	W. GAYNOR
Checked By	S. BAKI	Date	7-95
		Bridge Design Supervisor	P. PIERCE
		Date	5/96
PROJECT	SPRINGFIELD		
J.G.C. Info.	c:\usr\jg45622\spfrmpin.dgn		
Bridge Sheet No.	BR11	Sheet	40 of 90