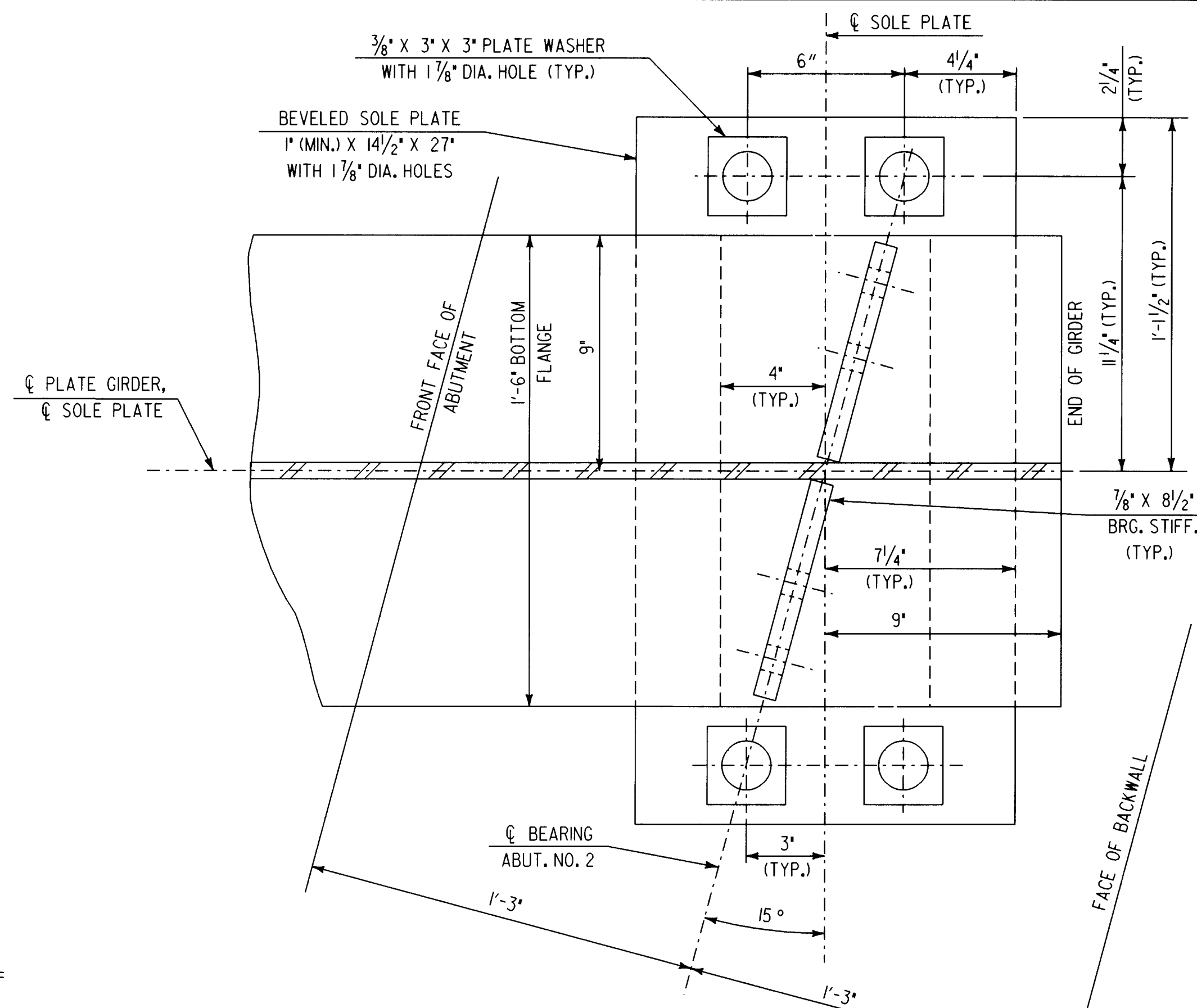
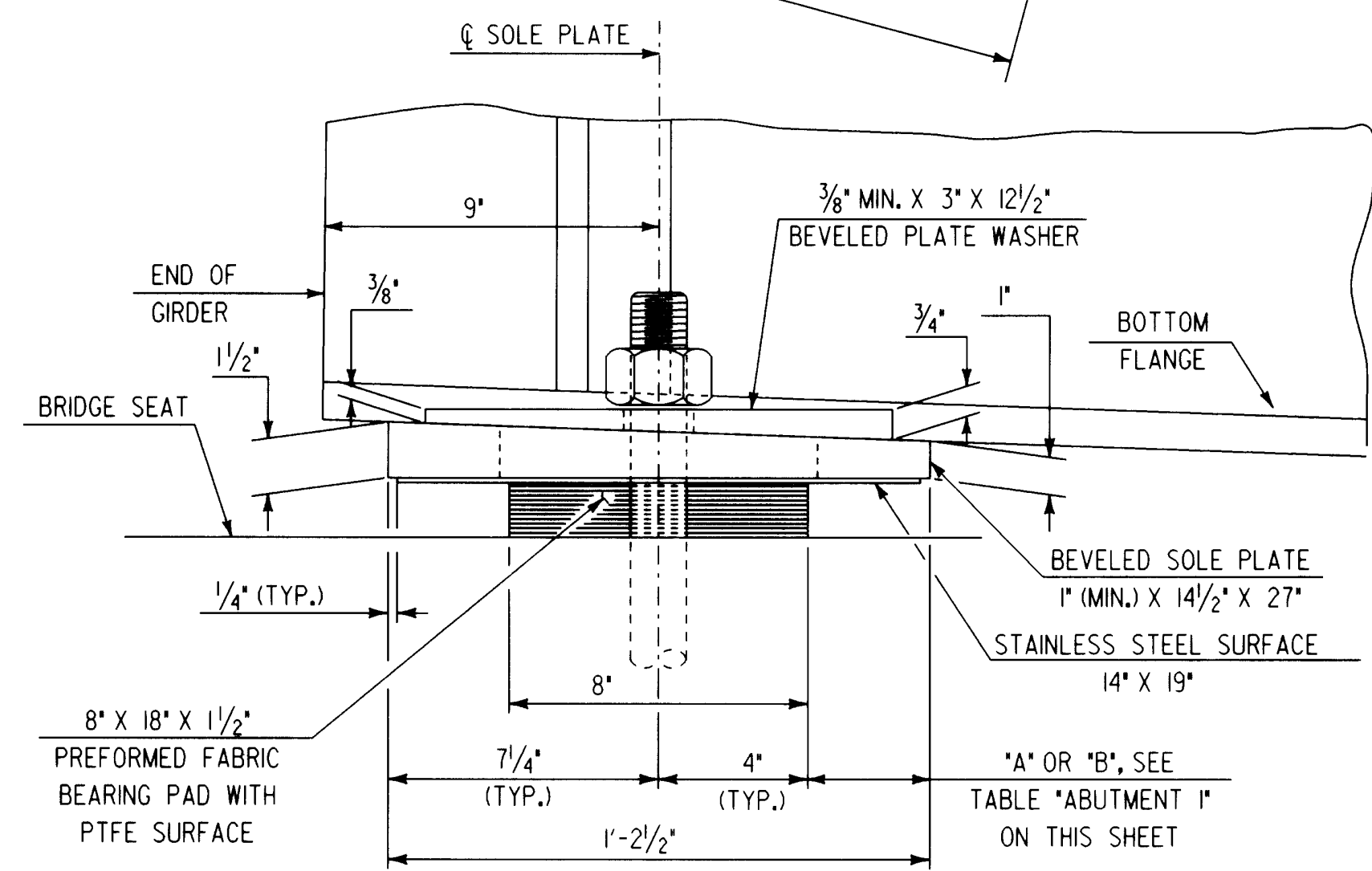


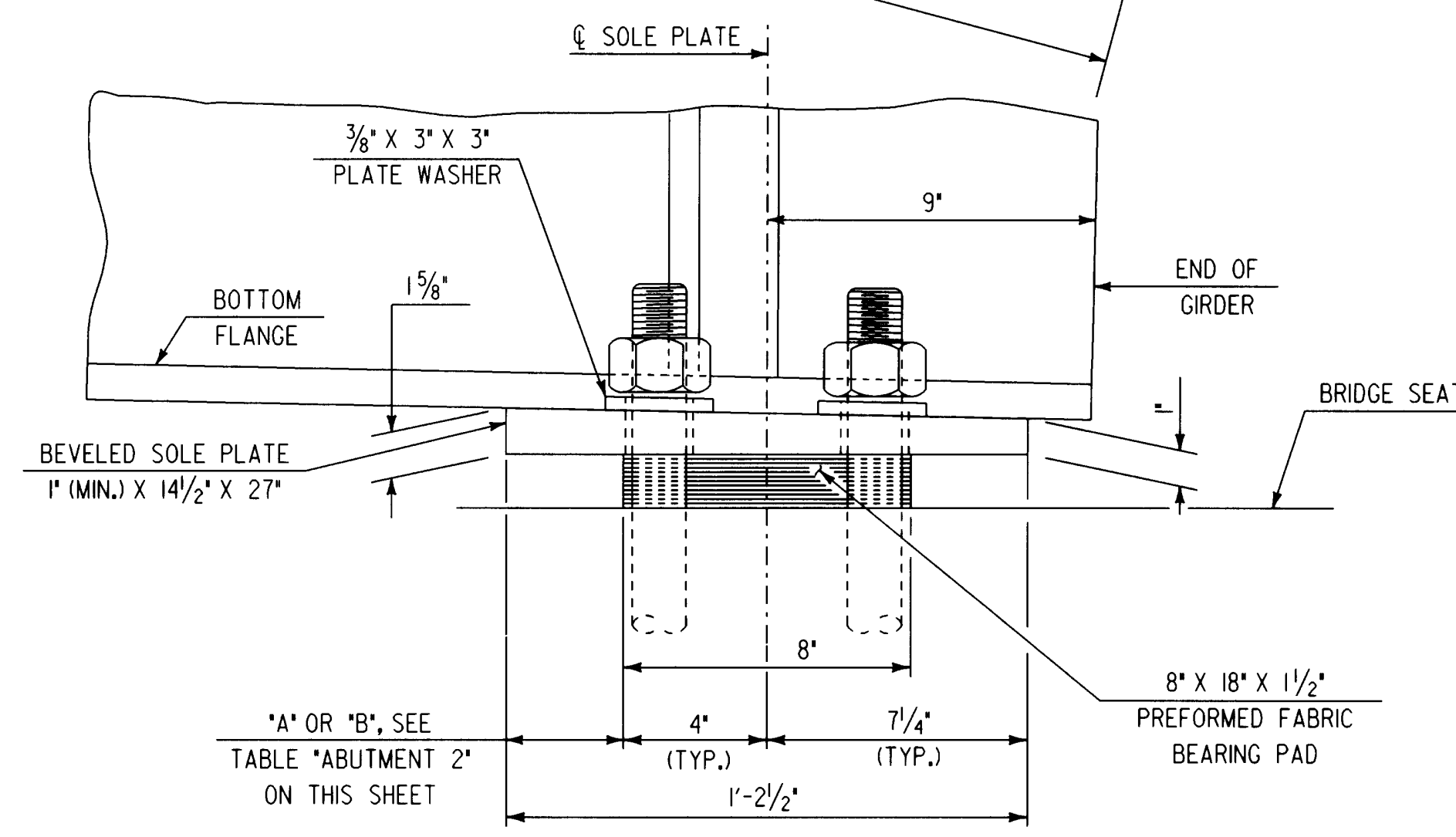
PLAN VIEW  
Scale: 3" = 1'-0"



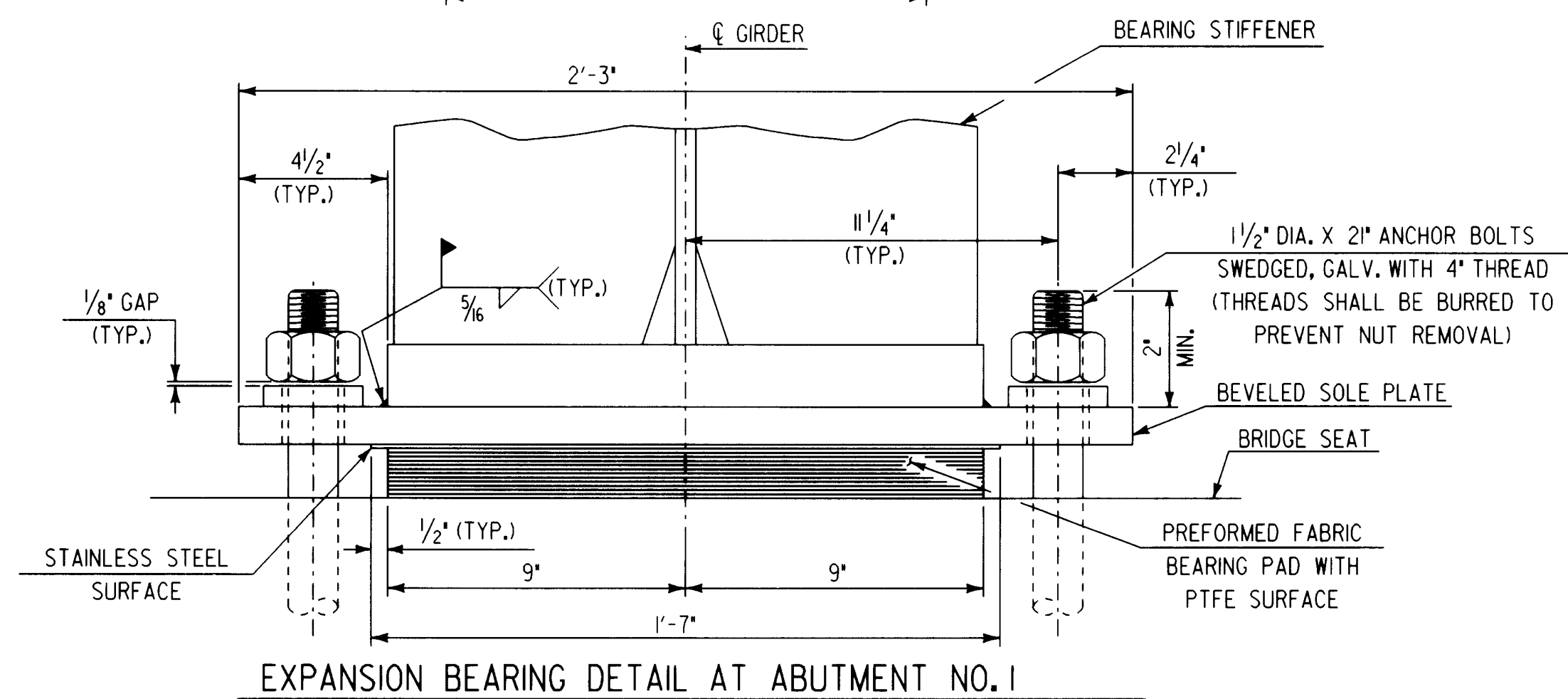
NOTE:  
SEE BRIDGE SHEET BR115 FOR NOTES PERTAINING  
TO BEARING DEVICE ASSEMBLIES.



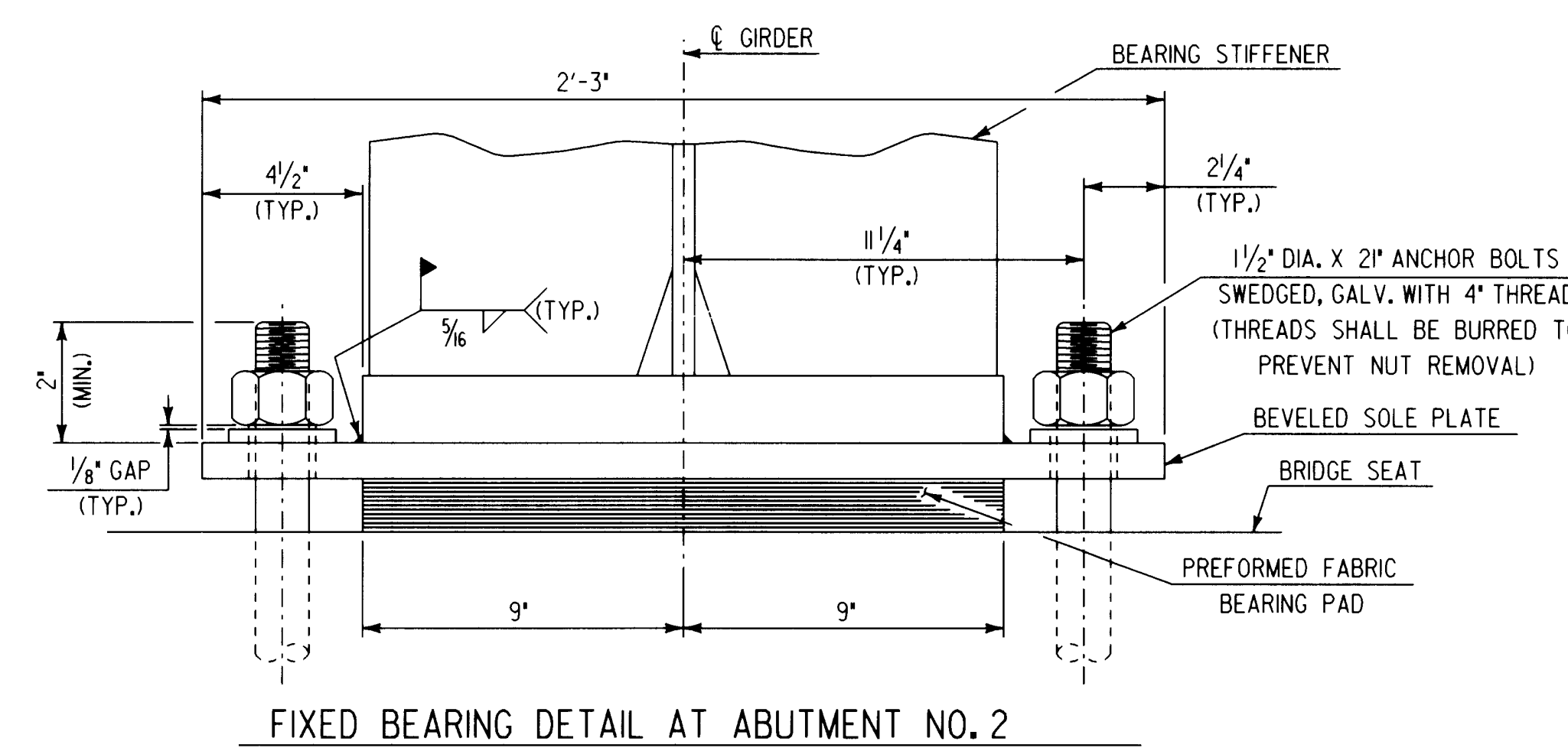
SIDE ELEVATION  
Scale: 3" = 1'-0"



ABUTMENT NO. 1		
TEMP	*A* DIST	*B* DIST
0° F	4 1/4"	4 1/4"
15° F	3 5/8"	4 3/8"
30° F	3 3/8"	4 3/8"
45° F	3 1/4"	3 5/8"
60° F	2 5/8"	3 5/8"
75° F	2 5/8"	3 5/8"
90° F	2 1/4"	2 5/8"
105° F	1 5/8"	2 5/8"



FRONT VIEW  
Scale: 3" = 1'-0"



FIXED BEARING DETAIL AT ABUTMENT NO. 2

STATE OF VERMONT  
AGENCY OF TRANSPORTATION

Town Of	SPRINGFIELD	Bridge No.	44
Highway No.	U.S. ROUTE 5	Log Sta.	
		Surv. Sta.	
U.S. ROUTE 5 OVER BLACK RIVER			
BEARING DETAIL AT ABUTMENT NO. 1 & NO. 2			
Designed By	S. BAKI	Drawn By	W. GAYNOR
Checked By	S. BAKI	Date	6-95
		Bridge Design Supervisor	P. PIERCE
		Date	5/96
PROJECT	SPRINGFIELD	PROJECT NO.	BRS-RS 0113 (8)
I.G.C. Info.	c:\usr\j9145622\spbering.dgn		
Bridge Sheet No.	BR114	Sheet	43 of 90