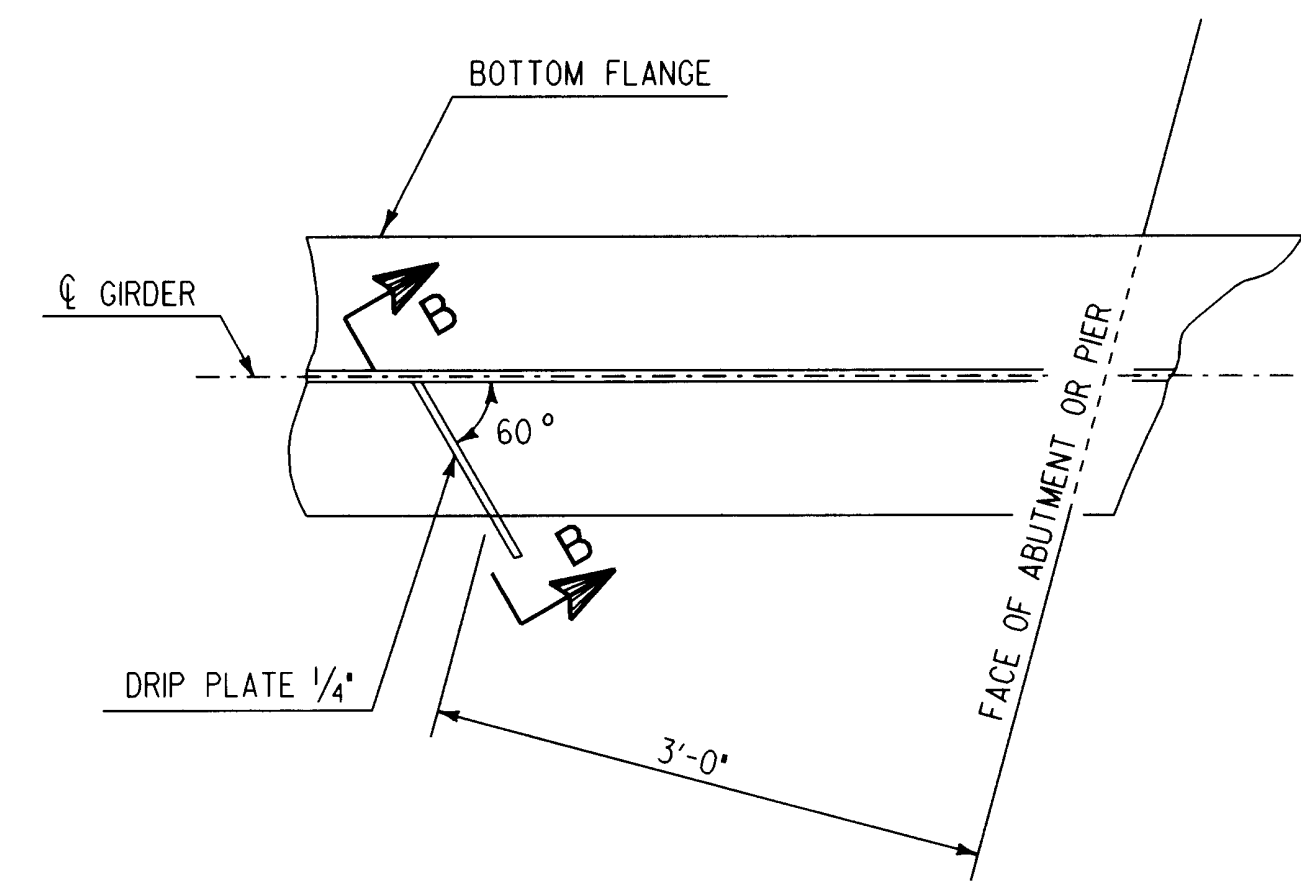


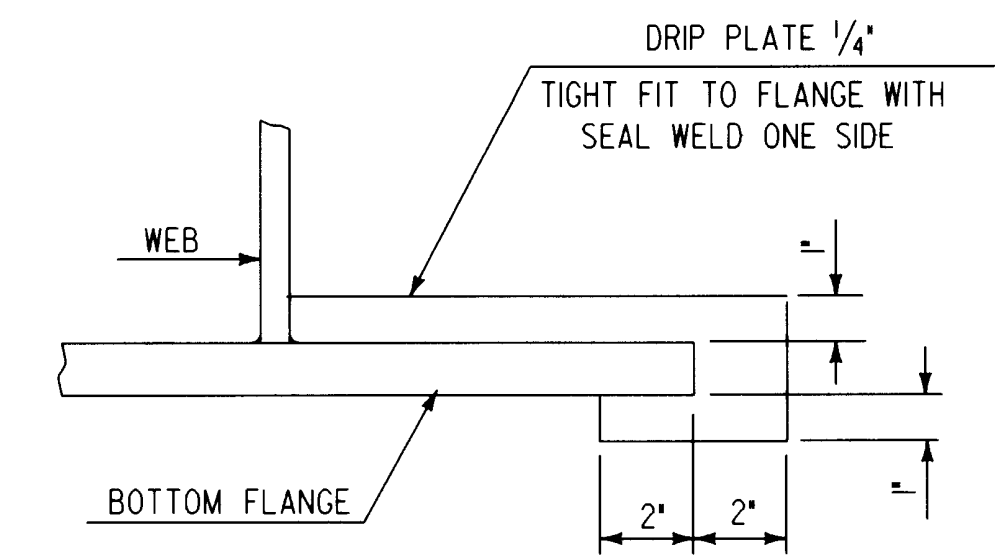
PLAN



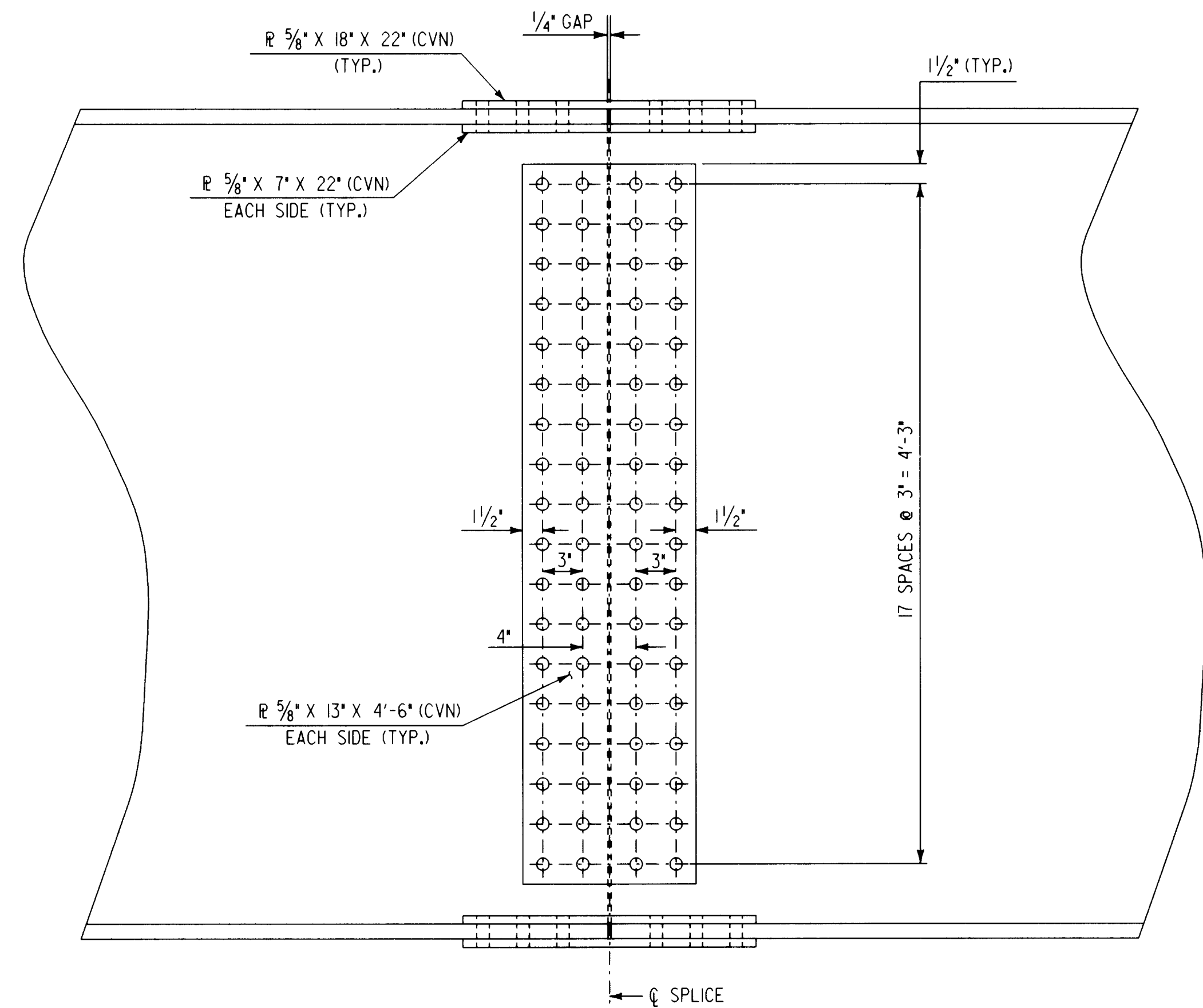
PLAN DRIP PLATE

SCALE: 1" = 1'-0"

NOTE: DRIP PLATES SHALL BE PLACED ON OUTSIDE EDGE OF FASCIA GIRDERS ON THE HIGH SIDE OF PIER AND ABUTMENT #2, SEE FRAMING PLAN ON SHT. BR111 FOR LOCATIONS.



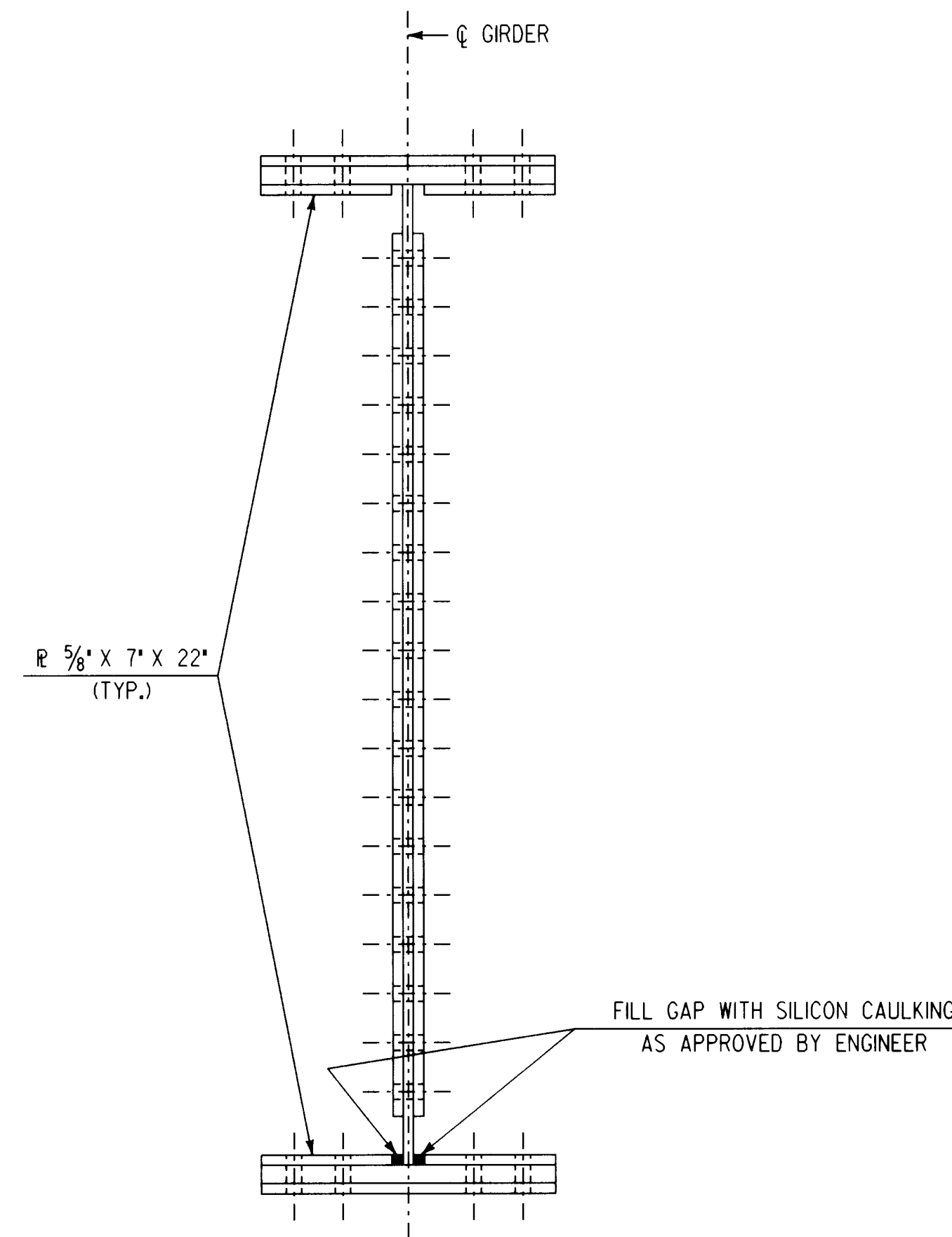
SECTION A - A  
NOT TO SCALE



ELEVATION

SPLICE DETAILS

SCALE: 1 1/2" = 1'-0"



SECTION A-A

FIELD SPLICE NOTES:

1. ALL SPLICE CONNECTIONS SHALL BE MADE USING 7/8" DIAMETER, AASHTO M164 BOLTS IN 1 1/8" DIAMETER HOLES.
2. CVN = CHARPY V - NOTCH TESTING REQUIRED.
3. CONNECTION DETAILS FOR BOLTED FIELD SPLICE SHALL HAVE A CLASS 'B' SURFACE CONDITION WITH BOLT THREADS PRECLUDED FROM SHEAR PLANE.

STATE OF VERMONT  
AGENCY OF TRANSPORTATION

Town Of	SPRINGFIELD	Bridge No.	44
Highway No.	U.S. ROUTE 5	Log Sta.	
		Surv. Sta.	
U.S. ROUTE 5 OVER BLACK RIVER			
SPLICE DETAILS			
Designed By	S. BAKI	Drawn By	W. GAYNOR
Checked By	S. BAKI	Date	6-95
		Bridge Design Supervisor	P. PIERCE
		Date	5/96
PROJECT	SPRINGFIELD		
	PROJECT NO. BRS-RS 0113 (8)		
I.G.C. Info.	c:\usr\j9145622\spfrmpln.dgn		
Bridge Sheet No.	BRIJ	Sheet	42 of 90