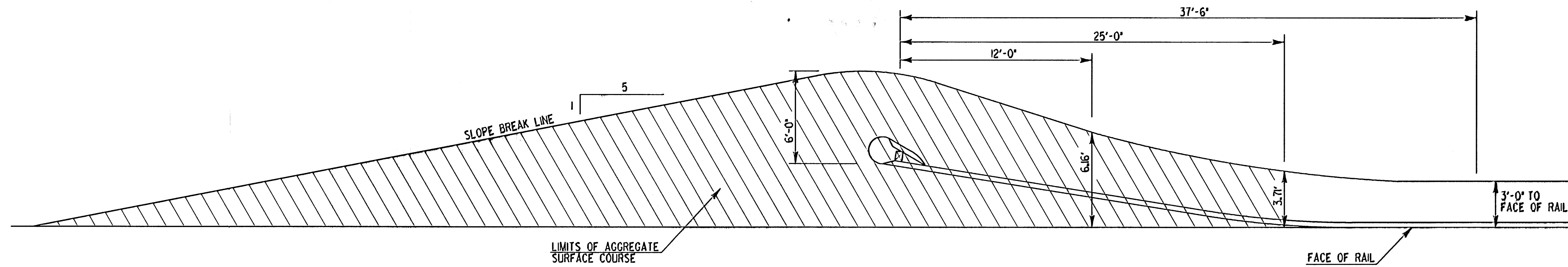
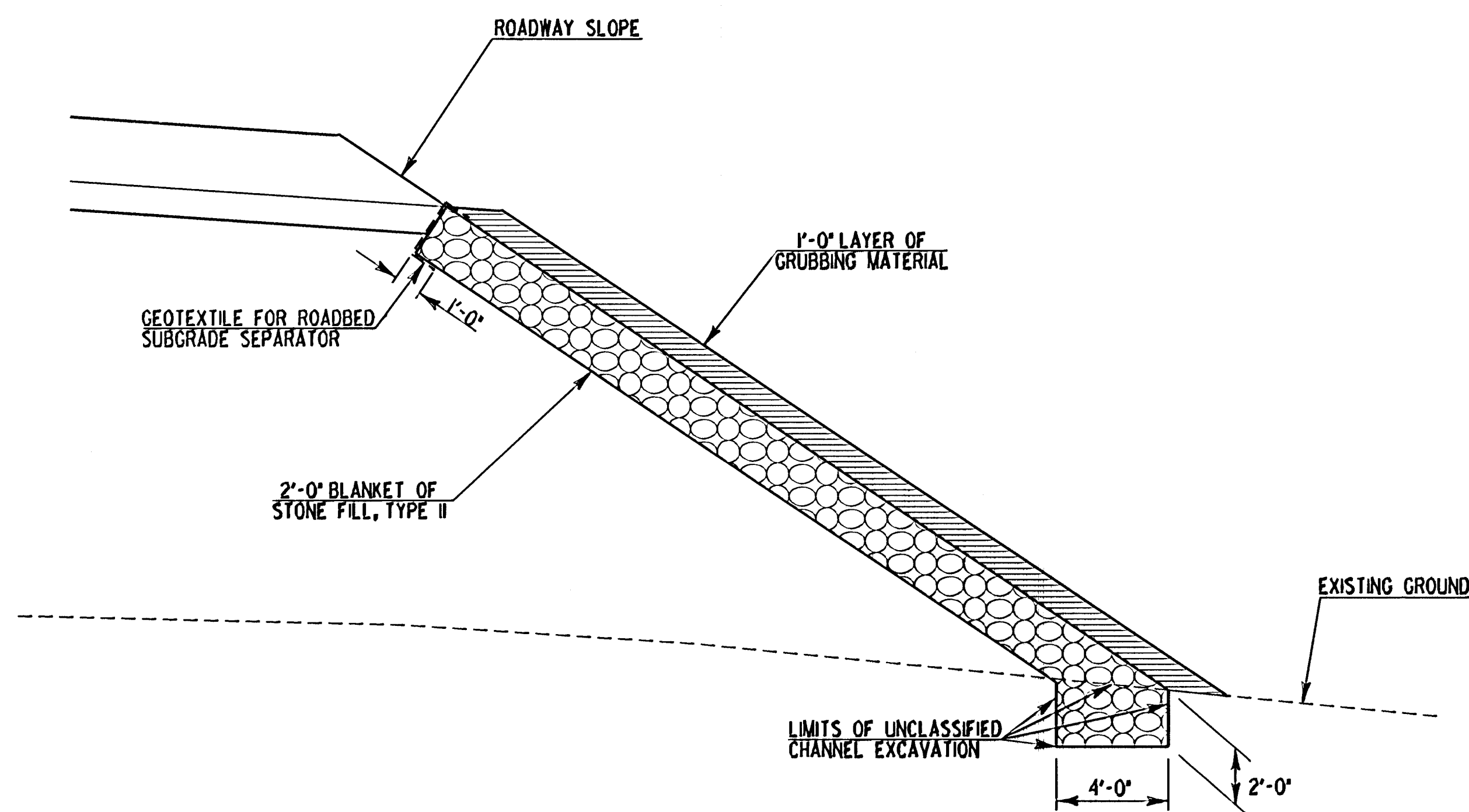


TYPICAL PAVEMENT OVERLAY  
MATCH TO EXISTING PAVEMENT  
NOT TO SCALE

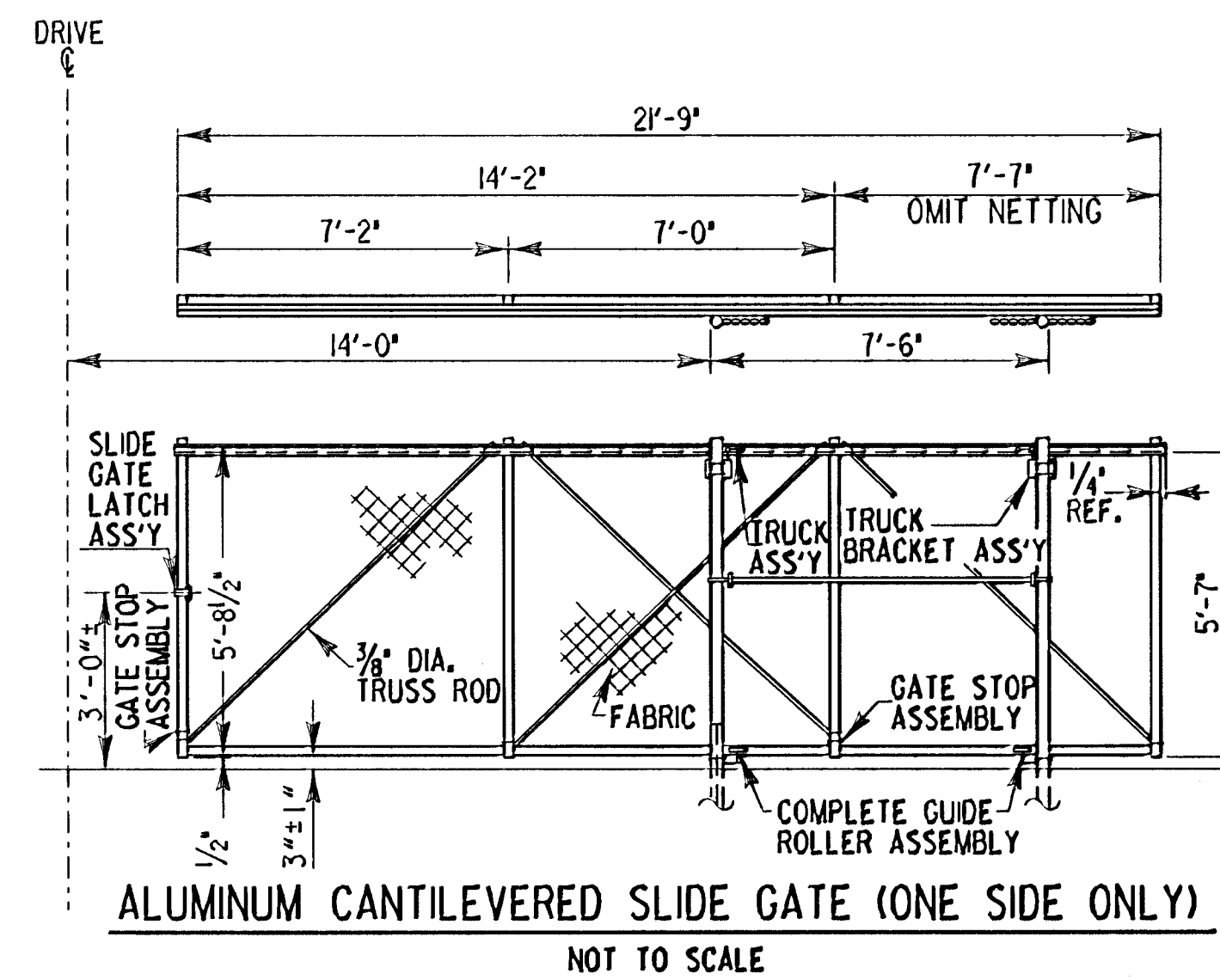
MATCH TO EXISTING PAVEMENT  
NOT TO SCALE



AGGREGATE SURFACE COURSE  
AT MELT TERMINAL DETAIL  
SCALE: 1/4"=1'-0"



EMBANKMENT STABILIZATION DETAIL  
SCALE: 1/4"=1'-0"



ALUMINUM CANTILEVERED SLIDE GATE (ONE SIDE ONLY)  
NOT TO SCALE

**STATE OF VERMONT  
AGENCY OF TRANSPORTATION**

Town Of	SPRINGFIELD	Bridge No.	44
Highway No.	U.S. ROUTE 5	Log Sta.	
		Surv. Sta.	
U.S. ROUTE 5 OVER BLACK RIVER			
MISCELLANEOUS DETAILS			
Designed By	JRM	Drawn By	RR/CJM
Checked By	RAL	Date	3/95
		Bridge Design Supervisor	P. PIERCE
		Date	
PROJECT	SPRINGFIELD		
	BR3-R5 0113 (8)		
I.G.C. Info.	/usr5/3945622/miscdet.dgn		
Bridge Sheet No.		Sheet	26 of 90