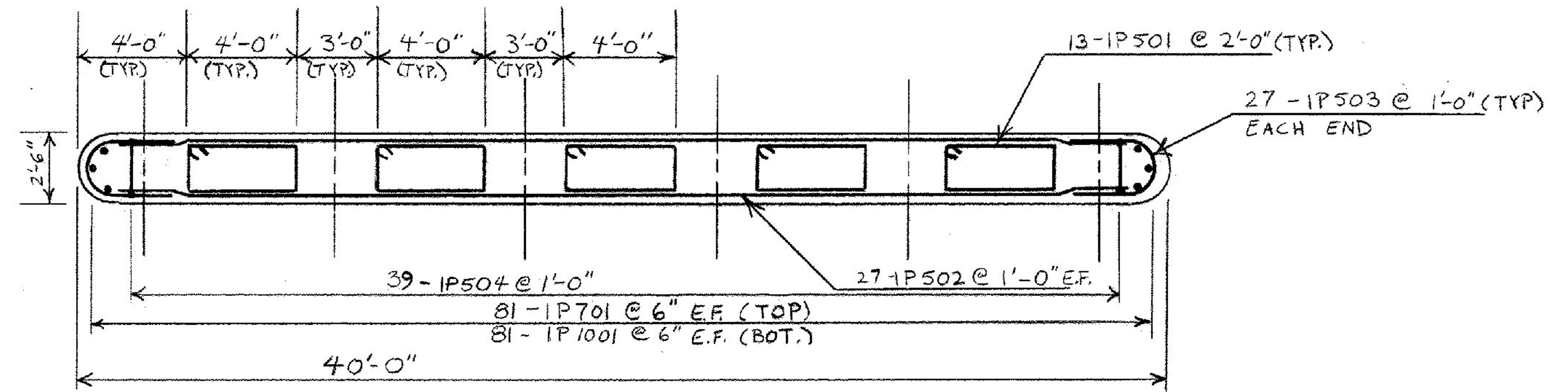
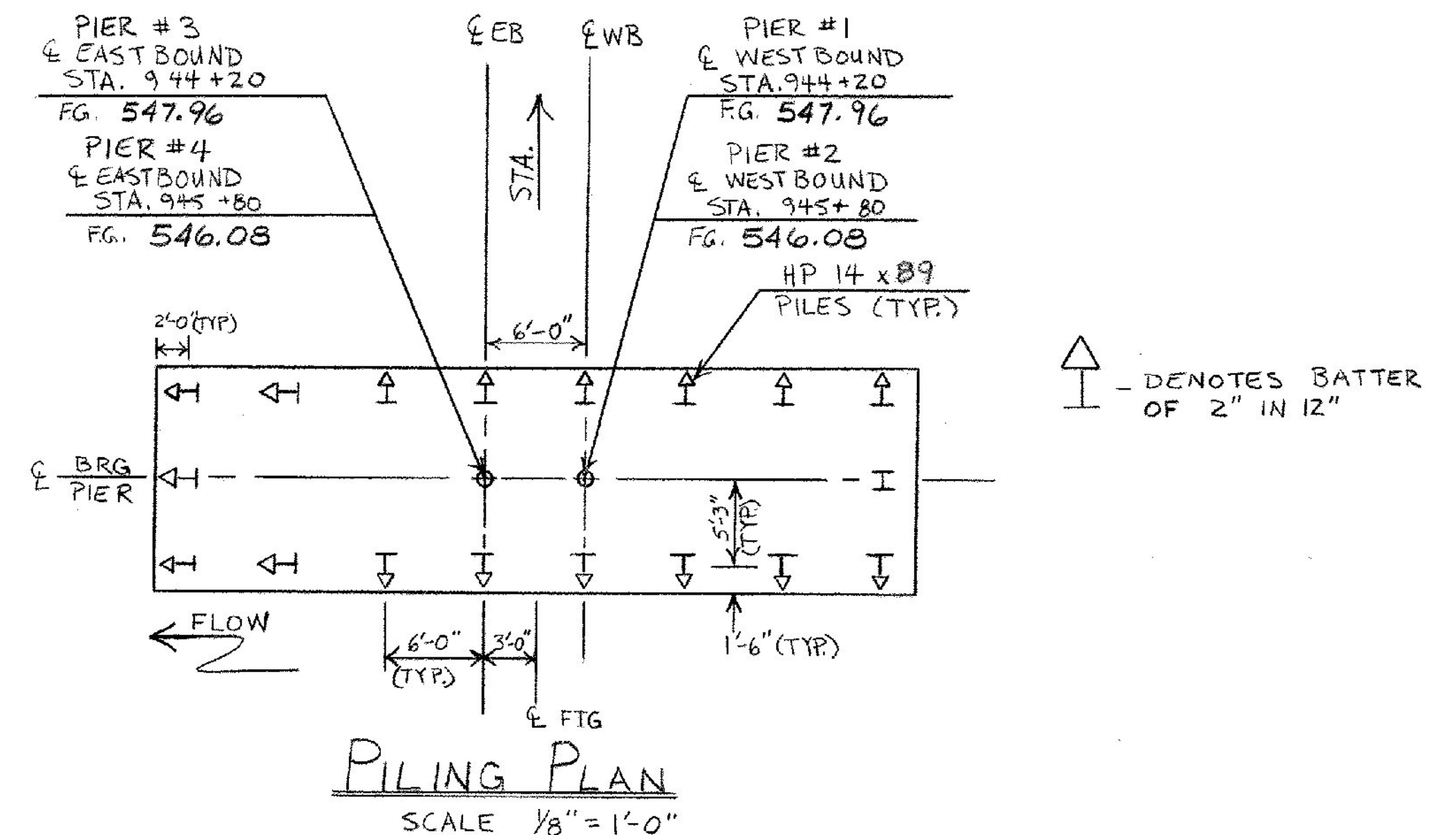


PIER PLAN
SCALE 1/4" = 1'-0"

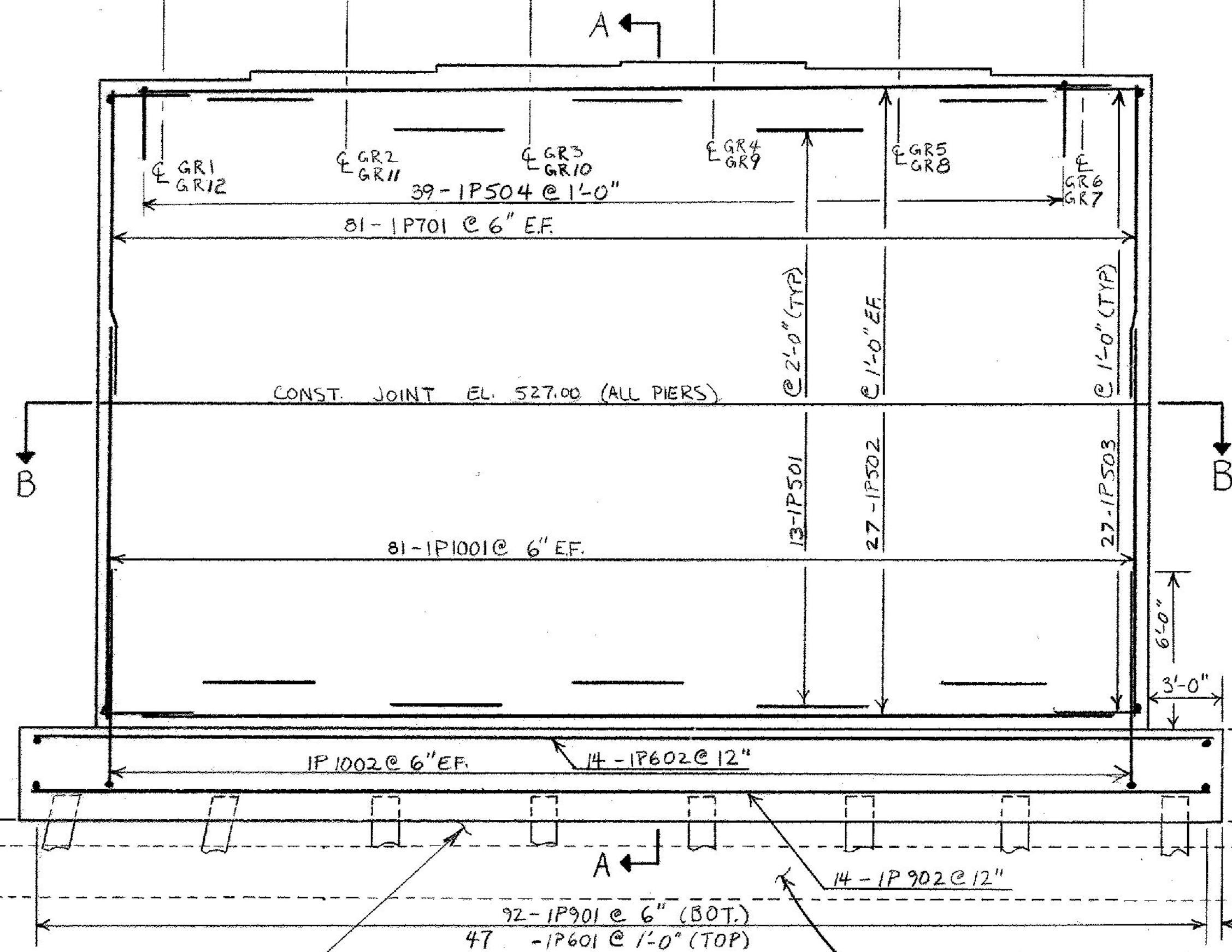


SECTION B-B
SCALE 1/4" = 1'-0"

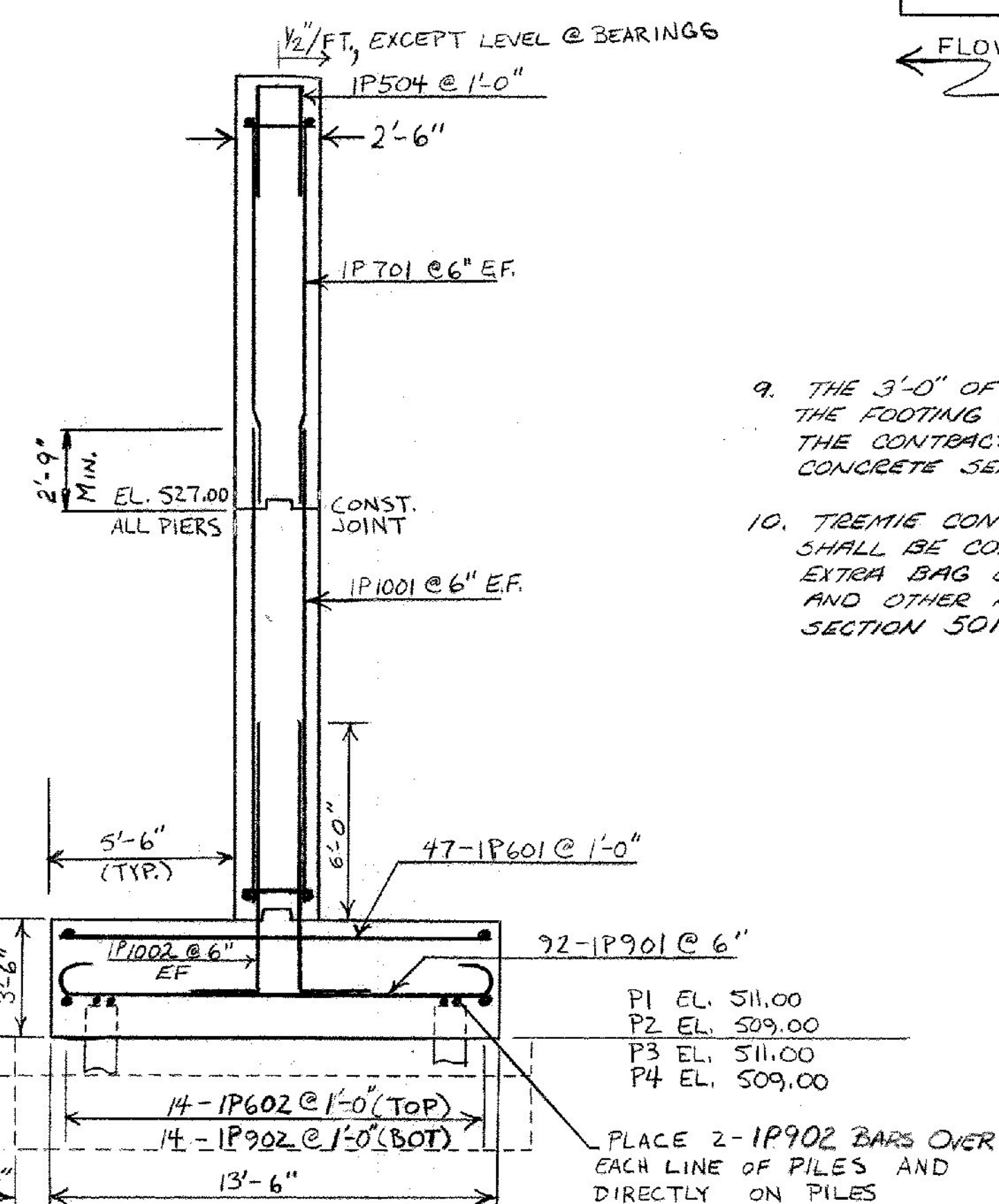


PILING PLAN
SCALE 1/8" = 1'-0"

WB P 1	EL.	540.68	540.97	541.21	541.29	541.19	540.93
WB P 2	EL.	538.80	539.09	539.33	539.41	539.31	539.05
EB P 3	EL.	540.68	540.97	541.21	541.29	541.19	540.93
EB P 4	EL.	538.80	539.09	539.33	539.41	539.31	539.05



PIER ELEVATION
SCALE 1/4" = 1'-0"



SECTION A-A
SCALE 1/4" = 1'-0"

9. THE 3'-0" OF GRANULAR MATERIAL UNDER THE FOOTING MAY BE OMITTED ONLY IF THE CONTRACTOR ELECTS TO PLACE A CONCRETE SEAL.
10. TREMIE CONCRETE FOR A SEAL, IF USED, SHALL BE CONCRETE CLASS C PLUS ONE EXTRA BAG OF CEMENT PER CUBIC YARD, AND OTHER REQUIREMENTS SPECIFIED IN SECTION 501.10 FOR TREMIE CONCRETE.

NOTES:

- PIER # 1 DETAILS SHOWN. PIER # 2 SIMILAR. PIER # 3 AND PIER # 4 SIMILAR, BUT OPPOSITE HAND.
- HP 14x89 PILING SHALL BE DRIVEN TO REFUSAL ON LEDGE AND BATTERED AS INDICATED. DESIGN PILE LOAD 193 KIIPS.
- GRANULAR MATERIAL LOCATED BELOW THE PIER FOOTINGS SHALL BE COMPACTED TO 95% DENSITY, PER SPECIFICATION 203.10d.
- CONCRETE IN PIER SHALL BE "CONCRETE, CLASS B".
- REINFORCING STEEL CLEAR COVER SHALL BE 3 INCH MINIMUM IN FOOTING AND STEM.
- SEE STD. DWG. SCB-D6-73 FOR CONSTRUCTION JOINT DETAILS.
- SEE STD. DWG. SCB-D1-75, NOTES 7 AND 9.
- SEE SHEET BR 606 FOR NOTES ON THE COFFERDAM.

P1 EL.	511.00
P2 EL.	509.00
P3 EL.	511.00
P4 EL.	509.00

P1 EL.	511.00
P2 EL.	509.00
P3 EL.	511.00
P4 EL.	509.00

1'-0" GRANULAR MATERIAL MEETING SPECIFICATIONS OF SUBSECTION 70A.03C PAYMENT TO BE SUBSIDIARY TO THE COFFERDAMS.

2'-0" GRANULAR MATERIAL MEETING SPECIFICATIONS OF SUB-SECTION 70A.11 AND PAYMENT TO BE SUBSIDIARY TO THE COFFERDAMS.

PLACE 2-IP902 BARS OVER EACH LINE OF PILES AND DIRECTLY ON PILES

STATE OF VERMONT	
AGENCY OF TRANSPORTATION	
TOWN OF RUTLAND	Bridge No. 6
HIGHWAY NO. U.S. 4	Log Sta. 945+00
PIER DETAILS	
U.S. 4 OVER OTTER CREEK	
Designed by A. ELWOOD	Drawn by S. JUNG
Checked by A. Elwood date 8-88	Bridge Design Supervisor R.S. HAUPT date
PROJECT WEST RUTLAND - RUTLAND	PROJECT NO. F020-1(10)
Bridge Sheet No. BR 618	Sheet 136 of 459