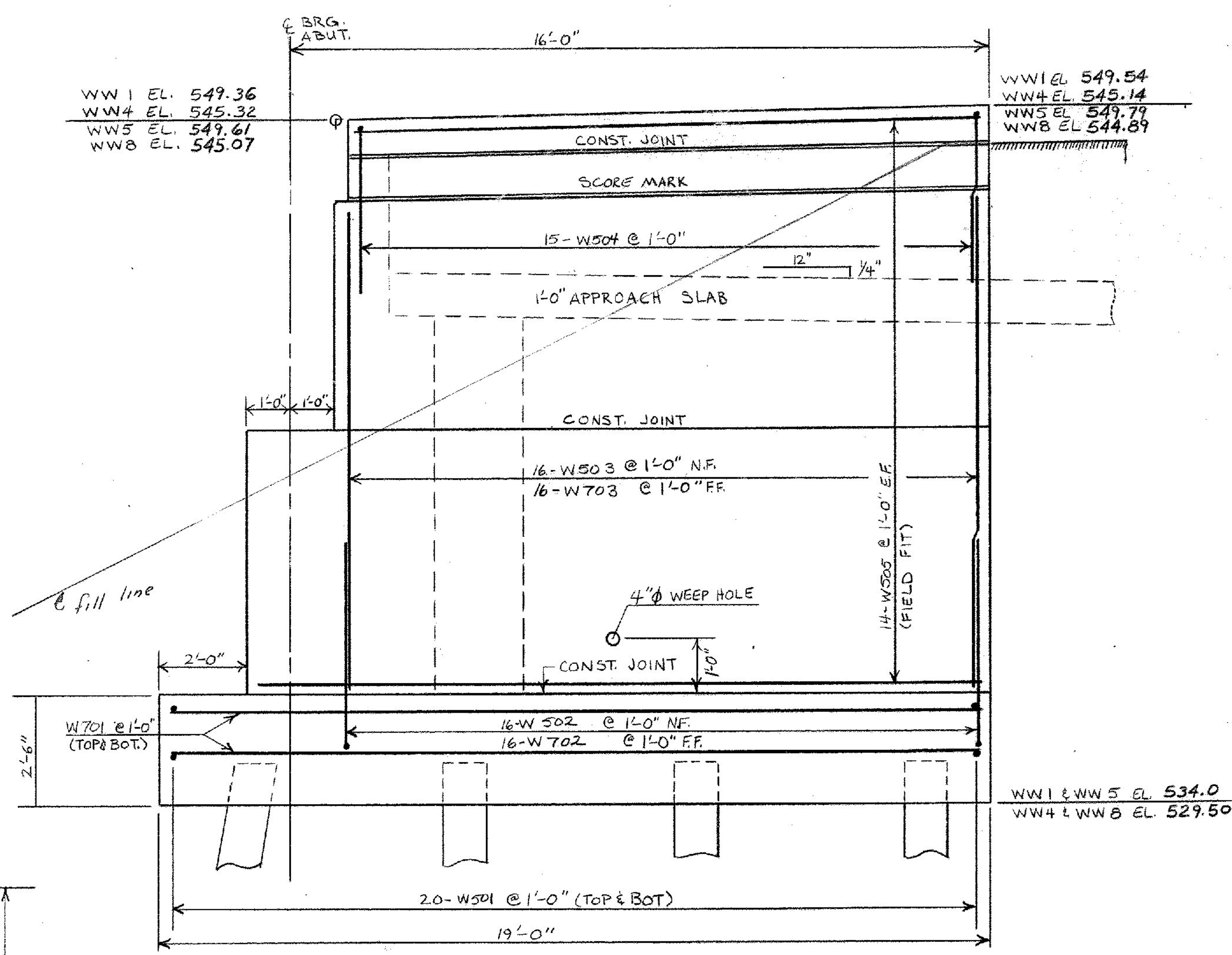
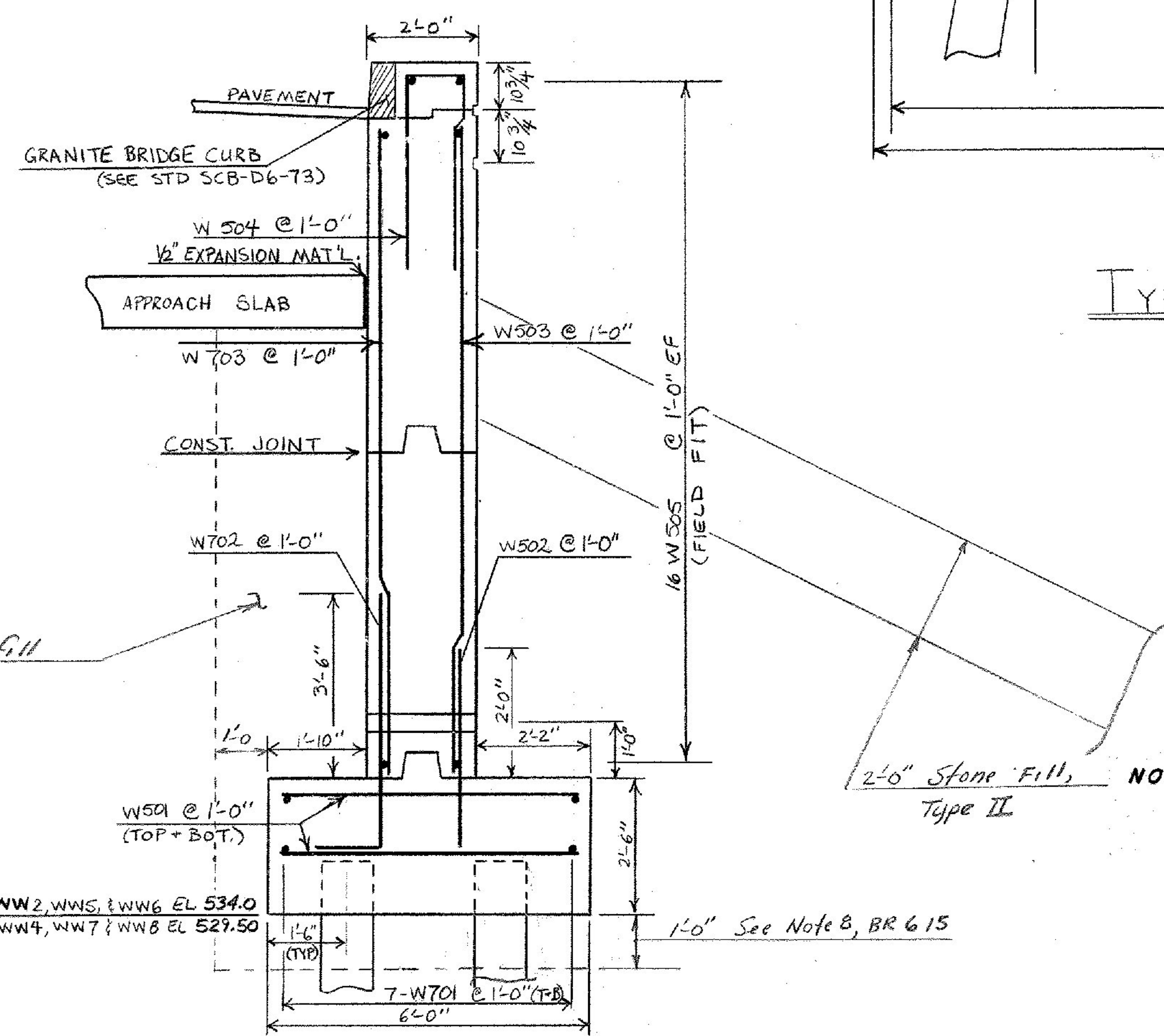


TYPICAL WINGWALL ELEVATION
SCALE 1/2" = 1'-0"



TYPICAL WINGWALL ELEVATION
SCALE 1/2" = 1'-0"



SECTION B-B
SCALE 1/2" = 1'-0"

NOTES
1) FOR NOTES SEE BR SH. 615

NOTE: N.F. = NEAR FACE
F.F. = FAR FACE
E.F. = EACH FACE

STATE OF VERMONT	
AGENCY OF TRANSPORTATION	
TOWN OF RUTLAND	Bridge No. 6
HIGHWAY NO. US 4	Log Sta.
Surv. Sta. 945+00	
WING WALL DETAILS	
US 4, BRG OVER OTTER CREEK	
Designed by A. ELWOOD	Drawn by S. JUNG
Checked by R.P. GENDRON date 7-1-83	Bridge Design Supervisor R.S. HAUPT date
PROJECT WEST RUTLAND-RUTLAND	PROJECT NO. FO20-1(10)
Bridge Sheet No. BR 617	Sheet 135 of 459

BRUNING 44-131 50304
BR-6 '83