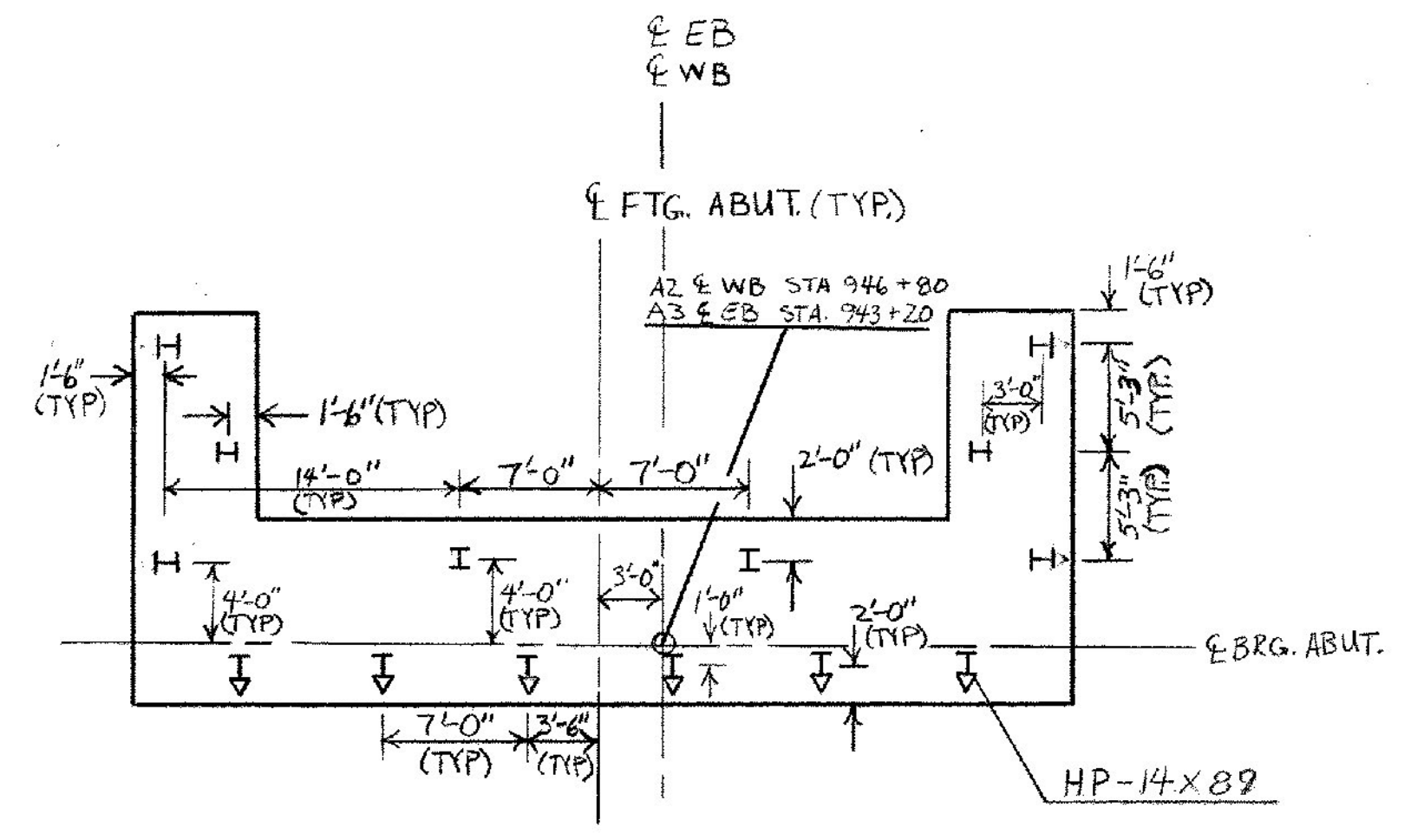
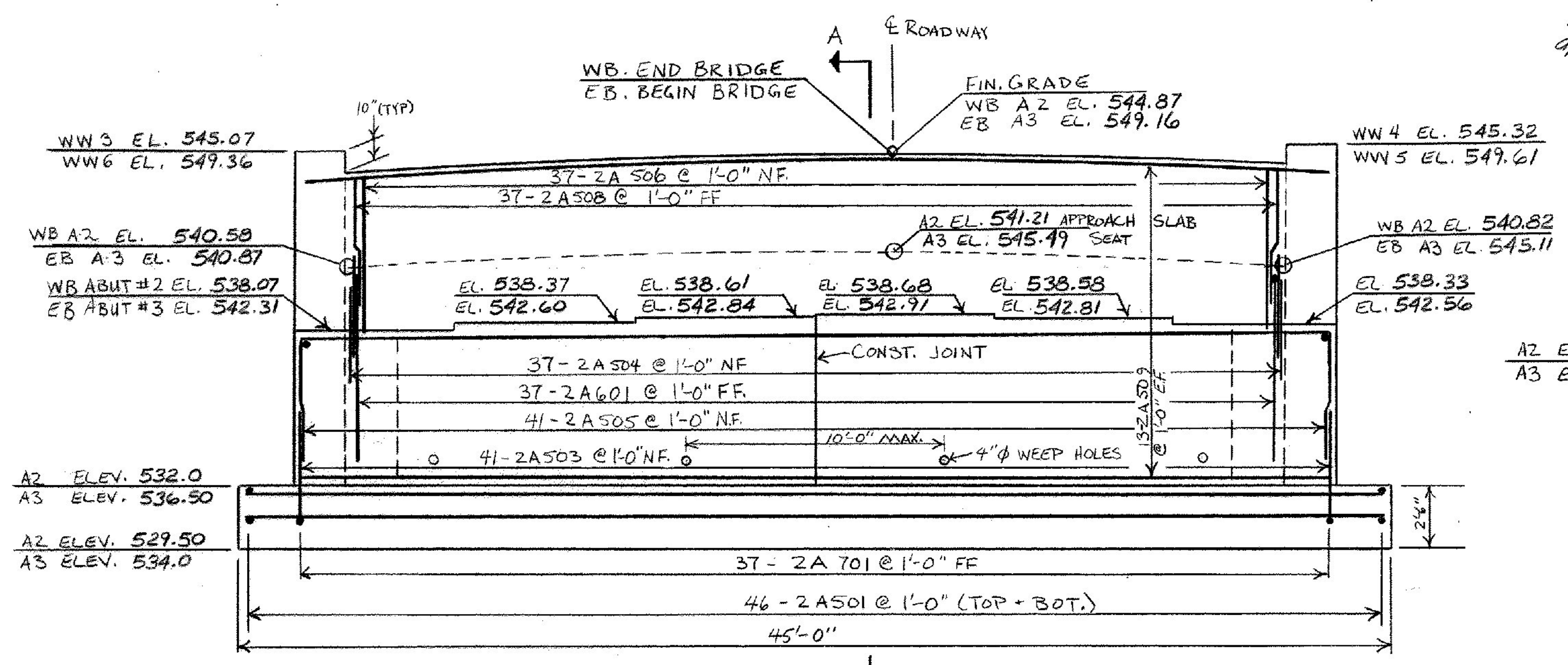


**ABUTMENT #2 & #3 PLAN**  
SCALE 1/4" = 1'-0"

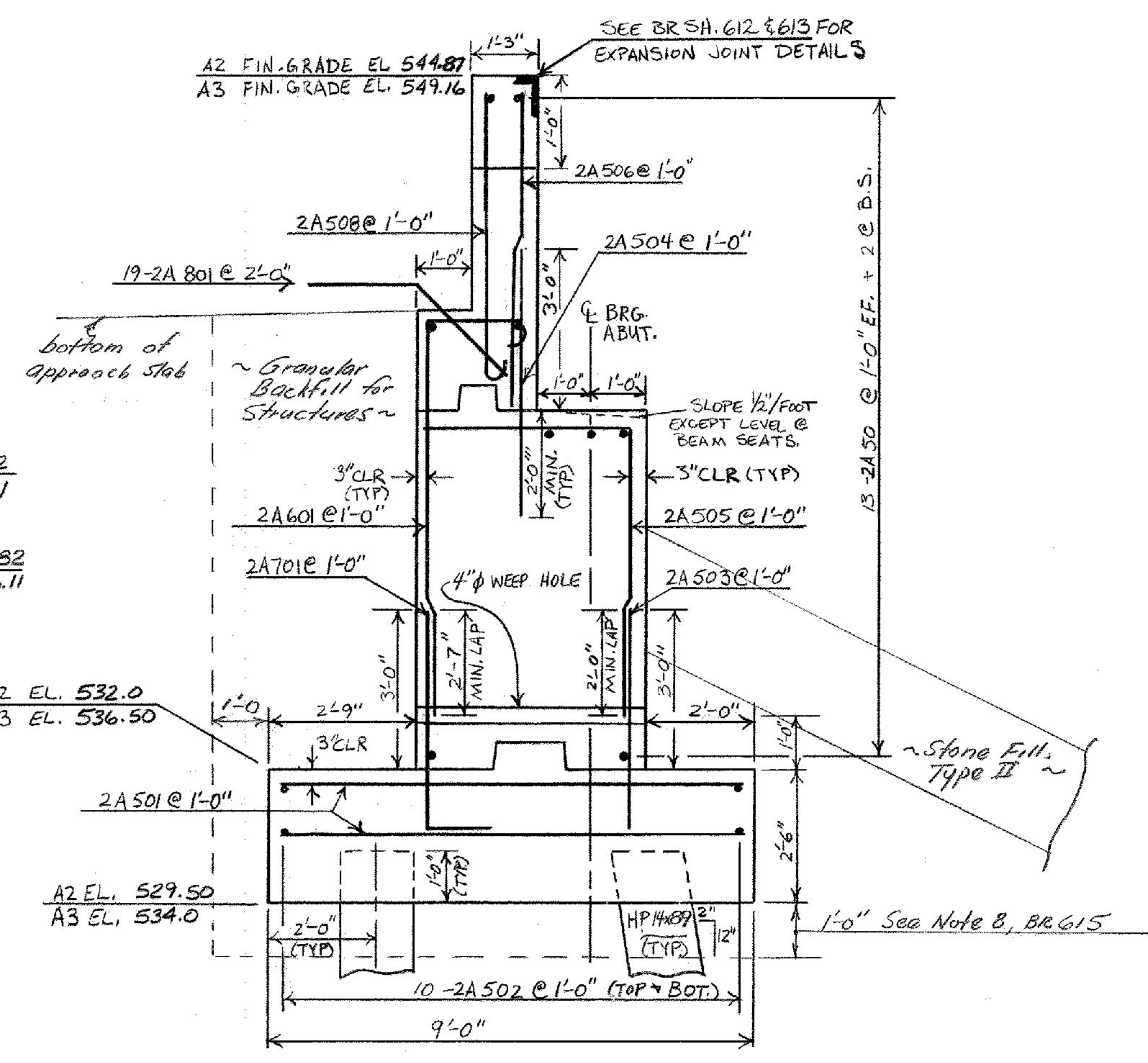


**PILING PLAN**  
SCALE 1/8" = 1'-0"

I - DENOTES 2" ON 12" BATTER



**ABUTMENT #2 & #3 ELEVATION**  
SCALE 1/4" = 1'-0"



**SECTION A-A**  
SCALE 1/2" = 1'-0"

**NOTES**

- 1) ABUTMENT #2 DETAILS SHOWN. ABUTMENT #3 SIMILAR. PREFIX REINFORCEMENT WITH 3A.
- 2) FOR ADDITIONAL NOTES SEE BR. SH. 615

<b>STATE OF VERMONT</b>	
<b>AGENCY OF TRANSPORTATION</b>	
TOWN OF <b>RUTLAND</b>	Bridge No. <b>6</b>
HIGHWAY NO. <b>U.S. 4</b>	Log Sta.
	Surv. Sta. <b>945+00</b>
<b>ABUTMENT #2 &amp; #3 DETAILS</b>	
<b>U.S. 4 BRG OVER OTTER CREEK</b>	
Designed by <b>A. ELWOOD</b>	Drawn by <b>S. JUNG</b>
Checked by <b>A. Elwood</b> date <b>8-83</b>	Bridge Design Supervisor <b>R.S. HAUPT</b> date
PROJECT <b>WEST RUTLAND -RUTLAND</b>	PROJECT NO. <b>F020-1(10)</b>
Bridge Sheet No. <b>BR.616</b>	Sheet <b>134</b> of <b>459</b>