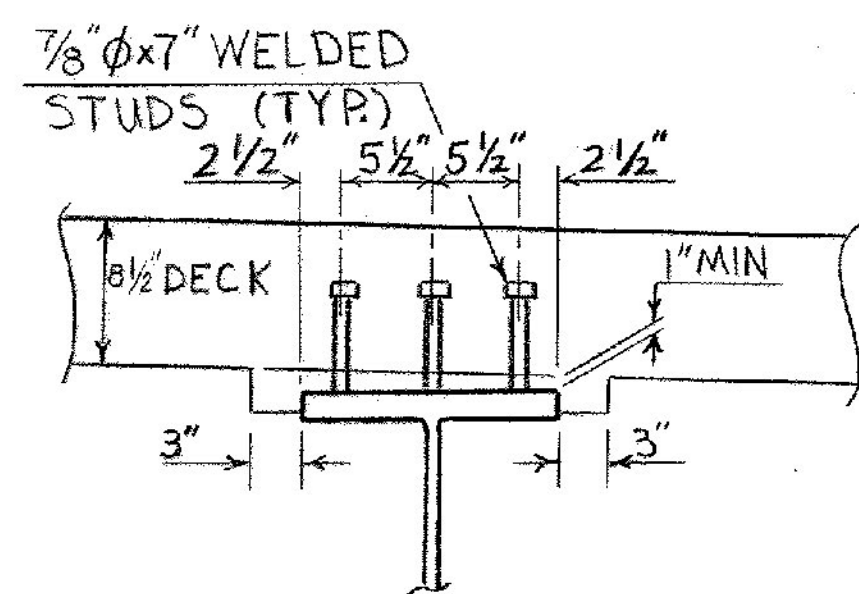


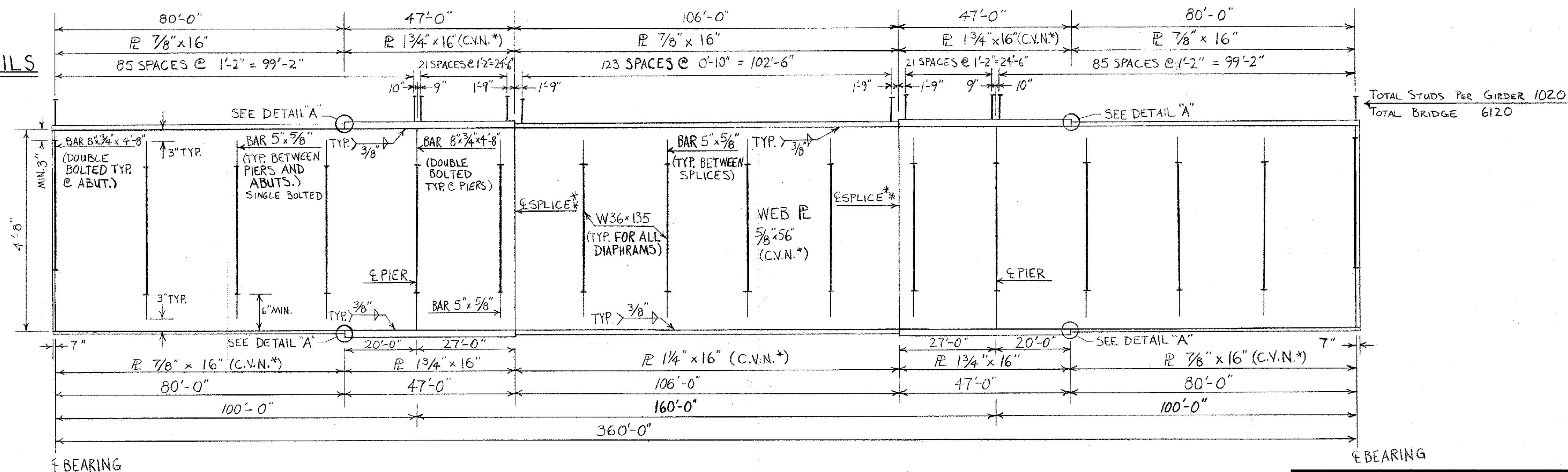
**FRAMING PLAN**

SCALE : 1/16" = 1'-0"



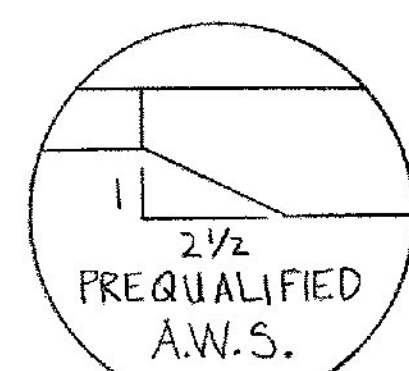
**BEAM HAUNCH AND SHEAR CONNECTOR DETAILS**

SCALE : 1" = 1'-0"



**GIRDER ELEVATION**

SCALES : HORIZ. 1/16" = 1'-0"  
VERT. 3/4" = 1'-0"



**DETAIL "A"**  
N.T.S.

\* PLATES MARKED BY "C.V.N." SHALL BE TESTED BY THE CHARPY V-NOTCH TEST AS SPECIFIED IN STANDARD SPECIFICATION SECTION 714.03.

\*\* SEE BR. S.H. BR610 FOR SPLICE DETAILS

**STATE OF VERMONT  
AGENCY OF TRANSPORTATION**

TOWN OF RUTLAND	Bridge No. 6
HIGHWAY NO. U.S. 4	Log Sta. Surv. Sta. 945+00
FRAMING PLAN AND GIRDER ELEV. U.S. 4 OVER OTTER CREEK	
Designed by G.V. SPILAK	Drawn by S. JUNG
Checked by R.P. GENDRON date 6-16-83	Bridge Design Supervisor R.S. HAUPT date 8-83
PROJECT WEST RUTLAND-RUTLAND	PROJECT NO. FO20-1(10)
Bridge Sheet No. BR607	Sheet 125 of 459