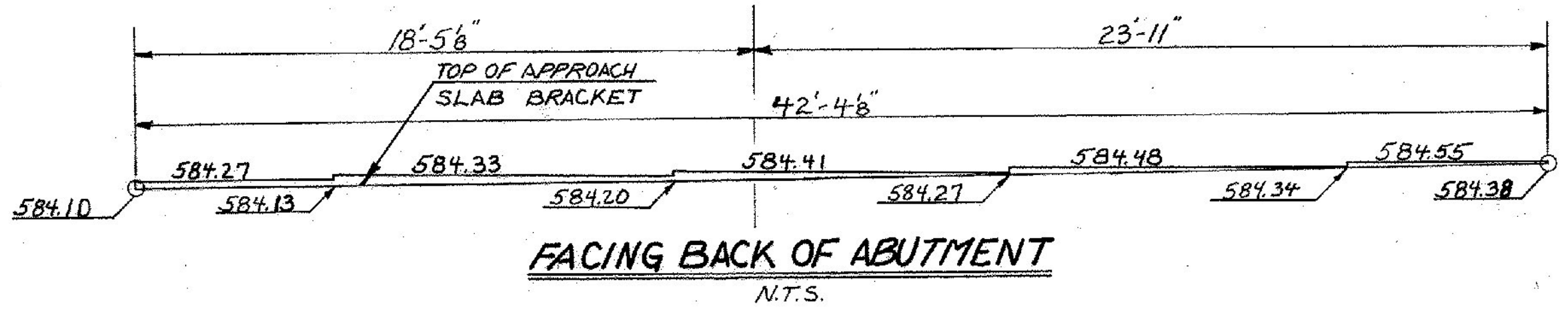
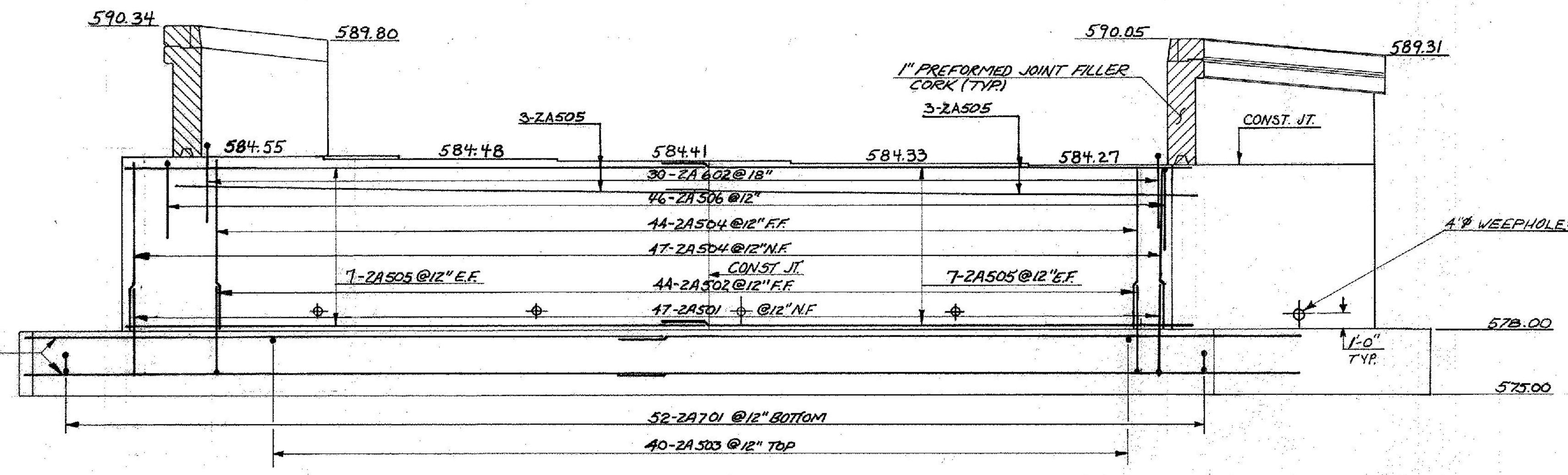


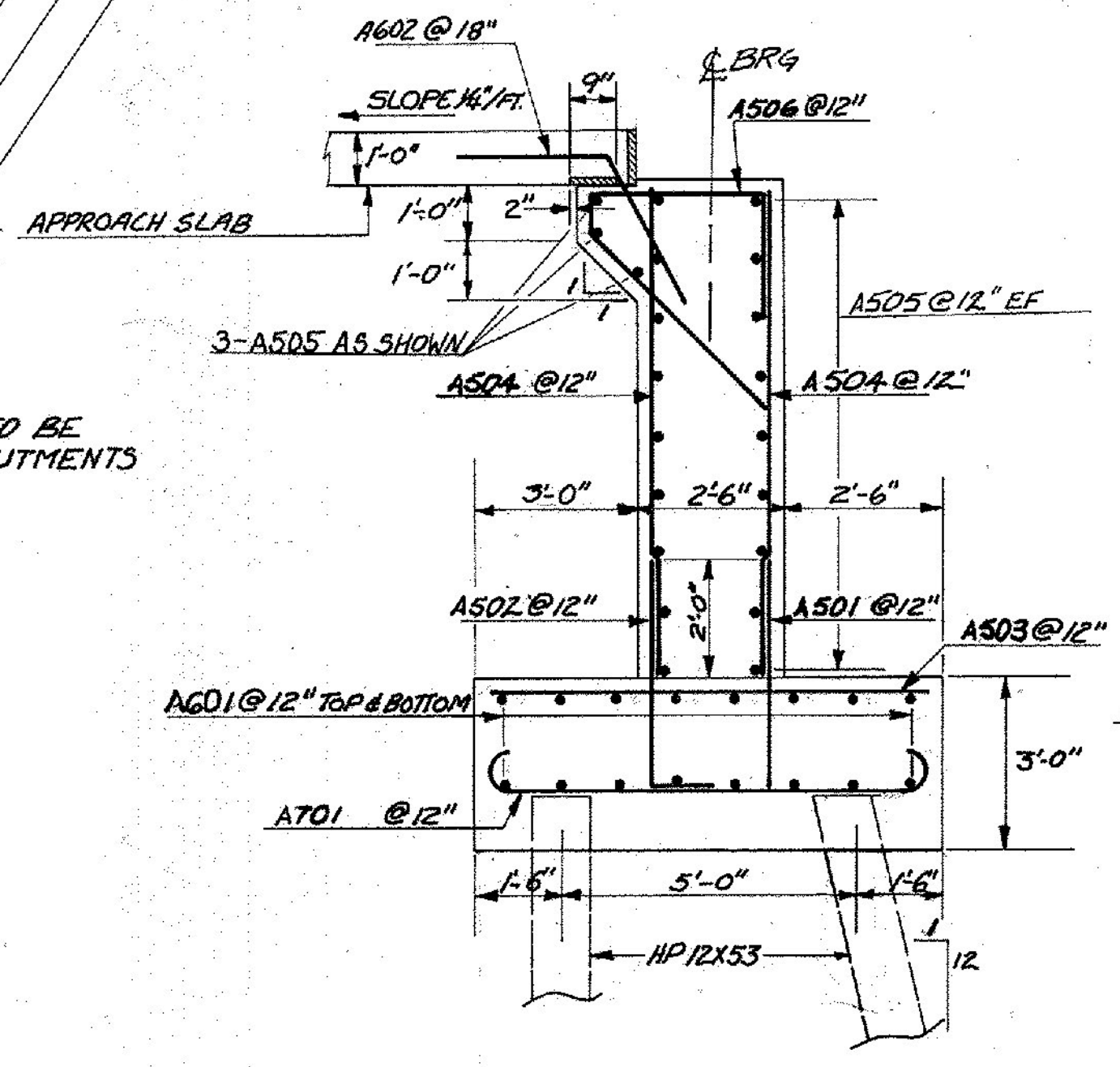
PLAN
N.T.S.



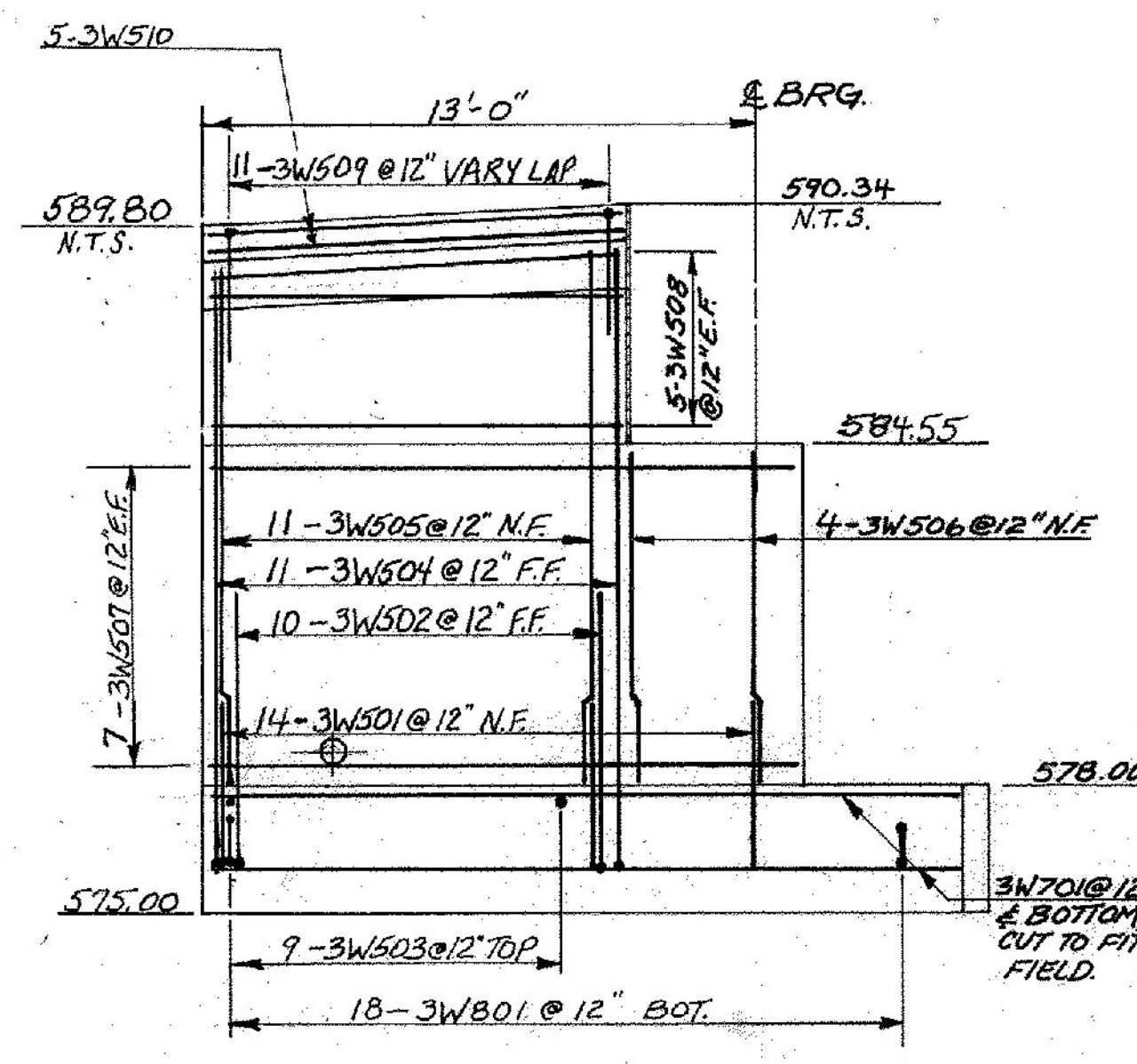
FACING BACK OF ABUTMENT
N.T.S.



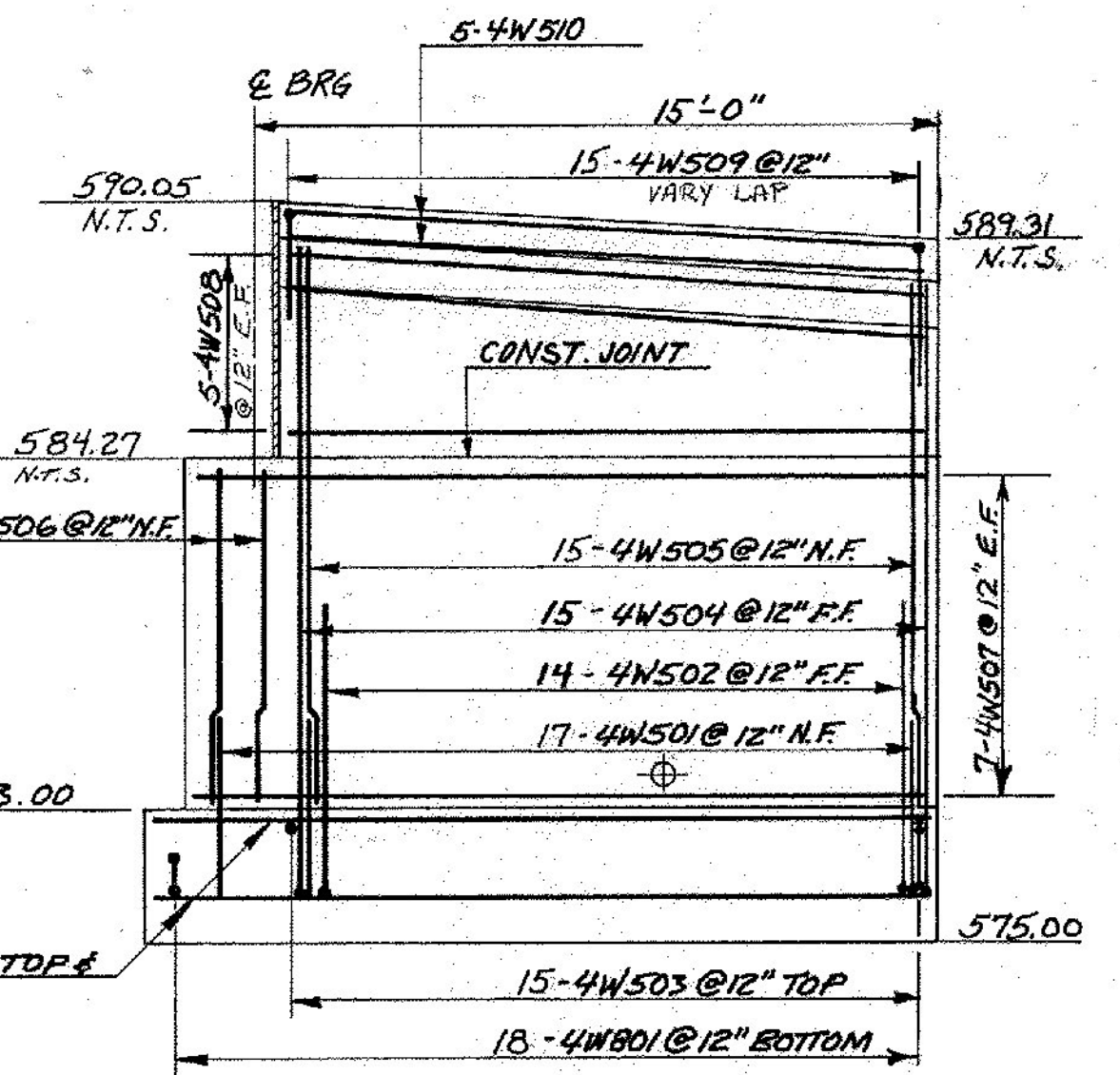
ABUTMENT #2 ELEVATION
N.T.S.



TYPICAL SECTION
ABUTMENTS 2 & 4
SCALE: 3/8" = 1'-0"



W.W.#3 ELEVATION
SCALE: 1/4" = 1'-0"



W.W.#4 ELEVATION
SCALE: 1/4" = 1'-0"

FOR TYPICAL W.W. SECTION SEE SHEET BR 513.

STATE OF VERMONT	
AGENCY OF TRANSPORTATION	
TOWN OF RUTLAND	Bridge No. 5
HIGHWAY NO. U.S. RTE. 4 W.B.	Log Sta. 930+81
U.S. RTE. 4 W.B. OVER DORR DRIVE	
ABUTMENT #2 DETAILS	
Designed by J.B. MCCARTHY	Drawn by L.C. GATES
Checked by J.B. MCCARTHY date 8/83	Bridge Design Supervisor F.W. BOLKUM date 12/83
PROJECT WEST RUTLAND - RUTLAND	PROJECT NO. F-EGC-F-020-1100
Bridge Sheet No. BR 514	Sheet 104 of 459