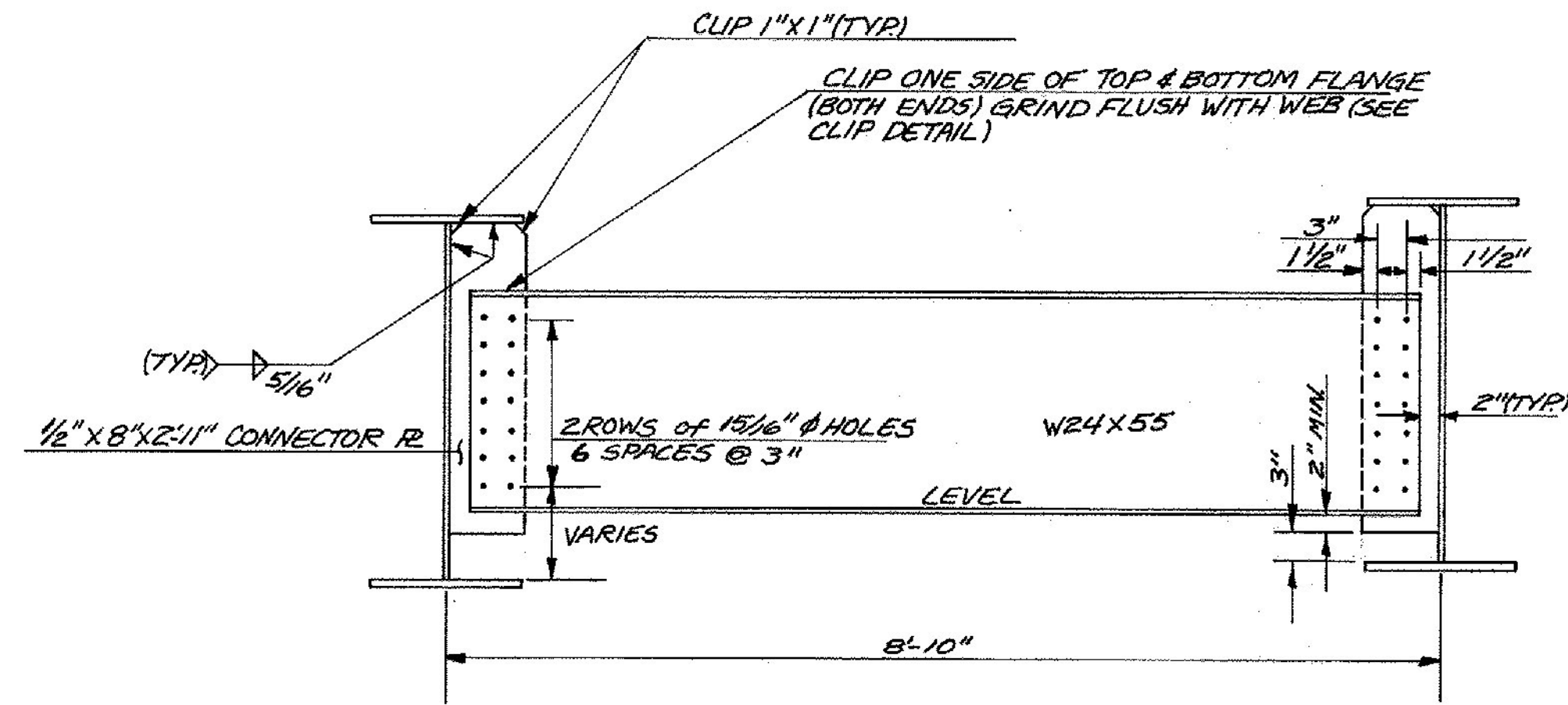
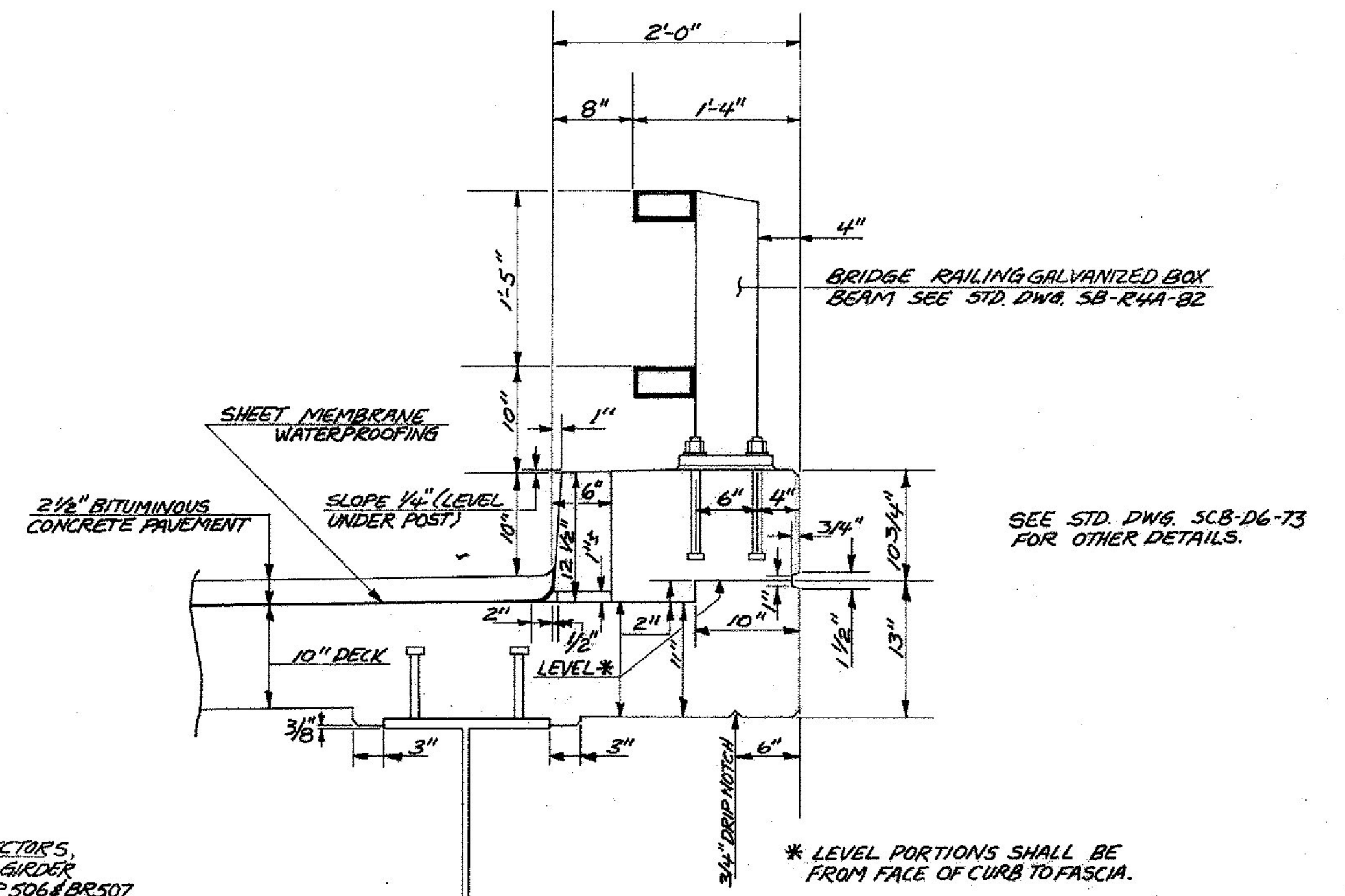


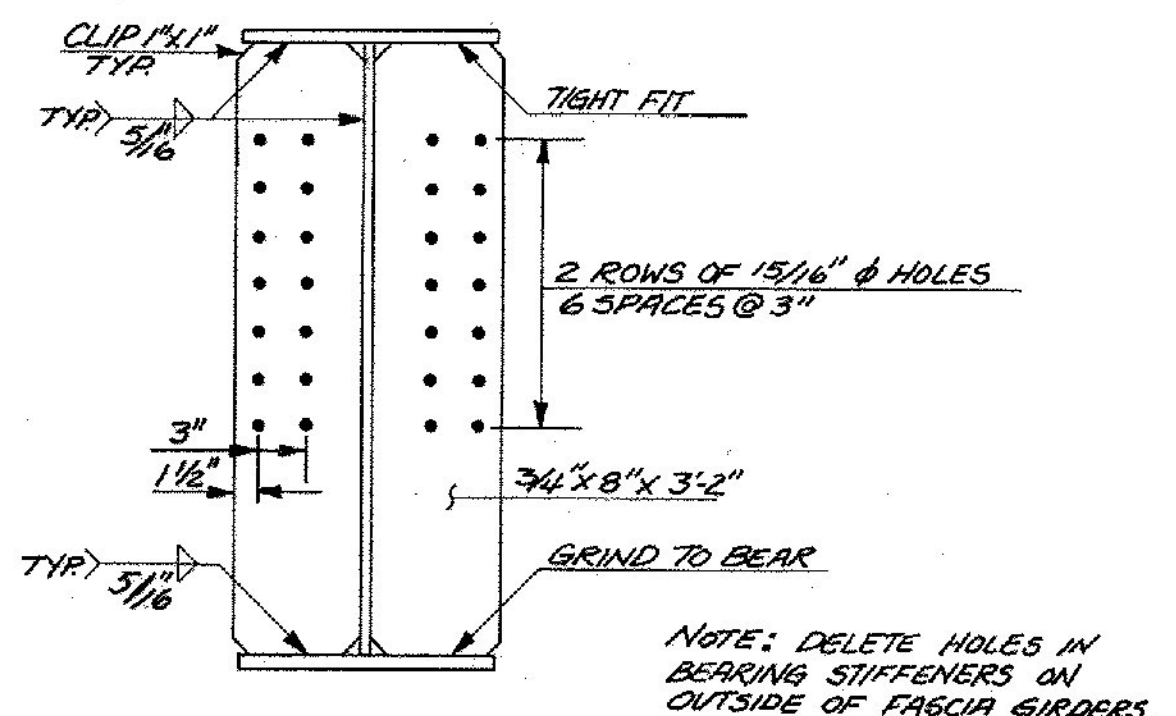
INTERMEDIATE CONNECTION PLATE
SCALE: 1"=1'-0"



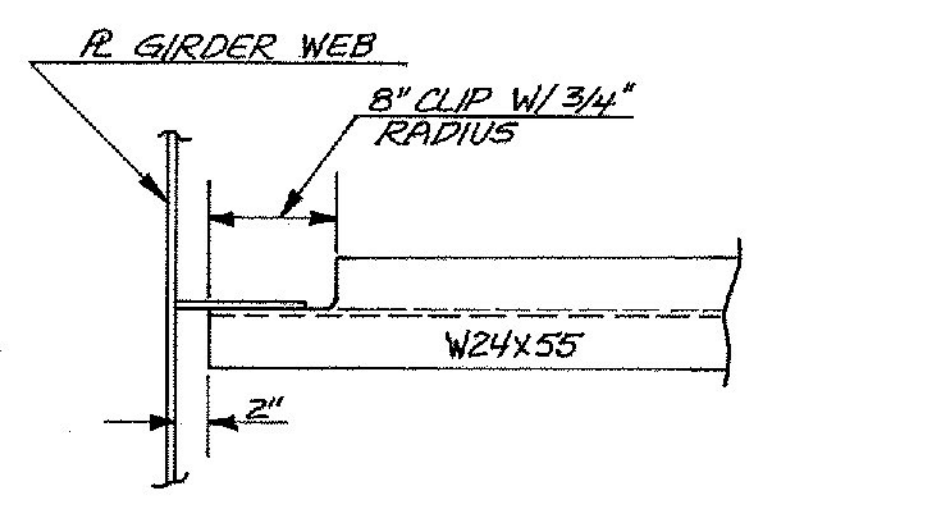
INTERMEDIATE DIAPHRAGM DETAILS
SCALE: 3/4"=1'-0"



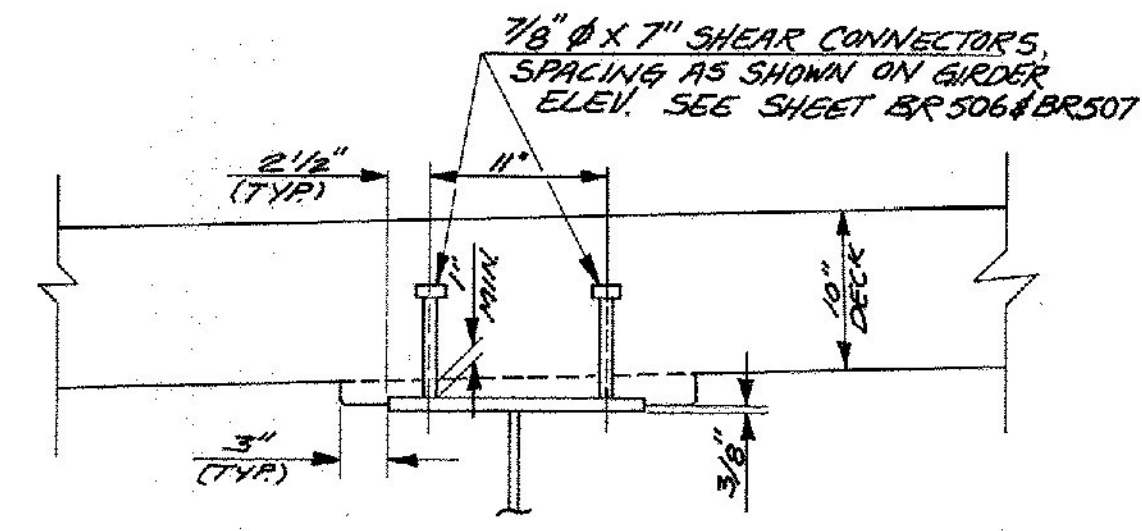
CURB AND RAIL DETAIL
SCALE: 1"=1'-0"



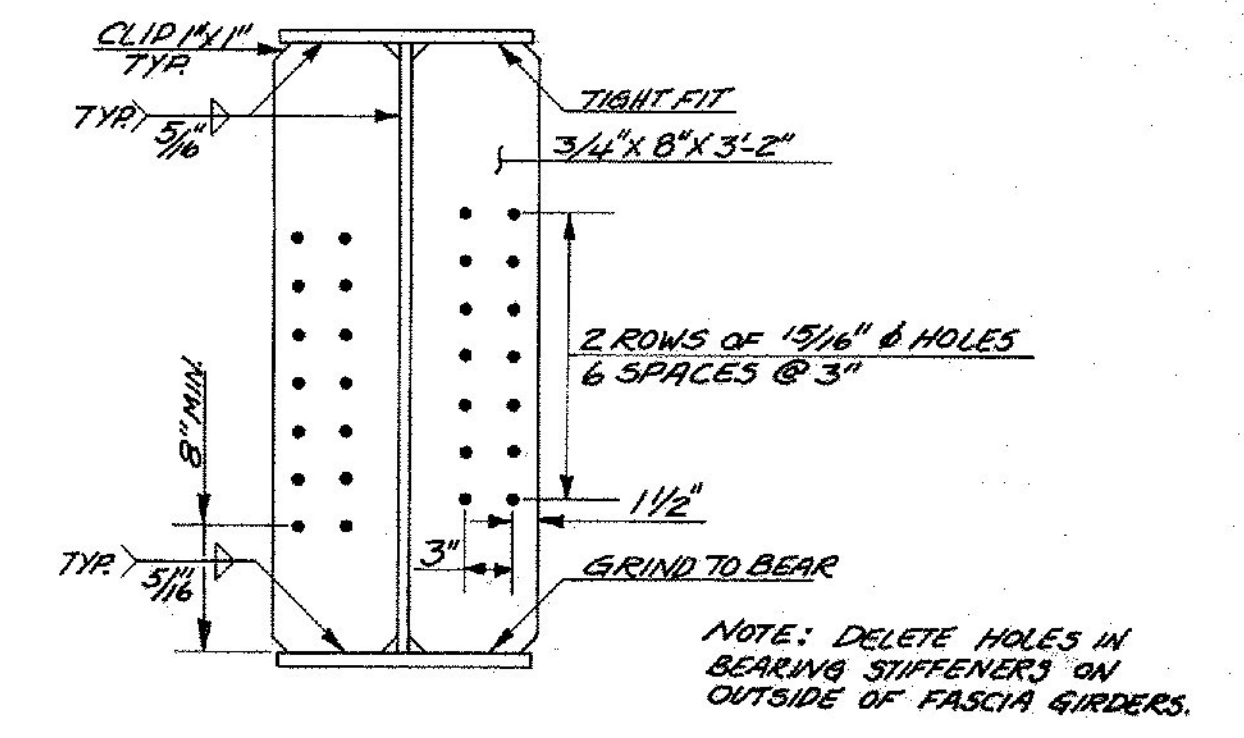
TYPICAL BEARING STIFFENER @ ABUTMENTS 143
SCALE: 1"=1'-0"



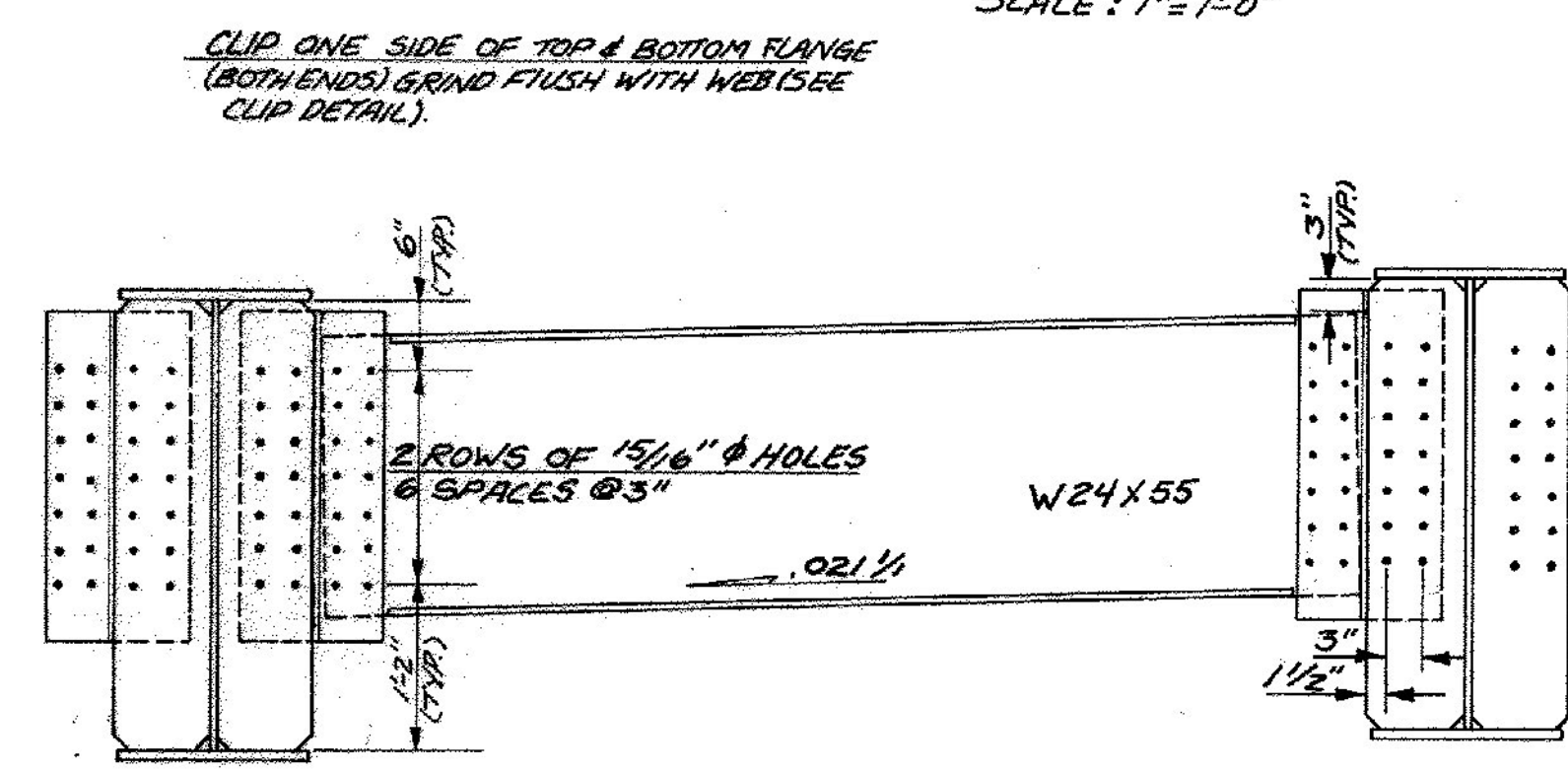
CLIP DETAIL FOR ROLLED BEAM
SCALE: 1"=1'-0"



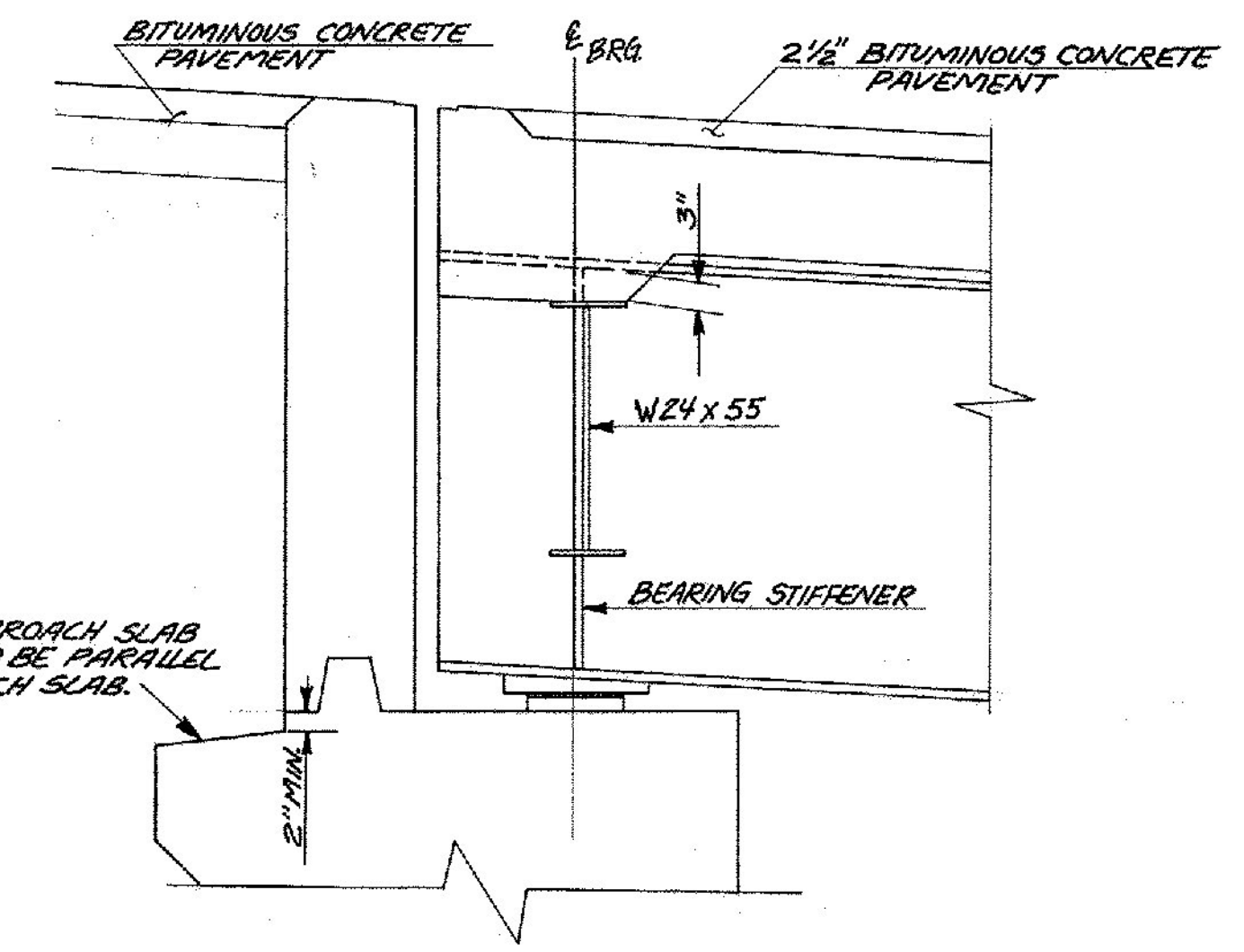
HAUNCH DETAIL
SCALE: 1"=1'-0"



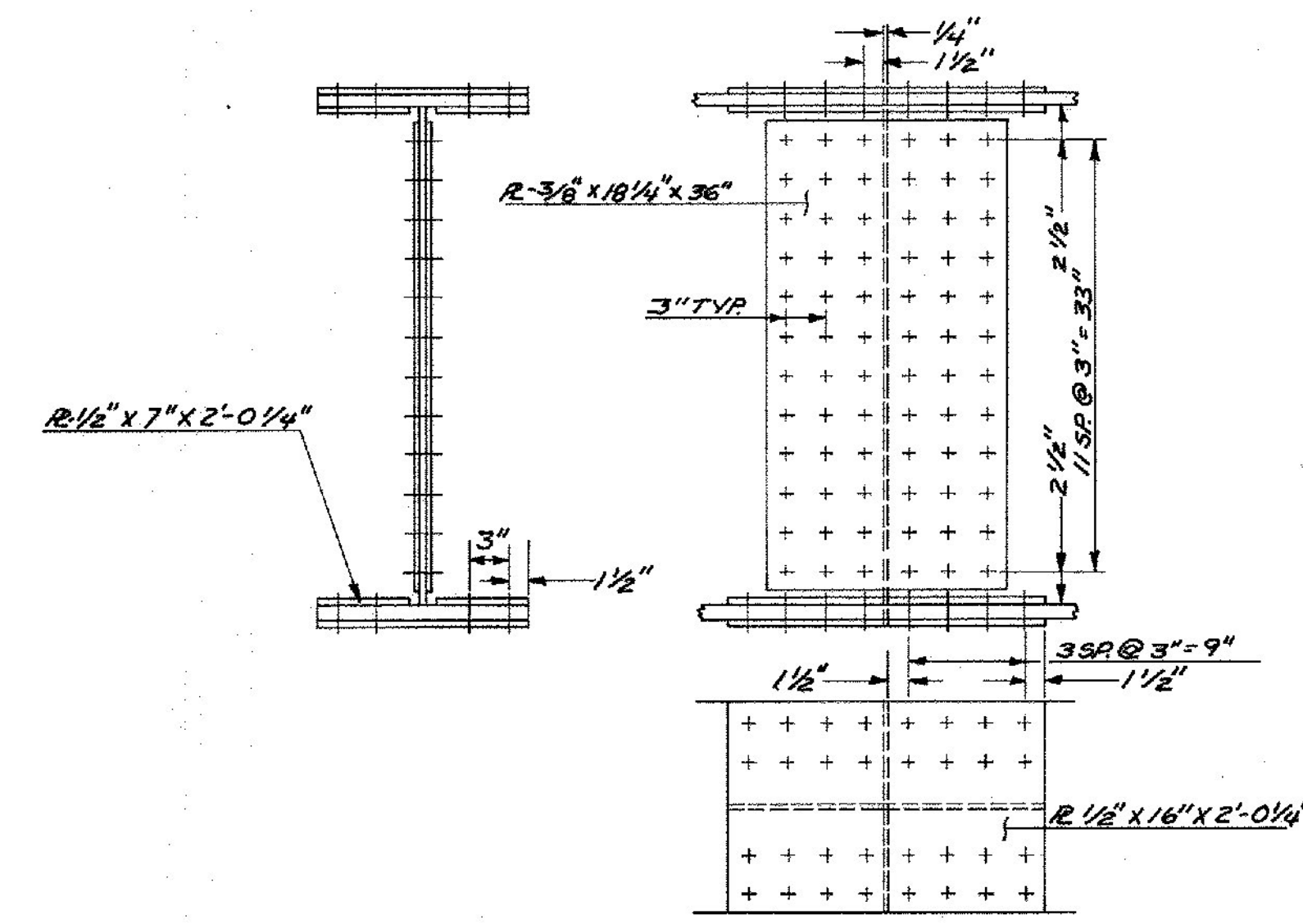
TYPICAL BEARING STIFFENER @ PIERS
SCALE: 1"=1'-0"



ABUTMENT # 143 DIAPHRAGM DETAILS
SCALE: 3/4"=1'-0"



BACKWALL DETAIL
SCALE: 3/4"=1'-0"



SPLICE PLATE DETAIL
SCALE: 1"=1'-0"

STATE OF VERMONT	
AGENCY OF TRANSPORTATION	
TOWN OF RUTLAND	Bridge No. 5
HIGHWAY NO. U.S. RTE. 4	Log Sta. _____
	Surv. Sta. 28 69/100
U.S. RTE. 4 OVER DORR DRIVE	
DIAPHRAGM AND CURB DETAILS	
Designed by J.B. MCCARTHY	Drawn by L.C. GATES
Checked by G.S. ROGERS	Bridge Design Supervisor
date 8/2/83	F.W. Bolkom date 12/83
PROJECT WEST RUTLAND - RUTLAND	PROJECT NO. F-EGC-F-020-1100
Bridge Sheet No. BR 509	Sheet 99 of 459